

**BILL OF MATERIAL**

Bar	No.	Size	Length	Shape	
h100(E)	12	#5	27'-11"	—	
h101(E)	12	#5	24'-8"	—	
h102(E)	8	#5	10'-3"	—	
h103(E)	8	#5	7'-0"	—	
v100(E)	38	#8	13'-5"	—	
v101(E)	38	#8	13'-0"	—	
t100(E)	101	#6	9'-5"	—	
w100(E)	22	#5	26'-6"	—	
Removal and Disposal of Unsuitable Material for Structures				Cu. Yd.	39
Concrete Structures				Cu. Yd.	47.8
Form Liner Textured Surface				Sq. Ft.	461
Reinforcement Bars, Epoxy Coated				Pound	5,520
Geocomposite Wall Drain				Sq. Yd.	46
Granular Backfill for Structures				Cu. Yd.	62
Ornamental Railing				Foot	50
Pipe Underdrains for Structures 4"				Foot	75
Granular Embankment, Special				Cu. Yd.	39
Structure Excavation				Cu. Yd.	105

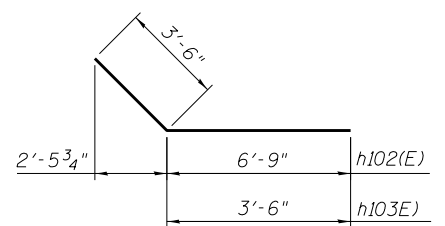
Bars indicated thus 11x2-#5 etc. indicates 11 lines of bars with 2 lengths per line.

**NOTES**

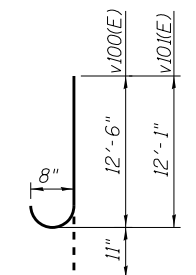
Wall stations, offsets and dimensions are measured at front face of wall.  
 All exposed corners shall have a 1" chamfer.  
 For General Notes, Wall Key Plan and U.S. Rte. 45 Profile, see Sheet 1.  
 For Typical Wall Details and Ornamental Railing see Sheet 2.

**BAR LAPS**

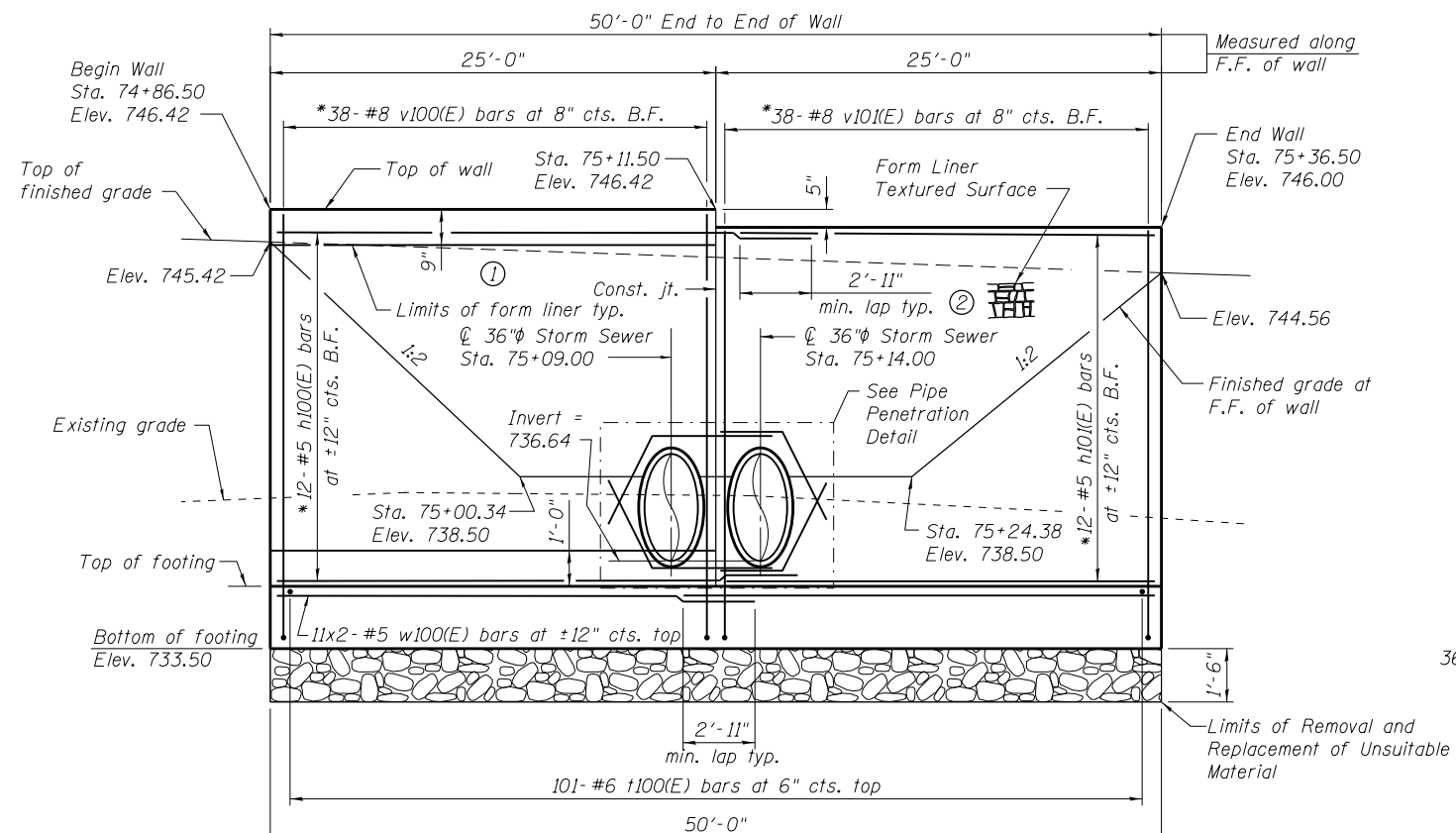
#5 bars - 2'-11"



**BARS h102(E) & h103(E)**

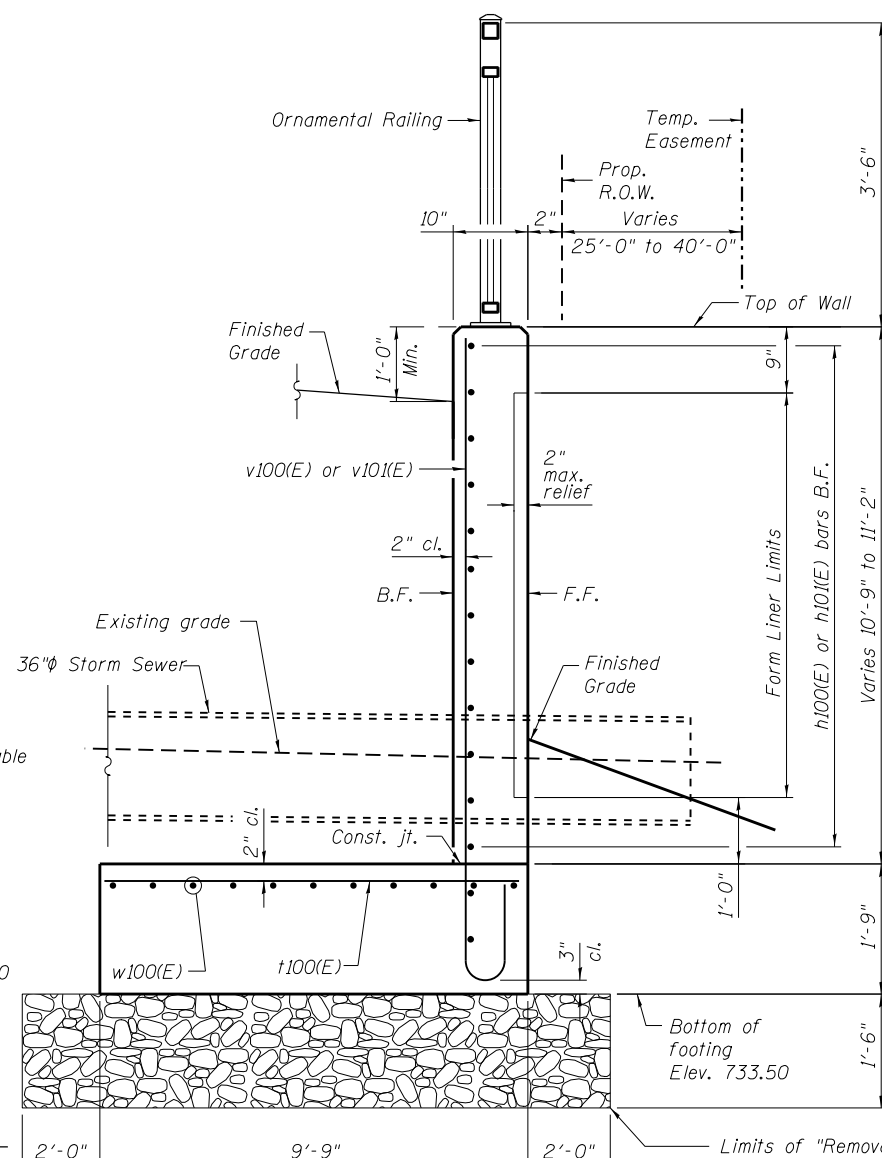


**BARS v100(E) & v101(E)**



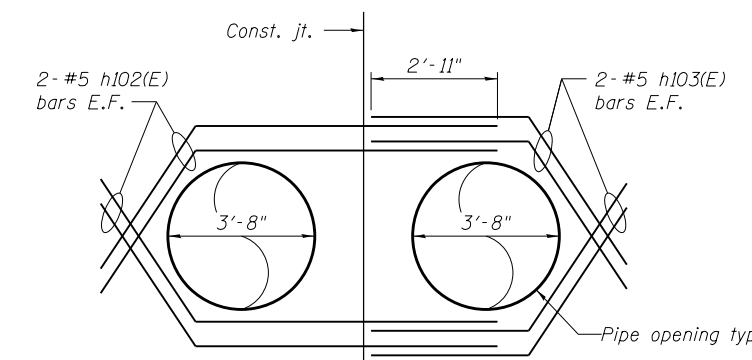
**ELEVATION**  
 (Looking West at F.F. of Wall)

\* Cut bars to clear opening, typ.



**TYPICAL SECTION THRU WALL**  
 Maximum Applied Bearing Pressure = 2.30 ksf

Limits of "Removal and Replacement of Unsuitable Material for Structures." Backfill with "Granular Embankment, Special" (compacted CA-6).

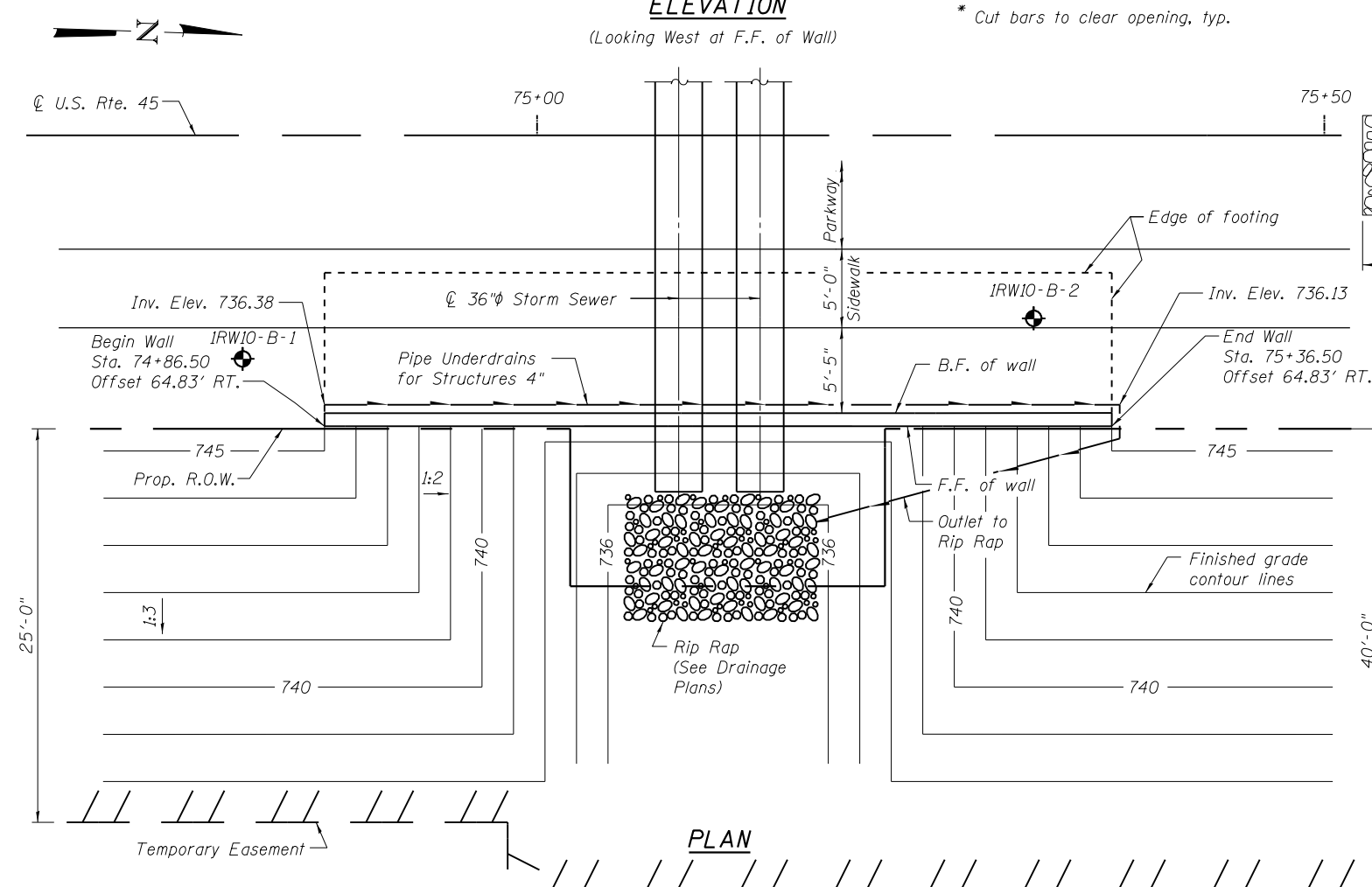


**PIPE PENETRATION DETAIL**

Trim vertical and horizontal bars to clear pipe openings

**LEGEND**

- ① = Panel No.
- ◆ = Soil Boring
- F.F. = Front Face
- B.F. = Back Face
- E.F. = Each Face



**PLAN**

100 S. WACKER DR.  
 10TH FLOOR  
 CHICAGO, IL 60606  
 TEL (312) 939-1000  
 FAX (312) 939-4998  
**URS**

FILE NAME = D160F05-SHT-Wall.10-1.dgn	USER NAME = Anthony.Plutz	DESIGNED - MAI	REVISD -	<b>STATE OF ILLINOIS DEPARTMENT OF TRANSPORTATION</b>	<b>RETAINING WALL NO. 10 - S.N. 016-2024 STA. 74 + 86.50 TO 75 + 36.50</b>	F.A.P. R.T.E. = 330	SECTION = 103R-3	COUNTY = COOK	TOTAL SHEETS = 932	SHEET NO. = 568	
	PLOT SCALE = 1/8" = 1'-0"	DRAWN - MAI	REVISD -			SHEET NO. 13 OF 41 SHEETS					
	PLOT DATE = 3/12/2013	CHECKED - PMH	REVISD -			CONTRACT NO. 60F05					
						ILLINOIS FED. AID PROJECT					