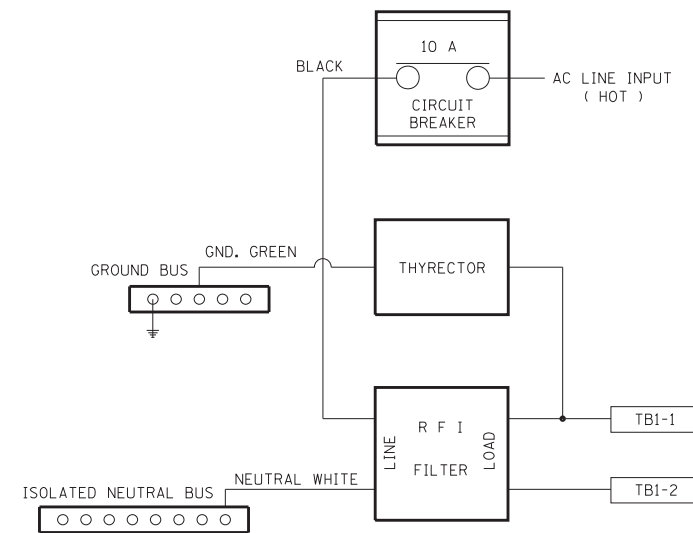
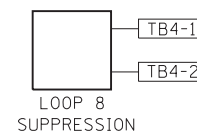
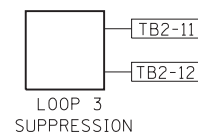
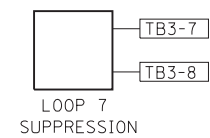
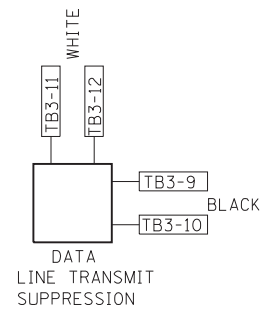
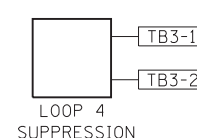
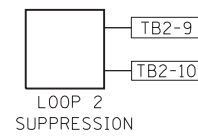
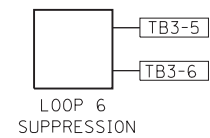
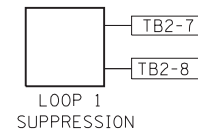
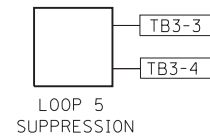
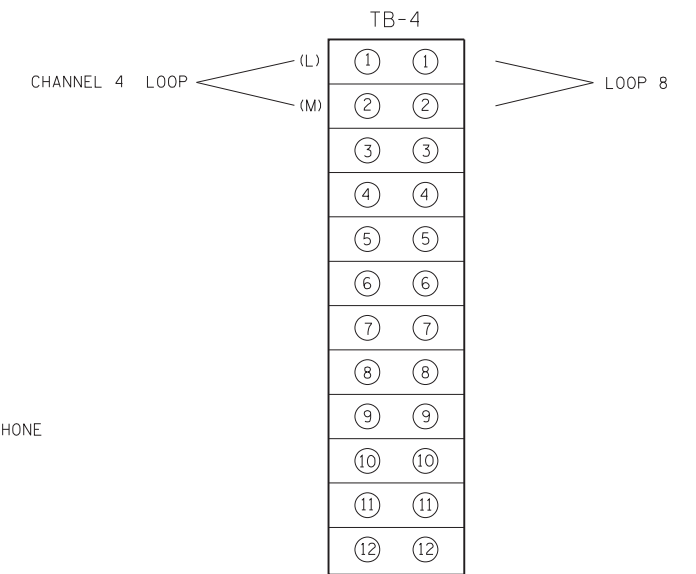
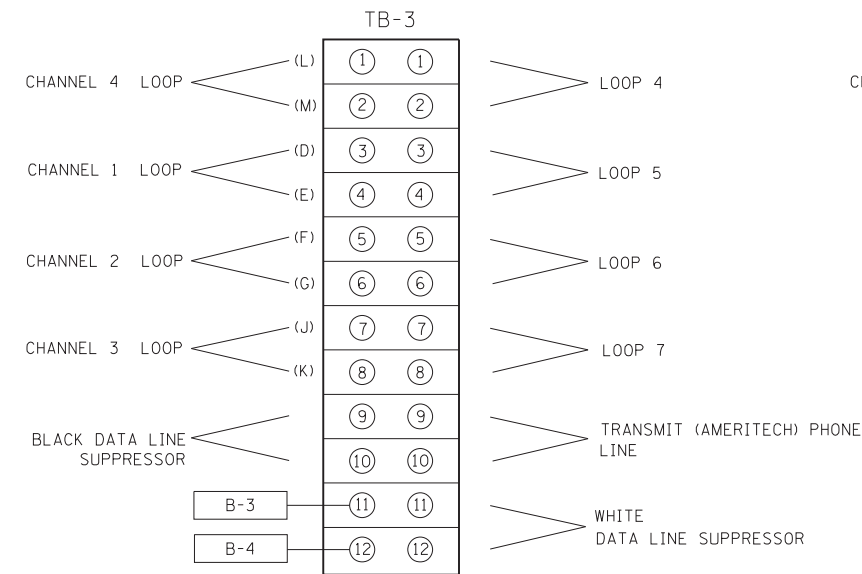
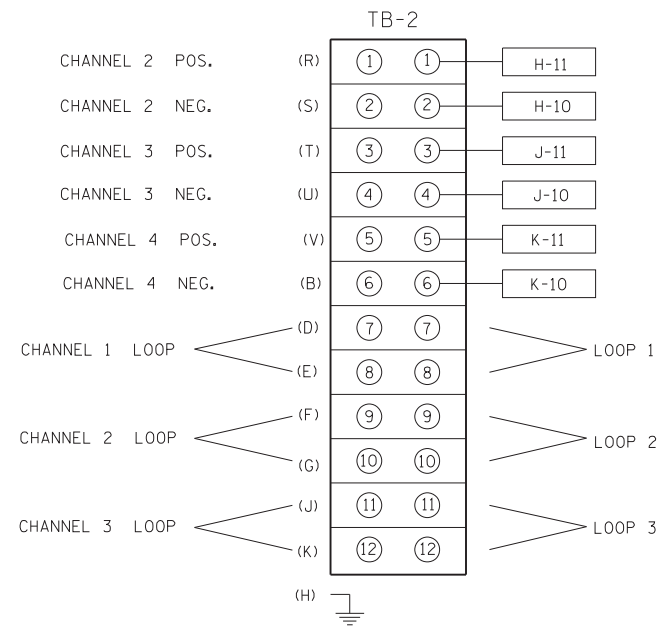
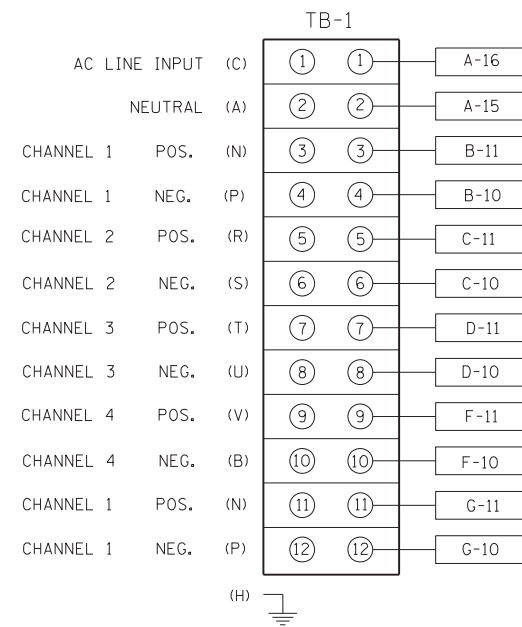
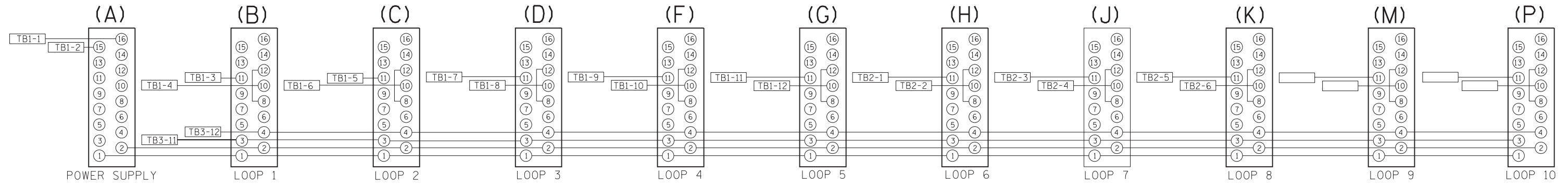


BACK VIEW OF TONE RACK



FILE NAME =	USER NAME = mezag	DESIGNED - R.L.	REVISED - 02-98
ca:\pw\work\p\idot\mezag\d0287541\TSCTYP.dgn		DRAWN - G.M.	REVISED - 05-99
	PLOT SCALE = 100.0000' / in.	CHECKED - R.L.	REVISED -
	PLOT DATE = 7/26/2012	DATE - 10-17-95	REVISED -

STATE OF ILLINOIS
DEPARTMENT OF TRANSPORTATION
TRAFFIC SYSTEMS CENTER

TYPE 3 CABINET
WIRING DIAGRAM

SCALE: NONE SHEET NO. OF SHEETS STA. TO STA.

F.A. RTE.	SECTION	COUNTY	TOTAL SHEETS	SHEET NO.
			404	360
CONTRACT NO.				
FED. ROAD DIST. NO. ILLINOIS FED. AID PROJECT				