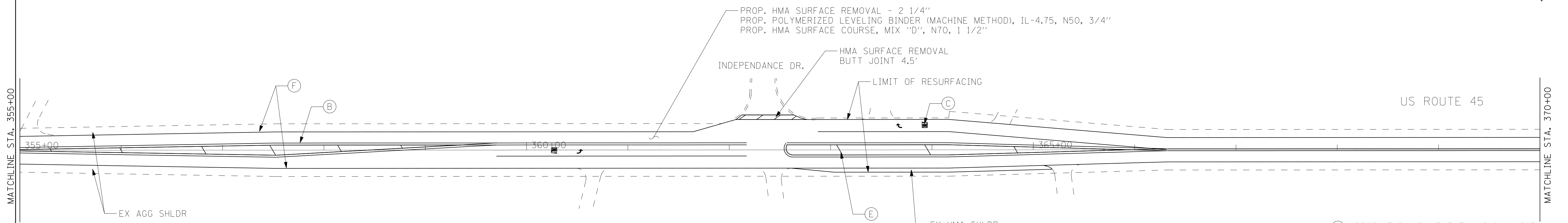


EXIST. CURVE C4
 PI STA. = 349+22.33
 $\Delta = 26^\circ 13' 51''$ (LT)
 D = 5' 08' 19"
 R = 1,115.00'
 T = 259.78'
 L = 510.46'
 E = 29.86'
 e = -----
 T.R. = -----
 S.E. RUN = -----
 P.C. STA. = 346+62.55
 P.T. STA. = 351+73.01



- (A) PROP. THPL. PAVEMENT MARKING LINE
6" WHITE - TURN LANE LINE (TYP)
- (B) PROP. THPL. PAVEMENT MARKING LINE
2 @ 4" YELLOW - 11" C-C (TYP)
- (C) 8' WHITE - LETTERS AND SYMBOLS (TYP)
(LEFT TURN ONLY, RIGHT TURN ONLY)
- (D) PROP. THPL. PAVEMENT MARKING LINE
24" WHITE SOLID LINE - STOP LINE (TYP)
- (E) PROP. THPL. PAVEMENT MARKING LINE
12" YELLOW - 75' C-C, 45° DIAGONAL (MIN. 5)
- (F) PROP. THPL. PAVEMENT MARKING LINE
4" WHITE - EDGE LINE (TYP)
- (G) PROP. THPL. PAVEMENT MARKING LINE
6" WHITE - DOTTED LINE
2' DASH, 6' SKIP (TYP)
- (H) PROP. THPL. PAVEMENT MARKING LINE
6" WHITE - CROSSWALK LINES (TYP)
- (I) PROP. THPL. PAVEMENT MARKING LINE
4" WHITE - SKIP DASH LINES
10' DASH, 30' SKIP (TYP)
- (J) PROP. THPL. PAVEMENT MARKING LINE
4" SINGLE YELLOW (TYP)
- (K) PROP. THPL. PAVEMENT MARKING LINE
12" WHITE - SCHOOL CROSSWALK LINES (TYP)
- (L) PROP. THPL. PAVEMENT MARKING LINE
12" WHITE (RIGHT) / 12" YELLOW (LEFT)
45° SHOULDER DIAGONALS

FILE NAME = \$FILEL\$	USER NAME = mrempfer	DESIGNED - RG	REVISED -	STATE OF ILLINOIS DEPARTMENT OF TRANSPORTATION	US ROUTE 45 PROPOSED ROADWAY PLAN			F.A.P. RTE. = 344	SECTION = 39-RS-4	COUNTY = LAKE	TOTAL SHEETS = 38	SHEET NO. = 14
	PLOT SCALE = 50.0000' / IN.	CHECKED - MGR	REVISED -					CONTRACT NO. 60N30				
PLOT DATE = 10/27/2011	DATE = 10/27/2011	REVISED -	SCALE:		SHEET NO.	OF SHEETS	STA.	TO STA.	ILLINOIS FED. AID PROJECT			