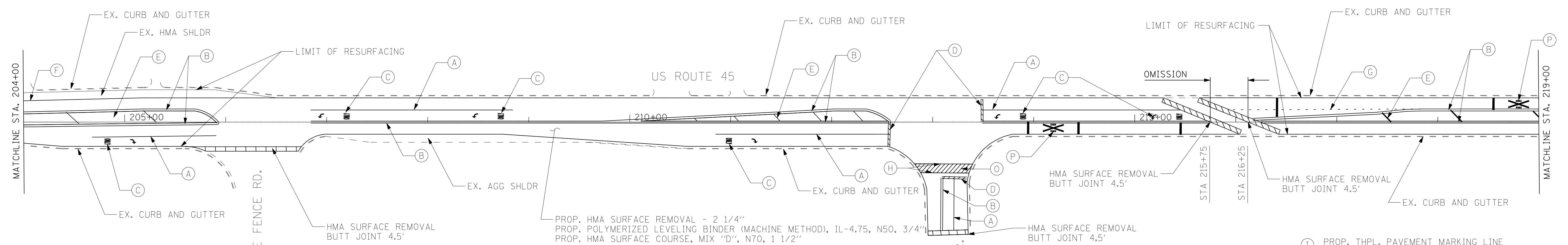
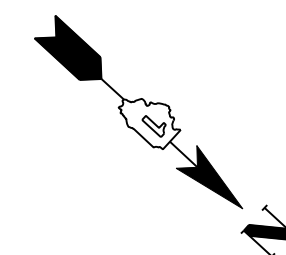


PROP. HMA SURFACE REMOVAL - 2 1/4"
 PROP. POLYMERIZED LEVELING BINDER (MACHINE METHOD), IL-4.75, N50, 3/4"
 PROP. HMA SURFACE COURSE, MIX "D", N70, 1 1/2"



PROP. HMA SURFACE REMOVAL - 2 1/4"
 PROP. POLYMERIZED LEVELING BINDER (MACHINE METHOD), IL-4.75, N50, 3/4"
 PROP. HMA SURFACE COURSE, MIX "D", N70, 1 1/2"

- (A) PROP. THPL. PAVEMENT MARKING LINE
6" WHITE - TURN LANE LINE (TYP)
- (B) PROP. THPL. PAVEMENT MARKING LINE
2 @ 4" YELLOW - 11" C-C (TYP)
- (C) 8' WHITE - LETTERS AND SYMBOLS (TYP)
(LEFT TURN ONLY, RIGHT TURN ONLY)
- (D) PROP. THPL. PAVEMENT MARKING LINE
24" WHITE SOLID LINE - STOP LINE (TYP)
- (E) PROP. THPL. PAVEMENT MARKING LINE
12" YELLOW - 75' C-C, 45° DIAGONAL (MIN. 5)
- (F) PROP. THPL. PAVEMENT MARKING LINE
4" WHITE - EDGE LINE (TYP)
- (G) PROP. THPL. PAVEMENT MARKING LINE
6" WHITE - DOTTED LINE
2' DASH, 6' SKIP (TYP)
- (H) PROP. THPL. PAVEMENT MARKING LINE
6" WHITE - CROSSWALK LINES (TYP)
- (I) PROP. THPL. PAVEMENT MARKING LINE
4" WHITE - SKIP DASH LINES
10' DASH, 30' SKIP (TYP)
- (L) PROP. THPL. PAVEMENT MARKING LINE
12" WHITE (RIGHT) / 12" YELLOW (LEFT)
45° SHOULDER DIAGONALS
- (O) PROP. THPL. PAVEMENT MARKING LINE
12" WHITE LINE - BICYCLE CROSSWALK LINES (TYP)
- (P) PROP. THPL. LETTERS AND SYMBOLS (TYP)
RAILROAD CROSSING

| | | | |
|--------------------------|-----------------------------|-------------------|-----------|
| FILE NAME = \$FILEL\$ | USER NAME = mremper | DESIGNED - RG | REVISED - |
| | | DRAWN - RG | REVISED - |
| | PLOT SCALE = 50.0000' / IN. | CHECKED - MGR | REVISED - |
| | PLOT DATE = 10/27/2011 | DATE - 10/27/2011 | REVISED - |

STATE OF ILLINOIS
DEPARTMENT OF TRANSPORTATION

US ROUTE 45 (OLD HALF DAY ROAD)
PROPOSED ROADWAY PLAN

SCALE: SHEET NO. OF SHEETS STA. TO STA.

| | | | | |
|---------------------------|---------|--------|--------------|-----------|
| F.A.U. RTE. | SECTION | COUNTY | TOTAL SHEETS | SHEET NO. |
| 3502 | 49-RS-6 | LAKE | 33 | 9 |
| CONTRACT NO. 60N31 | | | | |
| ILLINOIS FED. AID PROJECT | | | | |