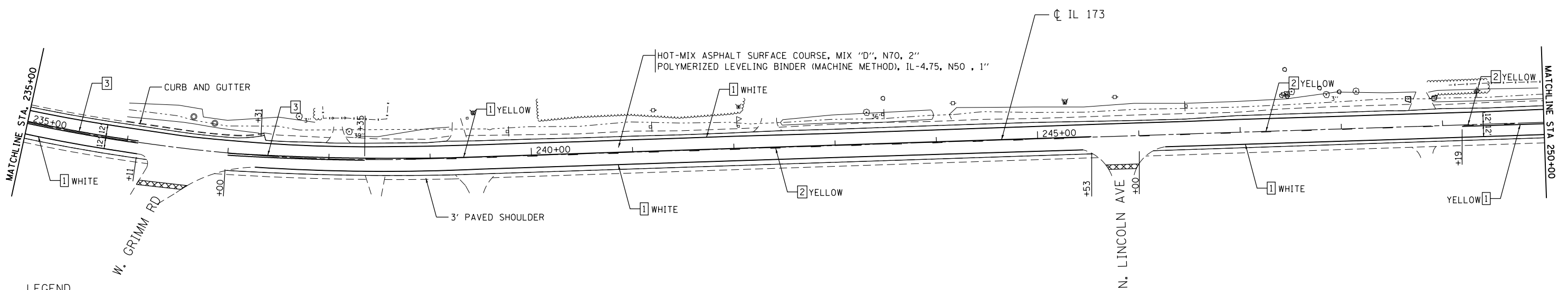
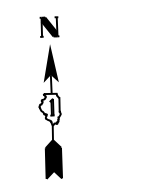


XXXXXX HOT-MIX ASPHALT SURFACE REMOVAL - BUTT JOINT



LEGEND

- 1 THERMOPLASTIC PAVEMENT MARKING - LINE 4" SOLID LINE
- 2 THERMOPLASTIC PAVEMENT MARKING - LINE 4" SKIP DASH
- 3 THERMOPLASTIC PAVEMENT MARKING - LINE 4" YELLOW DOUBLE CENTER LINE
- 4 THERMOPLASTIC PAVEMENT MARKING - LINE 6" WHITE
- 5 THERMOPLASTIC PAVEMENT MARKING - LINE 6" WHITE 2' DASH, 6' SKIP
- 6 THERMOPLASTIC PAVEMENT MARKING - LINE 8" WHITE
- 7 THERMOPLASTIC PAVEMENT MARKING - LINE 12" YELLOW @ 45 DEGREE
- 8 THERMOPLASTIC PAVEMENT MARKING - LINE 24" WHITE
- 9 THERMOPLASTIC PAVEMENT MARKING - LETTERS & SYMBOLS

GR2EF 8501 N. Higgins Road Suite 280
Chicago, Illinois 60631
(773) 399-0112

USER NAME = 1485	DESIGNED - EF	REVISED -
DRAWN - EF	CHECKED - RS	REVISED -
PLOT SCALE = 100.0000' / 1" =	DATE - 12-20-2012	REVISED -
PLOT DATE = 12/11/2012		

**STATE OF ILLINOIS
DEPARTMENT OF TRANSPORTATION**

**IL 173 (ROSECRANS RD) N. ORCHARD STREET TO DEEP LAKE ROAD
ROADWAY AND PAVEMENT MARKING PLANS**

SCALE: 1"=50' SHEET NO. 6 OF 7 SHEETS STA. 220+00 TO STA. 250+00

F.A.P. RTE. 303	SECTION 135-RS-5	COUNTY LAKE	TOTAL SHEETS 25	SHEET NO. 11
CONTRACT NO. 60N61				
ILLINOIS FED. AID PROJECT				