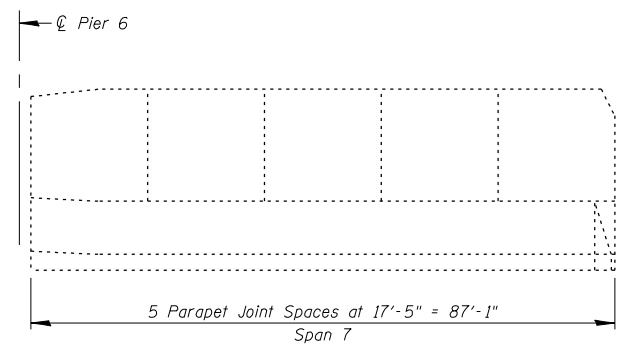
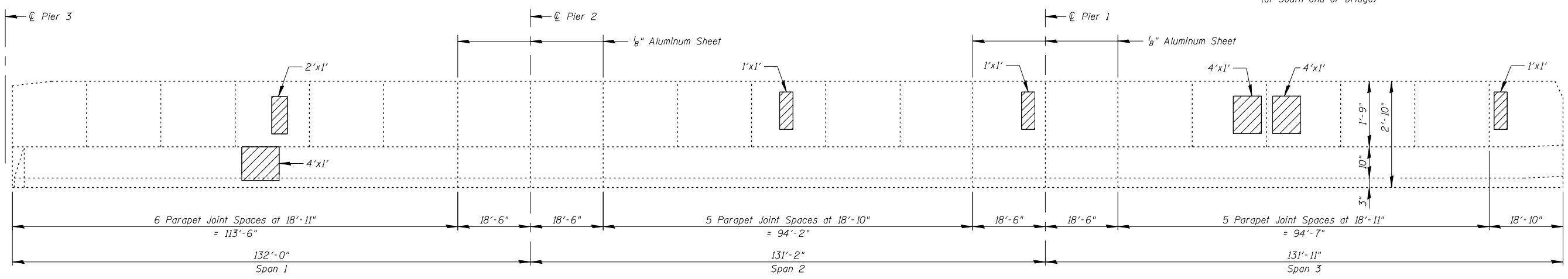


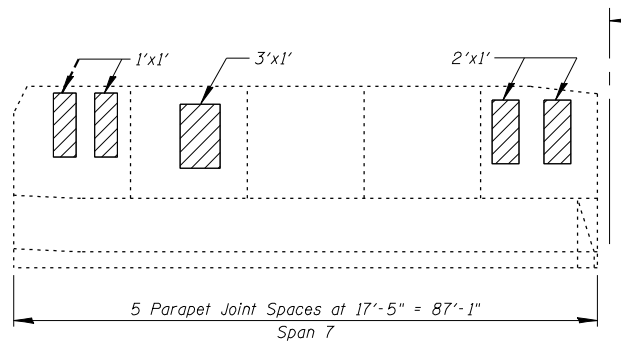
INSIDE ELEVATION OF EAST PARAPET
(at North end of bridge)



INSIDE ELEVATION OF EAST PARAPET
(at South end of bridge)



INSIDE ELEVATION OF WEST PARAPET
(at North end of bridge)



INSIDE ELEVATION OF WEST PARAPET
(at South end of bridge)

Note:
Patches are shown enlarged for clarity

LEGEND
 Structural Repair of Concrete
(Depth Equal to or Less Than 5 inches)
(Inside Face of Parapet)

BILL OF MATERIAL

DESCRIPTION	UNIT	TOTAL
Structural Repair of Concrete (Depth Equal to or Less Than 5 inches)	Sq Ft	108

FILE NAME = :I:\103103.1-55 over des planes\structural\cead sheets\160R62-16-per-repairs-NB.dgn

CHRISTIAN-ROGE & ASSOCIATES, INC.

USER NAME = IDOT	DESIGNED - J.C.N./B.N.S./J.W.	REVISED -
PLOT SCALE = 100.0000' / IN.	CHECKED - B.N.S./J.W.	REVISED -
PLOT DATE = 1/18/2013	DRAWN - F.M.	REVISED -
	DATE - JANUARY 16, 2013	REVISED -

**STATE OF ILLINOIS
DEPARTMENT OF TRANSPORTATION**

**PARAPET REPAIR-APPROACH SPANS-NORTHBOUND
STRUCTURE NO. 099-0009**

SHEET NO. S16 OF S60 SHEETS

F.A.I. RTE. 55	SECTION 87B, D-BR-1	COUNTY WILL	TOTAL SHEETS 106	SHEET NO. 55
			CONTRACT NO. 60R62	
ILLINOIS FED. AID PROJECT				