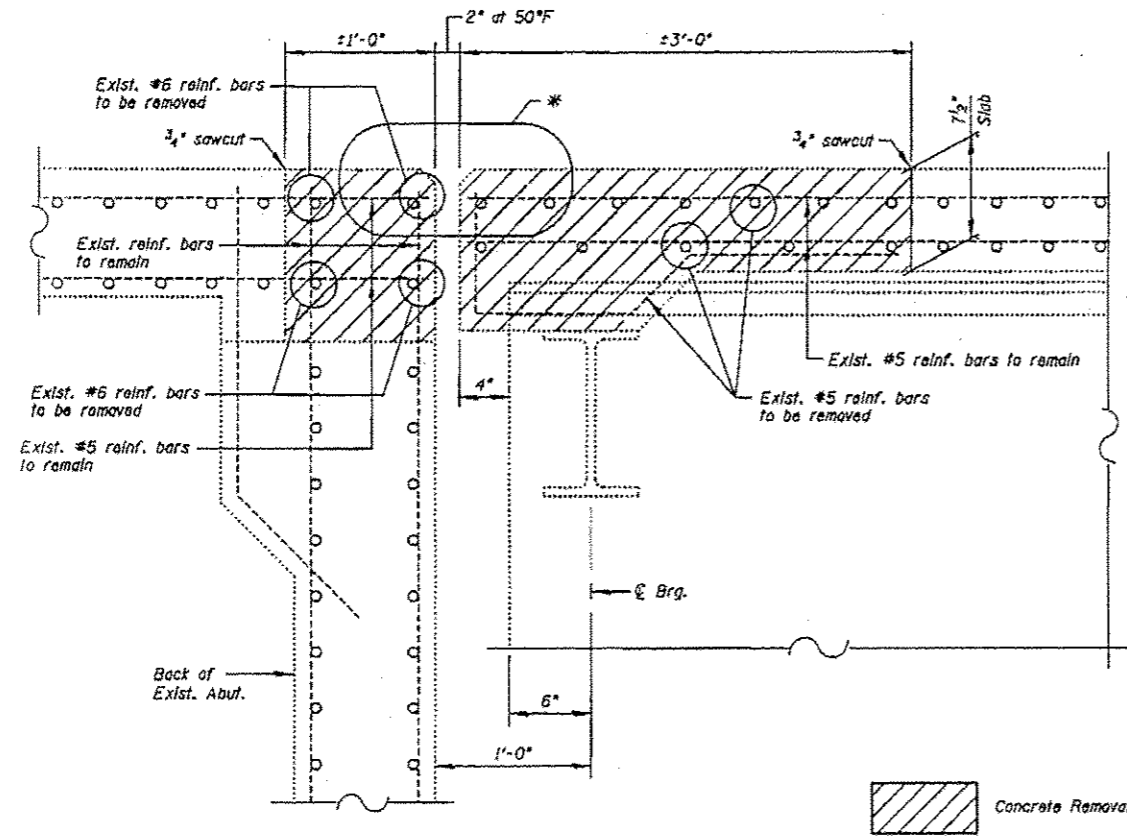
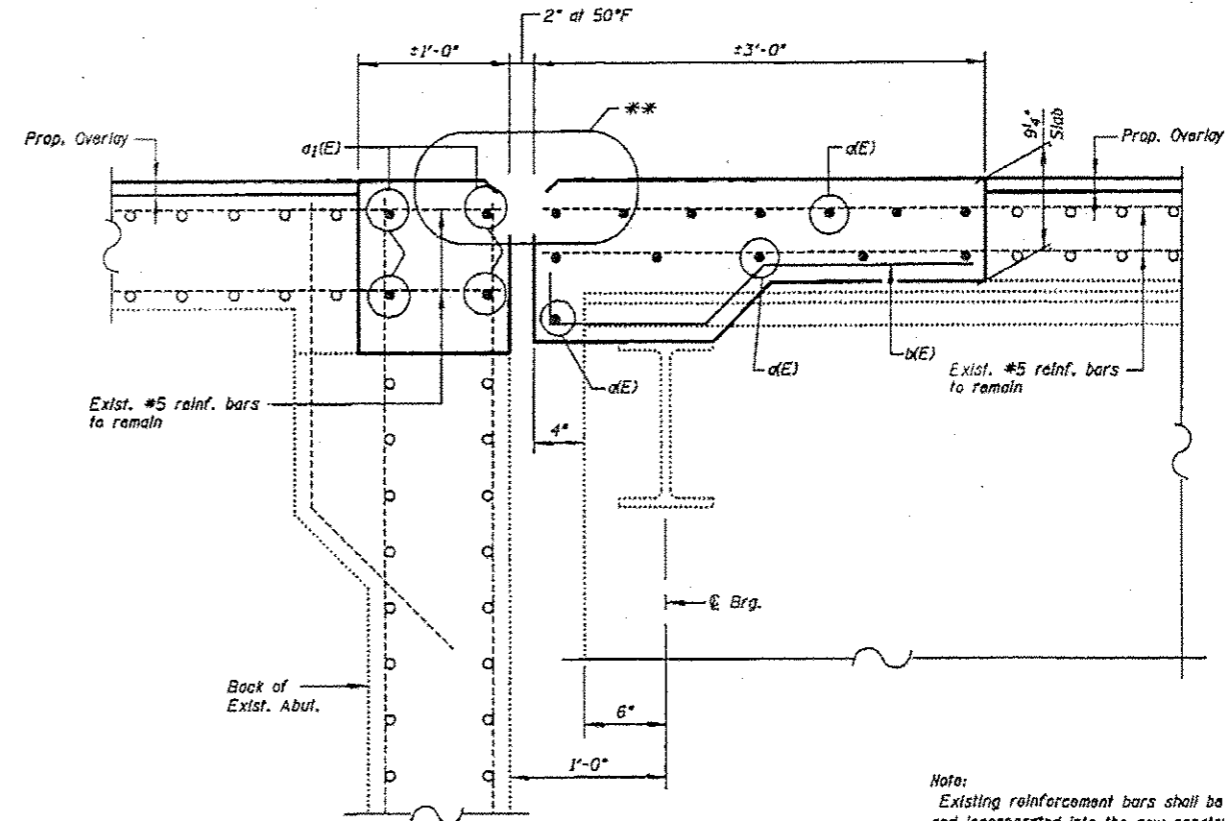


*Existing Silicone Joint Sealer to be removed & replaced with Prefomed Joint Strip Seal. Cost included with Concrete Removal

**New 2" Prefomed Joint Strip Seal. See Sht. S60 for details



EXISTING
SECTION B-B
(showing removal)



PROPOSED
SECTION B-B

Note:
Existing reinforcement bars shall be cleaned and incorporated into the new construction. Cost included with Concrete Removal

FILE NAME = I:\183103-1-65 over Dos Plains\Structural\CADD Sheets\DIERR2-23-jt-reconst-NB-SB-Abut-ds.dgn

CHRISTIAN-ROGE & ASSOCIATES, INC.

USER NAME = IDOT	DESIGNED - J.C.M./B.N.S./J.W.	REVISED -
PLOT SCALE = 50.0000' / 1" IN	CHECKED - B.N.S./J.W.	REVISED -
PLOT DATE = 3/19/2013	DRAWN - P.M.	REVISED -
	DATE - MARCH 20, 2013	REVISED -

STATE OF ILLINOIS
DEPARTMENT OF TRANSPORTATION

EXPANSION JOINT RECONSTRUCTION AT NORTH & SOUTH ABUTMENTS-II
STRUCTURE NO'S. 099-0008 & 099-0009

SHEET NO. S23 OF S60 SHEETS

F.A.I. RITE: 55	SECTION: 07B, D-0R-1	COUNTY: WILL	TOTAL SHEETS: 106	SHEET NO.: 62
			CONTRACT NO. 60R62	
ILLINOIS FED. AID PROJECT				