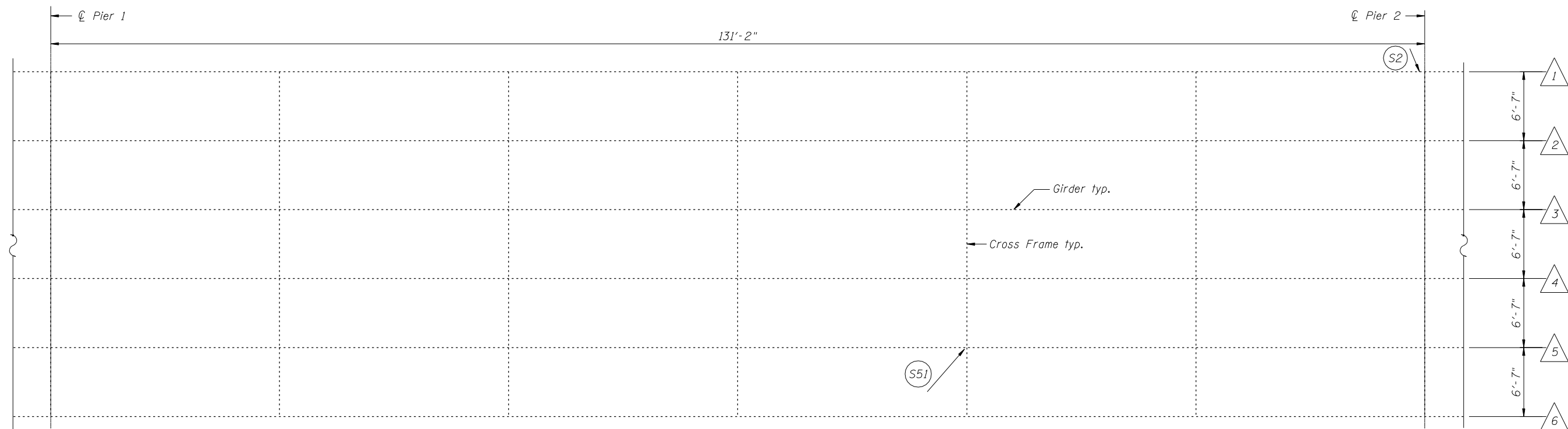


FRAMING PLAN - SPAN 1

*See Structural Steel Repair Tables on Sht's. S42 & S44

LEGEND:

- = *Item defect number
- △ = Girder number



FRAMING PLAN - SPAN 2

FILE NAME = I:\103103.1+55 over des planes\Structural\CADD Sheets\160R62-32-SB-Framing_Plan-Ldgn

FILE NAME =	USER NAME == IDOT	DESIGNED - J.C.N./B.N.S./J.W.	REVISED -
		CHECKED - B.N.S./J.W.	REVISED -
	PLOT SCALE = 0:2.0000 '1' / IN.	DRAWN - F.M.	REVISED -
	PLOT DATE == 1/18/2013	CHECKED - JANUARY 16, 2013	REVISED -

**STATE OF ILLINOIS
DEPARTMENT OF TRANSPORTATION**

**FRAMING PLAN - SOUTHBOUND-I
STRUCTURE NO. 099-0008**

SHEET NO. S32 OF S60 SHEETS

F.A.I. RTE.	SECTION	COUNTY	TOTAL SHEETS	SHEET NO.
55	87B, D-BR-I	WILL	106	71
CONTRACT NO. 60R62				

ILLINOIS FED. AID PROJECT