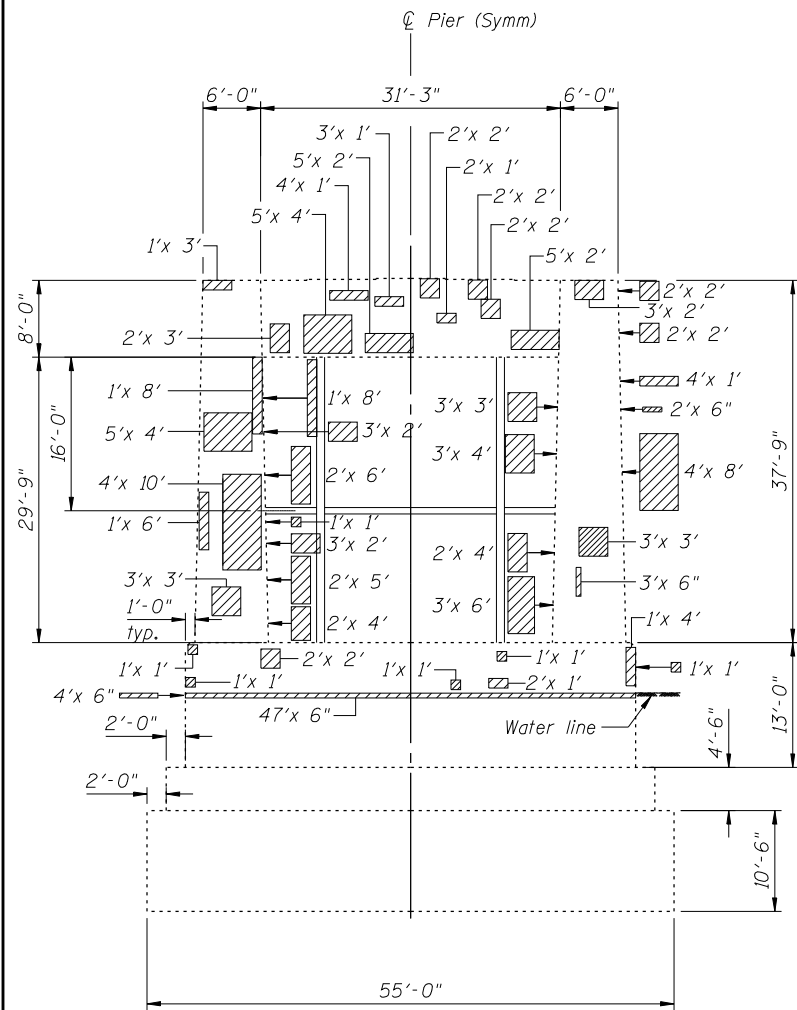
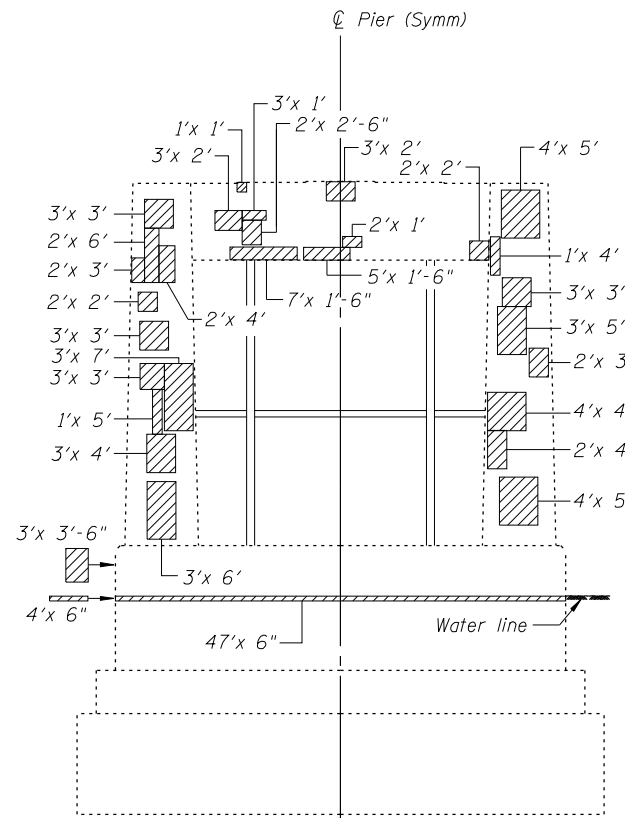


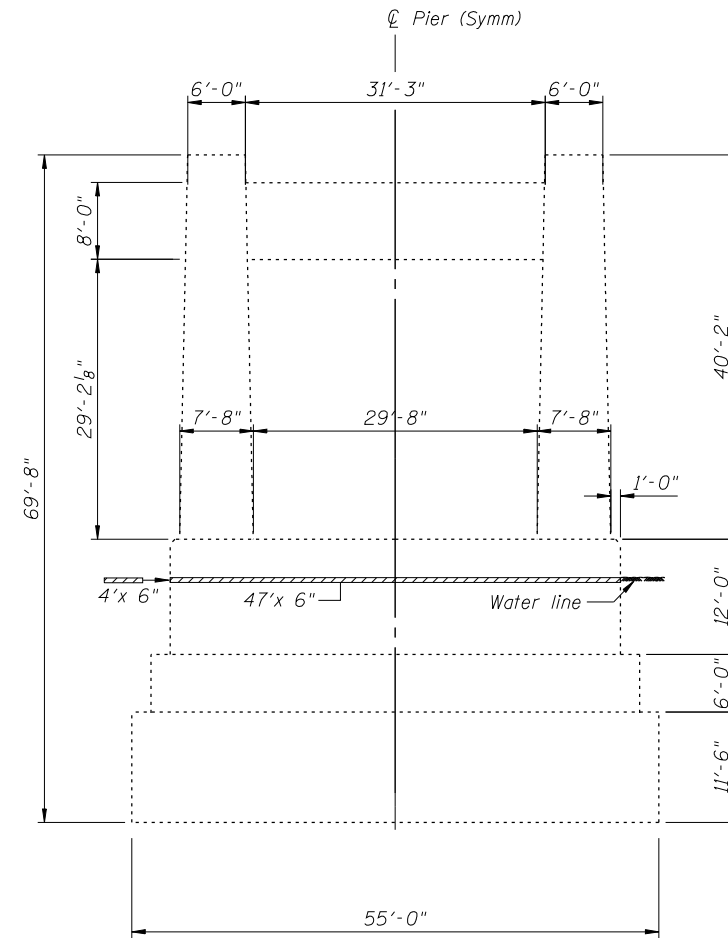
FILE NAME = :I:\03103.1-55 over des planes\structural\cadd sheets\160R62-55-pier-3-4-5B.dgn



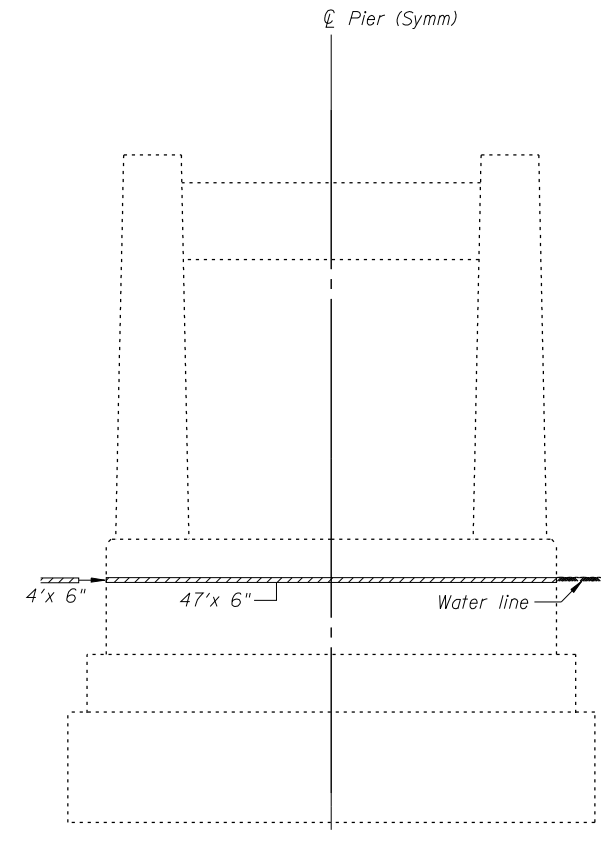
**PIER 3 NORTH ELEVATION**



**PIER 3 NORTH ELEVATION**




**PIER 4 NORTH ELEVATION**



**PIER 4 NORTH ELEVATION**

**LEGEND:**

 Structural Repair of Concrete  
(Depth Equal to or Less Than 5 Inches)

**BILL OF MATERIAL**

DESCRIPTION	UNIT	TOTAL
Structural Repair of Concrete (Depth Equal to or Less Than 5 Inches)	Sq Ft	674



USER NAME = IDOT	DESIGNED - J.C.N./B.N.S./J.W.	REVISED -
	CHECKED - B.N.S./J.W.	REVISED -
PLOT SCALE = 0:2.0000 '1' / IN.	DRAWN - F.M.	REVISED -
PLOT DATE = 1/18/2013	DATE - JANUARY 16, 2013	REVISED -

**STATE OF ILLINOIS  
DEPARTMENT OF TRANSPORTATION**

**PIERS 3 & 4 REPAIRS - SOUTHBOUND  
STRUCTURE NO. 099-0008**

SHEET NO. S55 OF S60 SHEETS

F.A.I. RTE. 55	SECTION 87B, D-BR-1	COUNTY WILL	TOTAL SHEETS 106	SHEET NO. 91
CONTRACT NO. 60R62				
ILLINOIS FED. AID PROJECT				