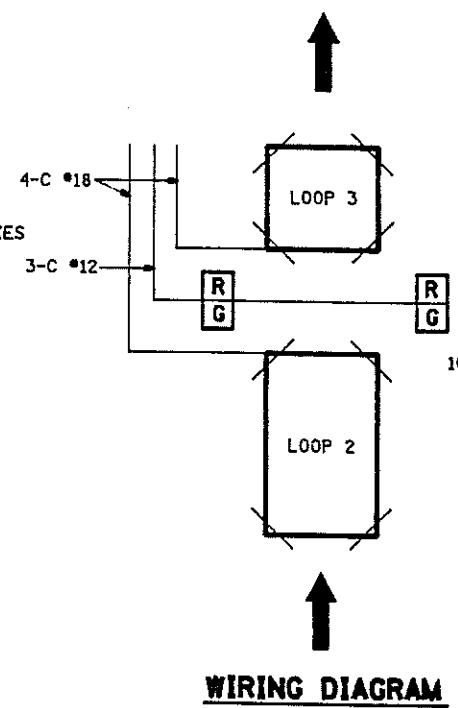
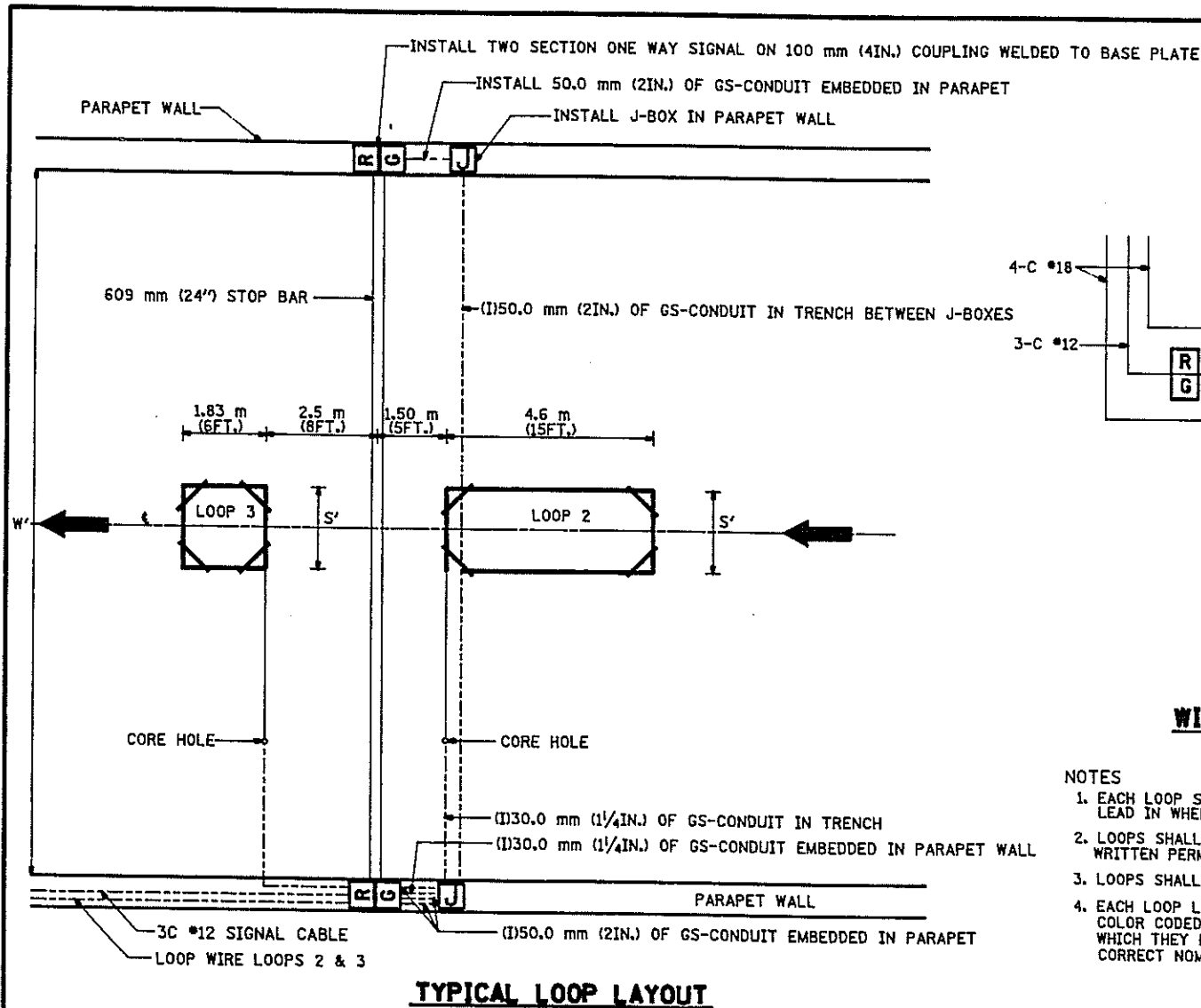


STATE	SECTION	COUNTY	TOTAL SHEETS	SHEET NO.
ILLINOIS	012-0558R		107	99D
STA.	TO STA.	ILLINOIS FED. AID PROJECT		
FED. ROAD DIST. NO.	CONTRACT 60V58			



- NOTES**
1. EACH LOOP SHALL BE SPLICED TO A 4-C NO.18 TWISTED SHIELDED LEAD IN WHEN 45 m (150FT.) OR MORE FROM CABINET.
 2. LOOPS SHALL BE SPLICED IN HANDHOLES OR J-BOX ONLY, OTHERWISE WRITTEN PERMISSION SHALL BE OBTAINED FROM TSC ENGINEER.
 3. LOOPS SHALL NOT BE SPLICED IN SERIES.
 4. EACH LOOP LEAD IN SHALL BE IDENTIFIED AND PERMANENTLY COLOR CODED IN THE COREHOLE, HANDHOLE & CABINETS THRU WHICH THEY ENTER OR PASS AND TAGGED WITH THE CORRECT NOMENCLATURES.

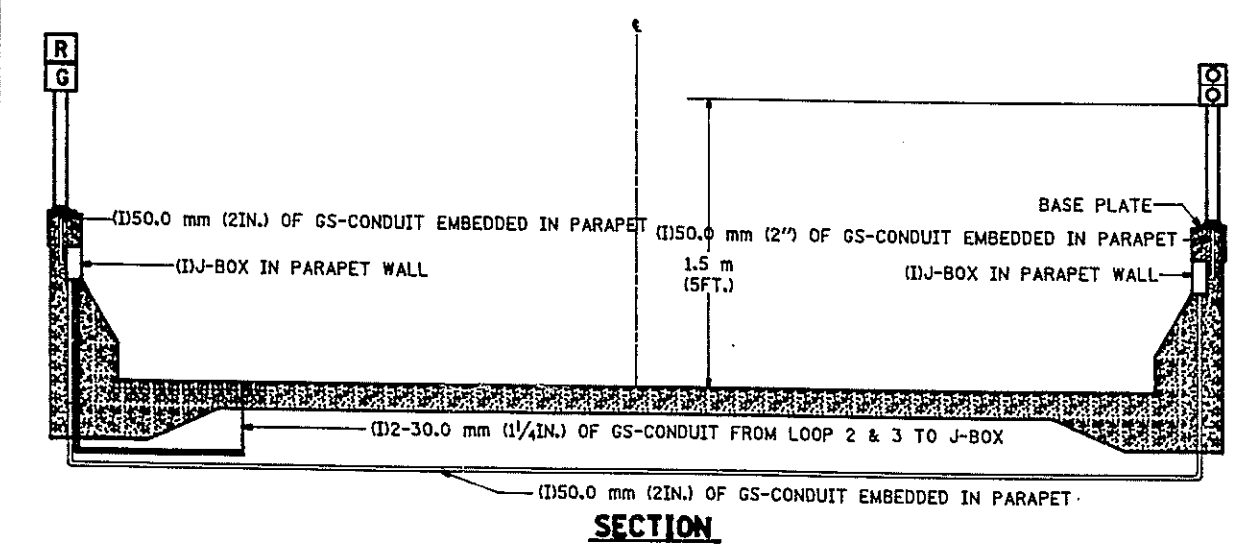
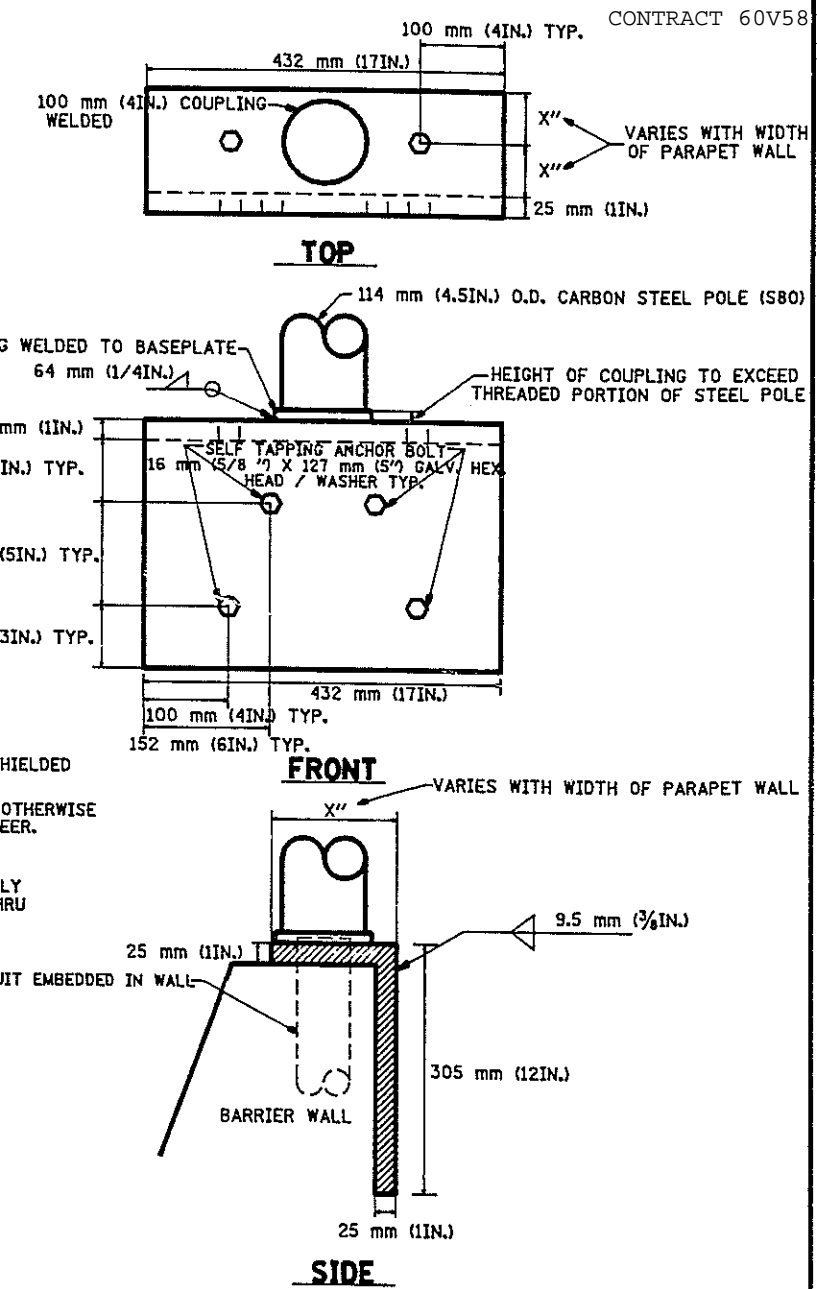


TABLE 1

WIDTH (W)	WIDTH (S)
3.7 m (12')	2.5 m (8')
4.0 m (13')	2.8 m (9')
4.3 m (14')	3.1 m (10')
4.6 m (15')	3.4 m (11')
4.9 m (16')	3.7 m (12')
5.2 m (17')	4.0 m (13')
5.5 m (18')	4.3 m (14')
5.8 m (19')	4.6 m (15')
6.1 m (20')	4.9 m (16')
6.4 m (21')	5.2 m (17')
6.7 m (22')	5.5 m (18')
7.0 m (23')	5.8 m (19')
7.3 m (24')	6.1 m (20')
7.6 m (25')	6.4 m (21')

FOR INFORMATION ONLY

REVISIONS		ILLINOIS DEPARTMENT OF TRANSPORTATION TRAFFIC SYSTEMS CENTER TYPICAL RAMP METERING TYPE 3 BARRIER WALL INSTALLATION
DATE	BY	
5/94	R.L.	SCALE: NONE DATE: 6-22-94 DRAWN BY: C.M. CHECKED BY: R.L.
2/96	R.L.	
3/96	T.C.	
2/98	R.L.	

TRAFFIC SYSTEMS CENTER (TY-1TSC-400#3)