

LANE 1

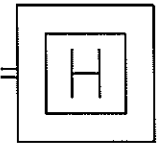
LANE 2

LANE 3

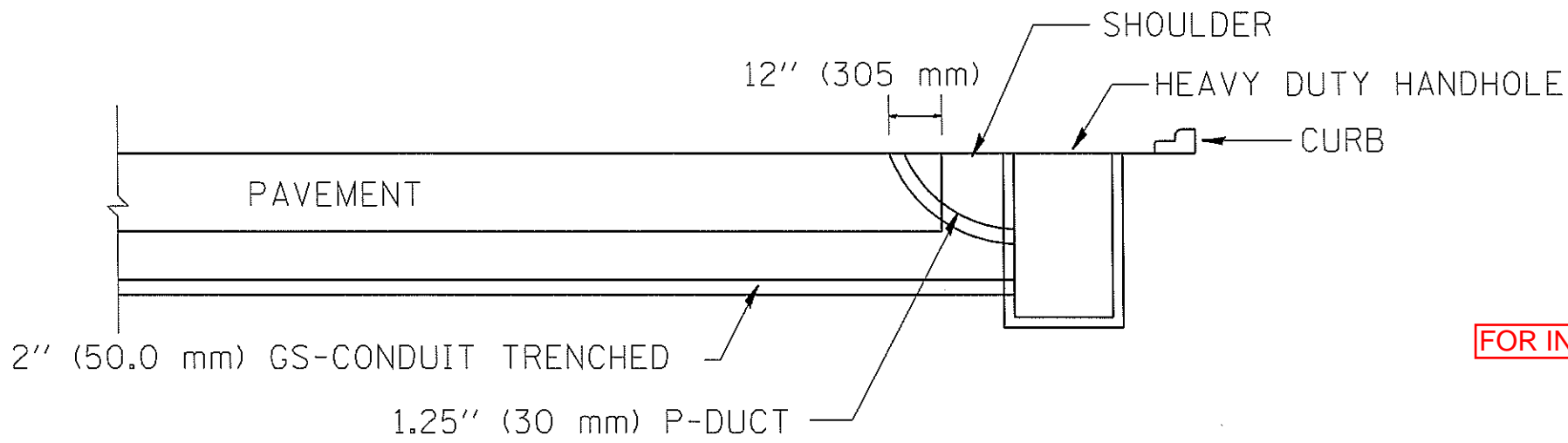
12" (305 mm) MIN.

CORE HOLE

1.25" (30 mm) P-DUCT



SHOULDER



FOR INFORMATION ONLY

CONTRACT 60V58

FILE NAME * C:\Projects\TSC\TYPICALS\TSC1YP08.dgn	USER NAME * mezag	DESIGNED - R.L.	REVISED - R.L.	STATE OF ILLINOIS DEPARTMENT OF TRANSPORTATION TRAFFIC SYSTEMS CENTER	DIVE HOLE DUCT SYSTEM		F.A. RTE.	SECTION	COUNTY	TOTAL SHEETS	SHEET NO.
	PLOT SCALE = 100.0000' / IN.	CHECKED - R.L.	REVISED - T.C.				2012-055BR		107	99	
	PLOT DATE = 12/2/2010	DATE - 11/7/95	REVISED -				CONTRACT NO.				
							FED. ROAD DIST. NO.	ILLINOIS FED. AID PROJECT			

TRAFFIC SYSTEMS CENTER (TY-1TSC-418#8)