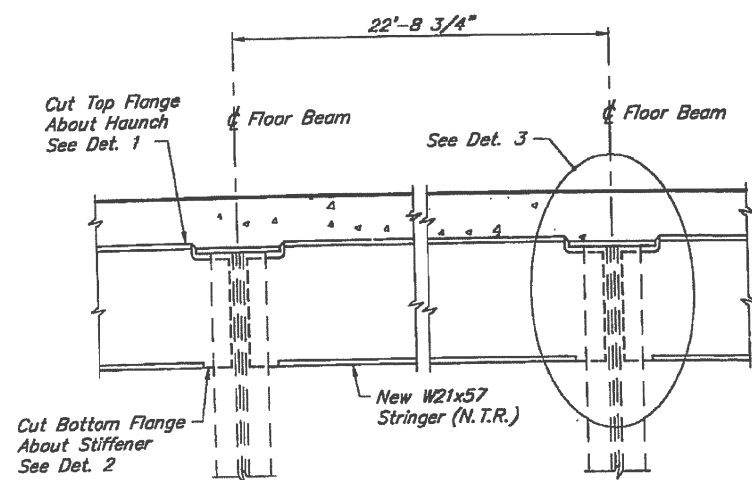
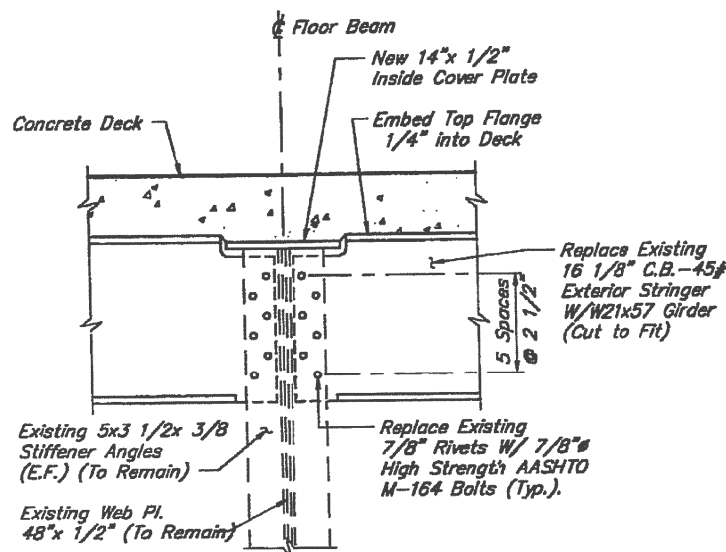


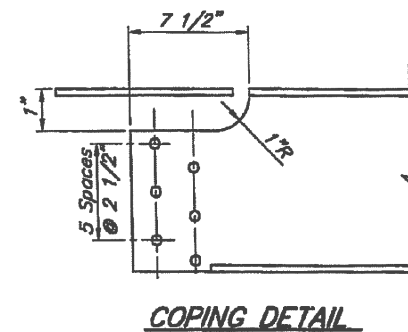
FOR INFORMATION ONLY



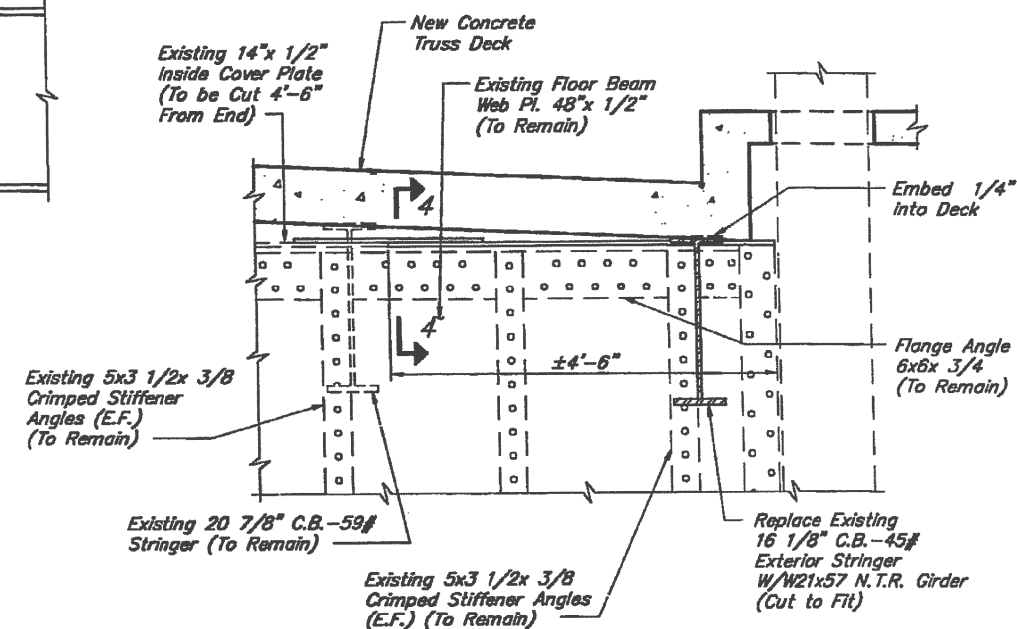
DETAIL A
SHT. S36 OF 76



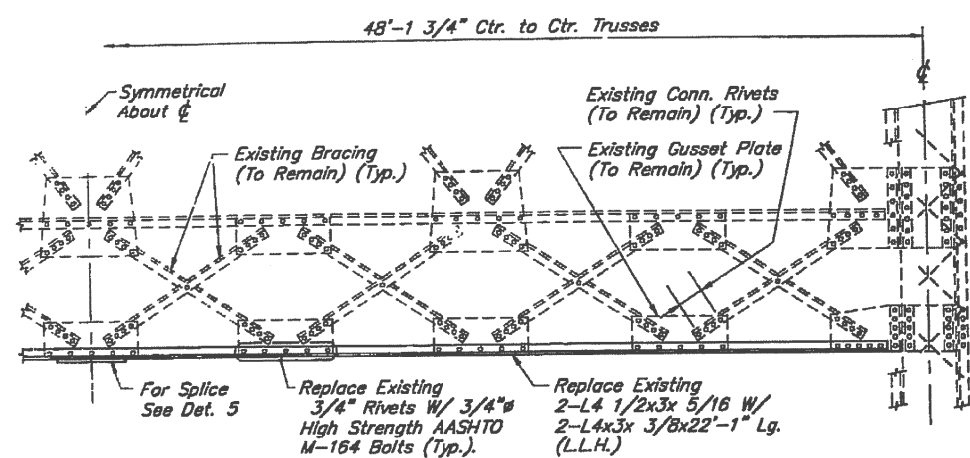
DETAIL 3



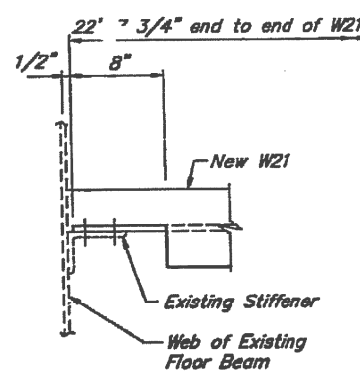
COPING DETAIL



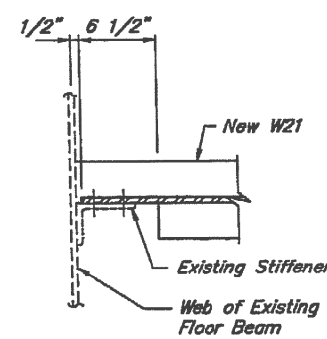
DETAIL B
SHT. S36 OF 76



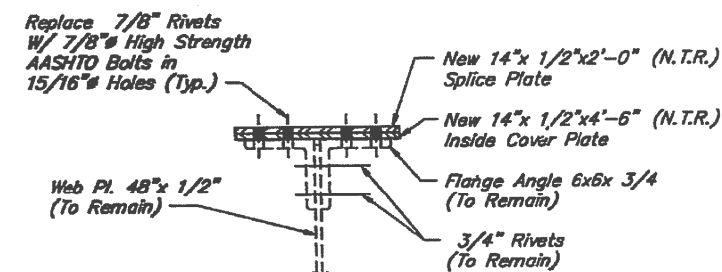
DETAIL C
SHT. S36 OF 76



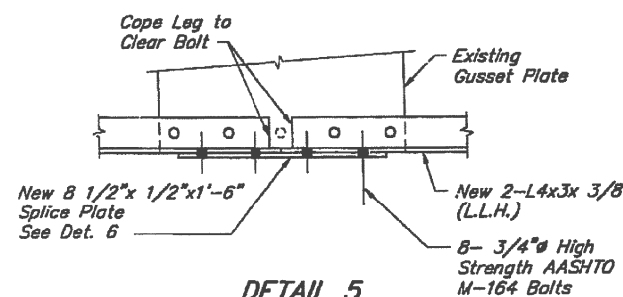
DETAIL 1
Plan at Top Flange



DETAIL 2
Plan at Bottom Flange



SECTION 4-4



DETAIL 5

FILE NAME =	USER NAME = pyzranowskirb	DESIGNED -	REVISED -	STATE OF ILLINOIS DEPARTMENT OF TRANSPORTATION	TRUSS DETAILS SHEET 5 OF 6 IL 83 AT S & S AND I & M CANALS (SN 016-0425)	F.A.P. RTE.	SECTION	COUNTY	TOTAL SHEETS	SHEET NO.	
et:\pwwork\pwwork\pyzranowskirb\d0315367	D0102613-sht-plan.dgn	DRAWN -	REVISED -			344	2012-055BP	COOK	16	10	
\$MODELNAME\$	PLOT SCALE = 100.0000' / in.	CHECKED -	REVISED -			CONTRACT NO. 60V60					
	PLOT DATE = 1/25/2013	DATE -	REVISED -			ILLINOIS FED. AID PROJECT					