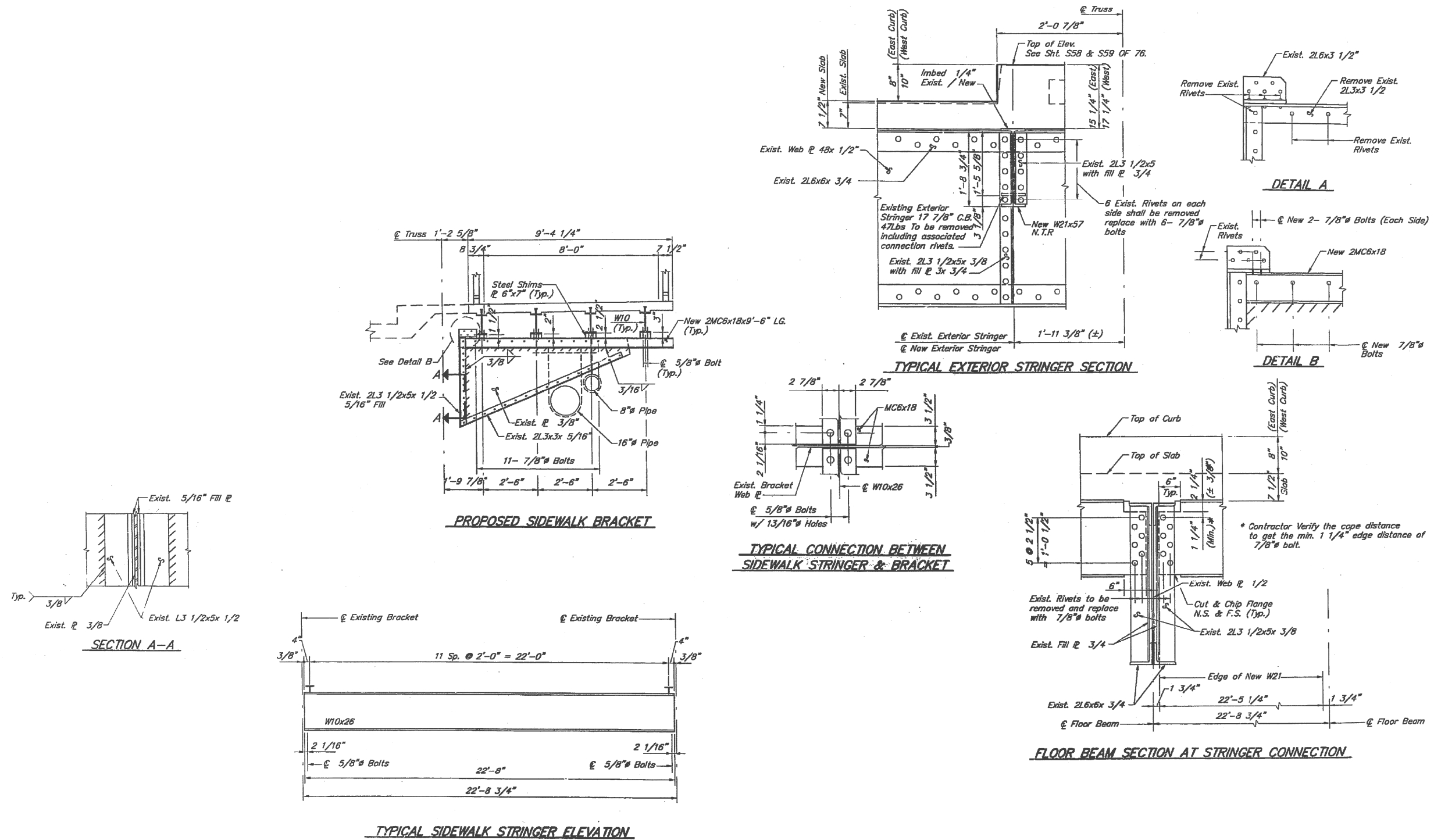


FOR INFORMATION ONLY



FILE NAME =	USER NAME = pyrzanowski	DESIGNED -	REVISED -	STATE OF ILLINOIS DEPARTMENT OF TRANSPORTATION	TRUSS SIDEWALK BRACKET DETAILS & EXTERIOR STRINGER DETAILS IL 83 AT S & S AND I & M CANALS (SN 016-0425)	F.A.P. RTE.	SECTION	COUNTY	TOTAL SHEETS	SHEET NO.	
ei:\pw\work\p\id\pyrzanowski\0315367	D102613-sht-plan.dgn	DRAWN -	REVISED -			344	2012-055BP	COOK	16	12	
\$MODELNAME\$	PLOT SCALE = 100.0000' / in.	CHECKED -	REVISED -			CONTRACT NO. 60V60					
	PLOT DATE = 1/25/2013	DATE -	REVISED -			ILLINOIS FED. AID PROJECT					