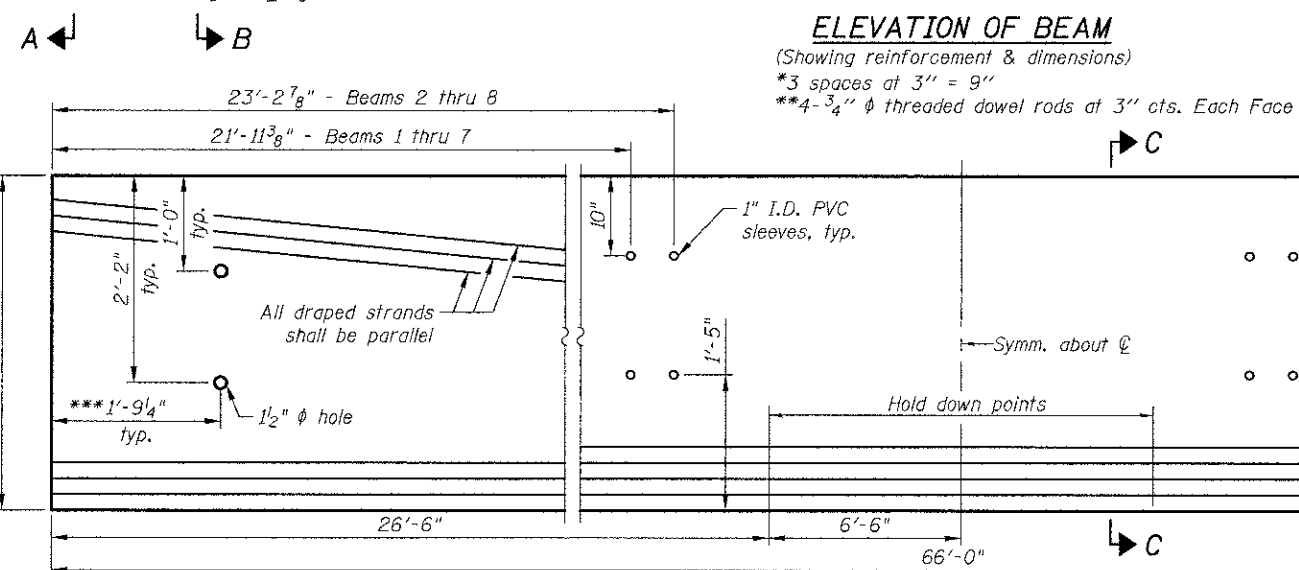


Note A:
Hex nuts (top and bottom) with lock washers (top). Only tighten sufficiently to compress lock washers.

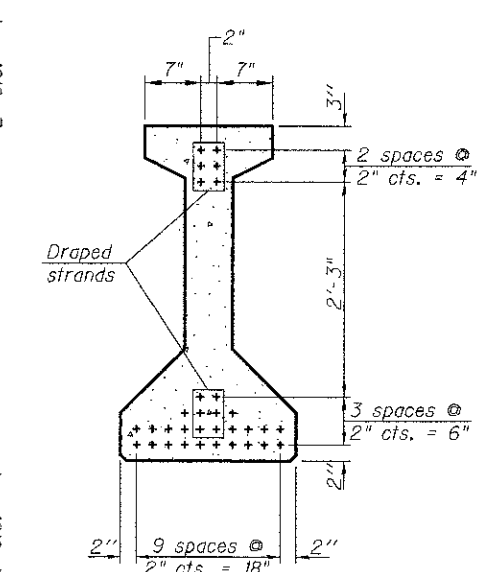
SECTION A-A

SECTION B-B



ELEVATION OF BEAM (Showing reinforcement & dimensions)

(Showing reinforcement & dimensions)
*3 spaces at 3" = 9"
**4-3/4" diameter threaded dowel rods at 3" cts. Each Face



SECTION C-C

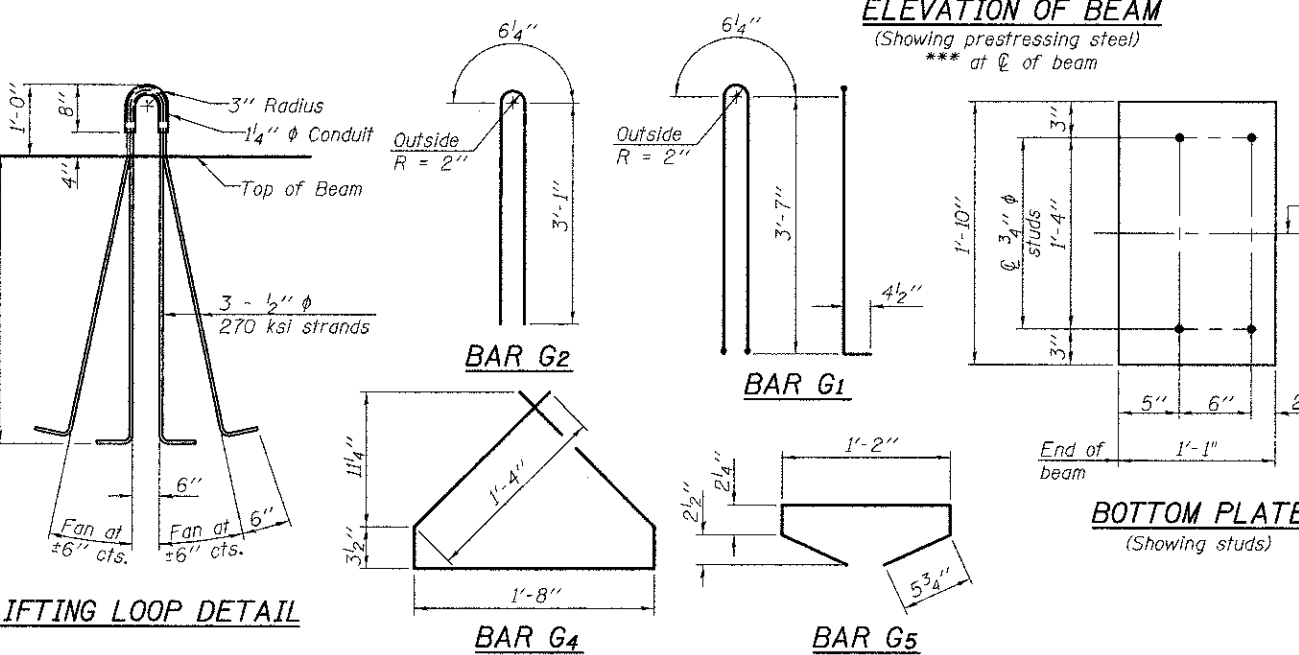
***BAR LIST ONE BEAM ONLY

Bar	No.	Size	Length	Shape
G1	58	#4	8'-5"	U
G2	10	#4	6'-8"	U
G3	12	#6	23'-8"	—
G4	38	#3	4'-11"	U
G5	67	#3	2'-6"	U

***For information only

BILL OF MATERIAL

Item	Unit	Quantity
Furnishing and Erecting Precast Prestressed Concrete I-Beams, 42"	Ft.	528



ELEVATION OF BEAM (Showing prestressing steel)

*** at center of beam

LIFTING LOOP DETAIL

BOTTOM PLATE (Showing studs)

BOTTOM PLATE (Showing threaded rods)

TOP PLATE

NOTES

Inserts for 3/4" diameter threaded dowel rods, when specified, are to be two strut ferrule type for interior beams and single ferrule, flared loop type for exterior beams. Prestressing steel shall be uncoated high strength, low relaxation 7-wire strand, Grade 270. The nominal diameter shall be 1/2" and the nominal cross-sectional area shall be 0.153 sq. in. Reinforcement bars shall conform to ASTM A 706, Grade 60. A minimum 2 1/2" diameter lifting pin shall be used to engage the lifting loops during handling. The top and bottom plates shall be AASHTO M270 Grade 50. The bottom plates and studs shall be galvanized according to AASHTO M111. Top plates and threaded rods need not be galvanized. Threaded rods shall be ASTM F 1554 Grade 55. Required release strength, f'ci, shall be 6,000 psi.

65103.PM
 07/16/2012
 J:\2473\cadd\sheet\17-Structures\bridge\12_42_PPC_I-Beam.dgn

CIVILTECH
 450 E Devon Ave, Suite 300
 Itasca, Illinois 60143
 Tel: 630.773.3900 Fax: 630.773.3975
 www.civiltechinc.com

DRAWN	- K. BOCHNOWSKI	REVISED	-
DESIGNED	- M. LANGE	REVISED	-
CHECKED	- G. HATLESTAD	REVISED	-
DATE	- 10/22/12	REVISED	-

STATE OF ILLINOIS
DEPARTMENT OF TRANSPORTATION

42" PPC I-BEAM DETAILS
KREUTZER ROAD OVER S. BR. KISHWAUKEE RIVER
STRUCTURE NO. 056-6010
 SHEET NO. 512 OF 518 SHEETS

FAU RTE.	SECTION	COUNTY	TOTAL SHEETS	SHEET NO.
4068	07-00031-00-PV	MCHENRY	167	100
CONTRACT NO.			63743	
ILLINOIS FED. AID PROJECT				