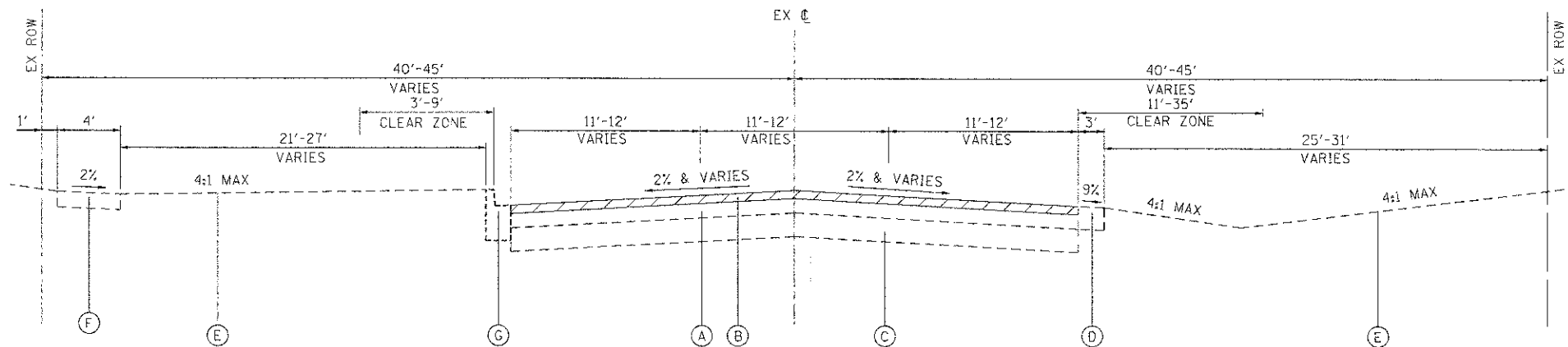


**EXISTING TYPICAL SECTION
CRYSTAL LAKE ROAD**

BULL VALLEY ROAD TO DARTMOOR DRIVE
STA 104+89 TO STA 144+50

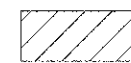


**EXISTING TYPICAL SECTION
CRYSTAL LAKE ROAD**

DARTMOOR DRIVE TO ROYAL DRIVE
STA 144+50 TO STA 176+00

EXISTING LEGEND

- (A) HOT-MIX ASPHALT PAVEMENT; 6"±
- (B) HOT-MIX ASPHALT SURFACE REMOVAL, 3 1/2 INCH
- (C) AGGREGATE SUBBASE; 12"±
- (D) AGGREGATE SHOULDERS
- (E) EXISTING GROUND
- (F) EXISTING PCC SIDEWALK
- (G) EXISTING COMBINATION CONCRETE CURB AND GUTTER, TYPE B6.12



DENOTES AREA OF HOT-MIX
ASPHALT SURFACE REMOVAL

COMPANY NAME: HRGreen
 PROJECT CONTRACT: 04/11 3:27:53 PM
 CLIENT: 8610369-11-001.dgn
 DATE PLOTTED: 8/10/2011
 FILE NAME: 8610369-11-001.dgn
 PLOT SCALE: 1/8"=1'-0"
 PLOT DATE: 8/10/2011

HRGreen.com
 Illinois Professional Design Firm
 #184-001322

USER NAME = jstzai	DESIGNED - JJS	REVISED -
PLLOT SCALE = NTS	DRAWN - JJS	REVISED -
PLLOT DATE = DATE	CHECKED - AC	REVISED -
	DATE -	REVISED -

CITY OF MCHENRY

CRYSTAL LAKE ROAD EXISTING TYPICAL SECTIONS	
SCALE: NTS	SHEET NO. 1 OF 2 SHEETS
STA. _____	TO STA. _____

F.A. RTE. 0085	SECTION 11-00073-00-RS	COUNTY MCHENRY	TOTAL SHEETS 44	SHEET NO. 5
CONTRACT NO. 63794			ILLINOIS FED. AID PROJECT	