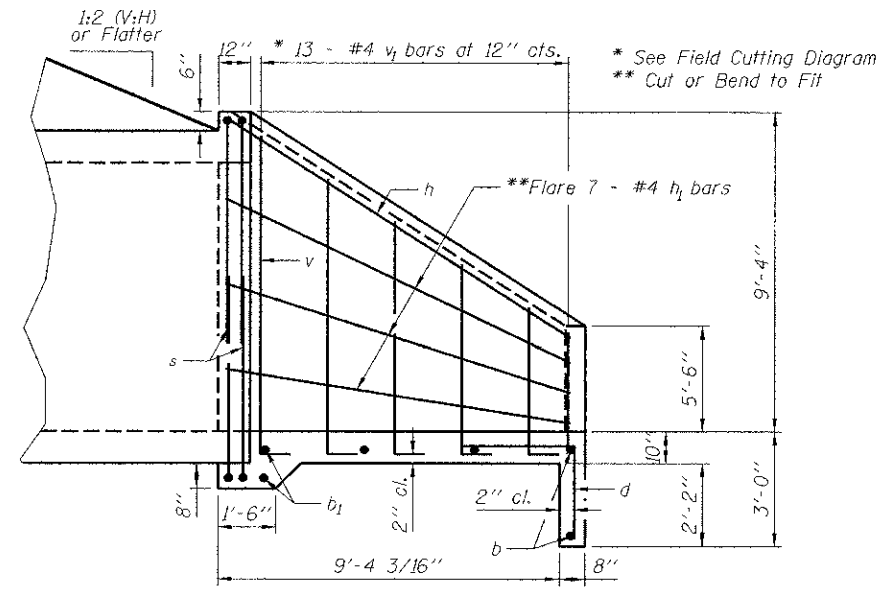
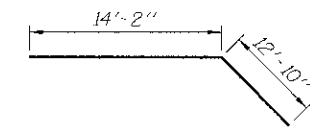


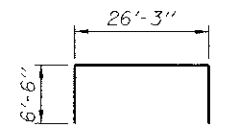
END ELEVATION



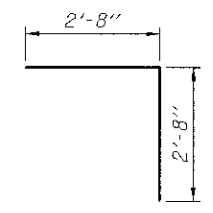
HALF SIDE ELEVATION



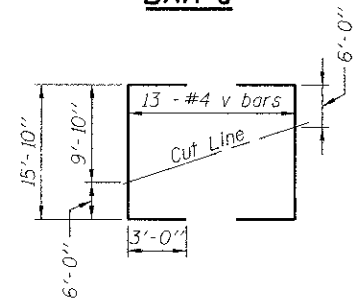
BAR h



BAR s



BAR d



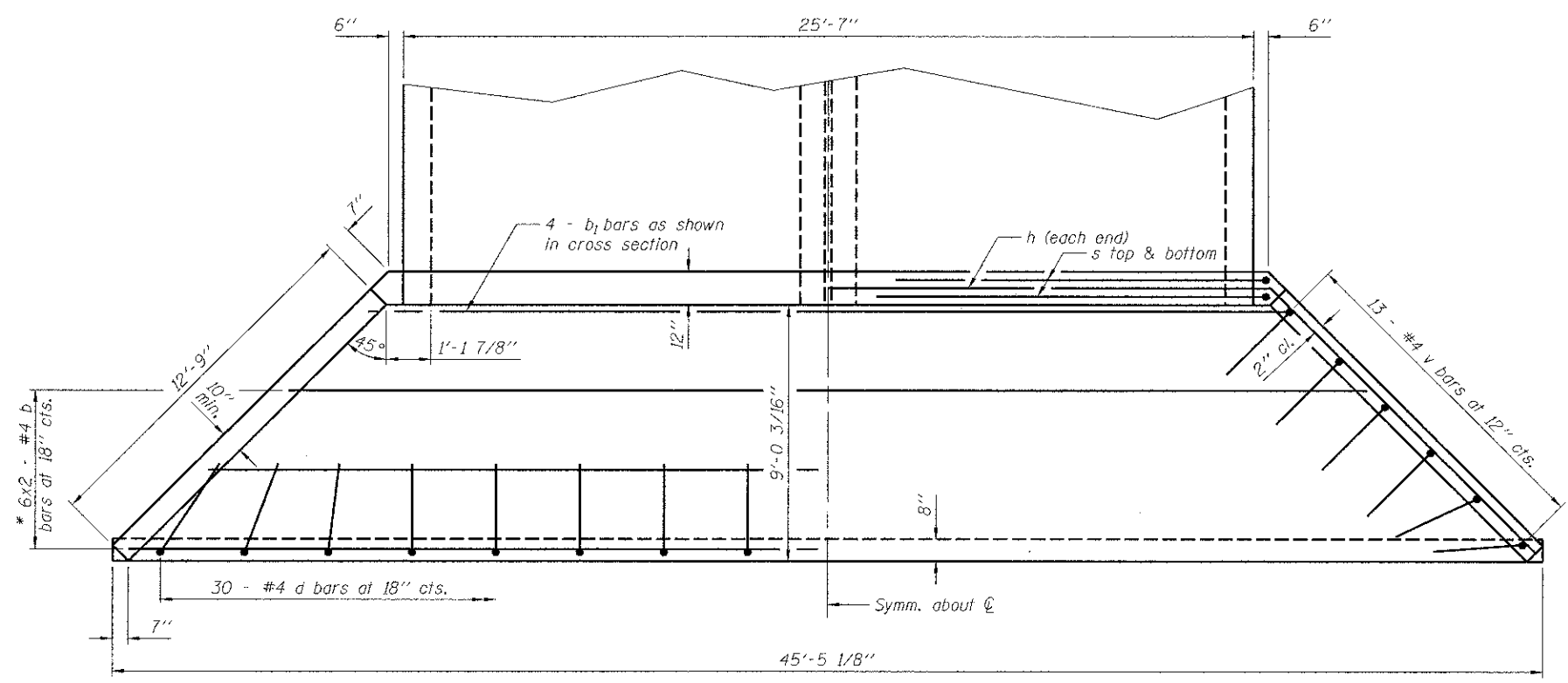
FIELD CUTTING DIAGRAM

Order v full length. Cut as shown and use remainder of bars in opposite wing.

BILL OF MATERIAL ***

Bar	No.	Size	Length	Shape
b	14	#4	23'-5"	—
b ₁	4	#4	27'-6"	—
d	30	#4	5'-4"	—
h	2	#4	27'-0"	—
h ₂	14	#4	13'-8"	—
s	4	#5	39'-0"	—
v	13	#4	21'-10"	—
Concrete Structures			CU YD	19.8
Reinforcement Bars			POUND	920

*** For one (1) apron. The quantities shown are for information only.



PLAN

* See Field Cutting Diagram

**CAST-IN-PLACE APRON
END SECTION FOR
PRECAST CONCRETE BOX CULVERT
STRUCTURE NO. 099-6067**

PRINTED DATE: 1/24/2013
 FILE NAME: \\P:\projects\099-6067\099-6067-00-01\Drawings\Sheet\099-6067-00-01.dwg



USER NAME = #UGER#
 PLOT SCALE = 5.0000 ' / 1" =
 PLOT DATE = 1/24/2013

DESIGNED - DF
 CHECKED - JEH
 DRAWN - JEH
 CHECKED - DF

REVISED -
 REVISED -
 REVISED -
 REVISED -

**STATE OF ILLINOIS
DEPARTMENT OF TRANSPORTATION**

**CAST-IN-PLACE APRON DETAILS
CULVERT #1**

SHEET NO 2 OF 2 SHEETS

F.A.W. RTE.	SECTION	COUNTY	TOTAL SHEETS	SHEET NO.
2571	09-00053-00-BR	WILL	25	16
CONTRACT NO. 63797				

ILLINOIS FED. AID PROJECT