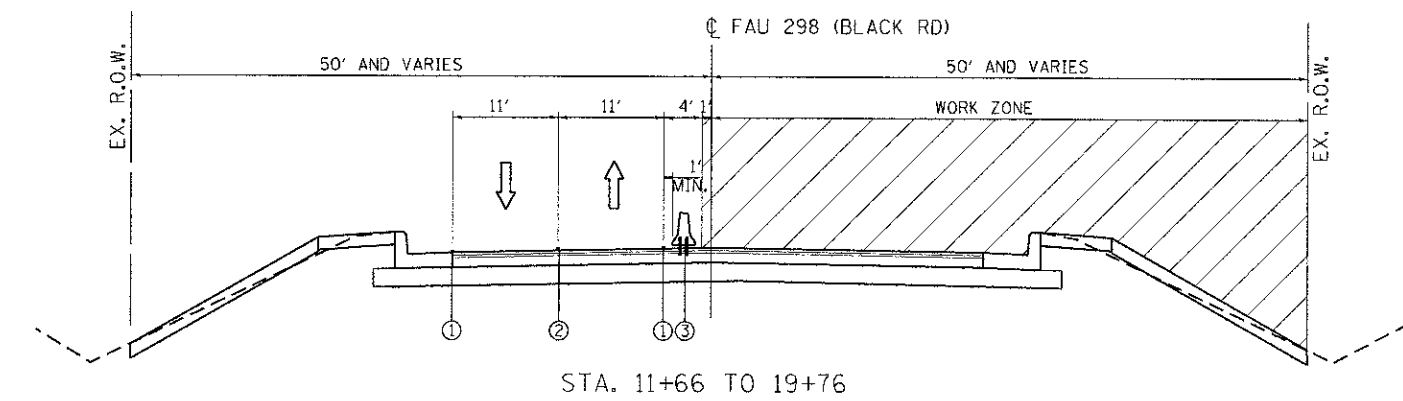


STA. 11+66 TO 19+76
 STAGE 1 - TYPICAL SECTION
 (LOOKING EAST)



STA. 11+66 TO 19+76
 STAGE 2 - TYPICAL SECTION
 (LOOKING EAST)

- LEGEND**
- ① WET REFLECTIVE TEMPORARY TAPE, TYPE III 4 INCH (WHITE)
 - ② WET REFLECTIVE TEMPORARY TAPE, TYPE III 4 (YELLOW DOUBLE LINE)
 - ③ TEMPORARY CONCRETE BARRIER WITH REFLECTORS

ALL TEMPORARY CONCRETE BARRIER WHICH IS LESS THAN 3.5' FROM THE WORK ZONE SHALL BE ANCHORED TO THE PAVEMENT WITH 6 ANCHORS PER SECTION.

FILE NAME = N:\PROJ\60069-18-00\Design\60069-18-00\60069-18-00-11.dwg

Ciorba Group, Inc.
 CONSULTING ENGINEERS
 5507 North Cumberland Avenue, Suite 402
 Chicago, Illinois 60656
 Tel. 773.775.4009 Fax 773.775.4014

USER NAME = jkjelmar	DESIGNED - JMK	REVISED -
	DRAWN - JMK	REVISED -
PLOT SCALE = 20.0000 / 1 in.	CHECKED - MJL	REVISED -
PLOT DATE = 1/29/2013	DATE - 1/29/2013	REVISED -

**STATE OF ILLINOIS
 DEPARTMENT OF TRANSPORTATION**

**FAU 298 (BLACK ROAD) OVER THE DUPAGE RIVER
 TRAFFIC CONTROL AND PROTECTION - TYPICAL SECTIONS**

SCALE: SHEET NO. OF SHEETS STA. TO STA.

C.H. RTE. 298	SECTION 04-00069-18-BR	COUNTY WILL	TOTAL SHEETS 53	SHEET NO. 16
CONTRACT NO. 63803				ILLINOIS FED. AID PROJECT