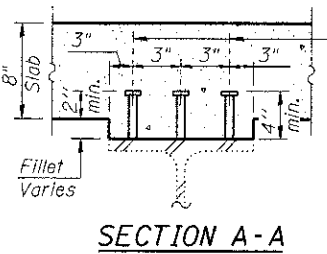


TOP OF BEAM ELEVATIONS
(for fabrication only)

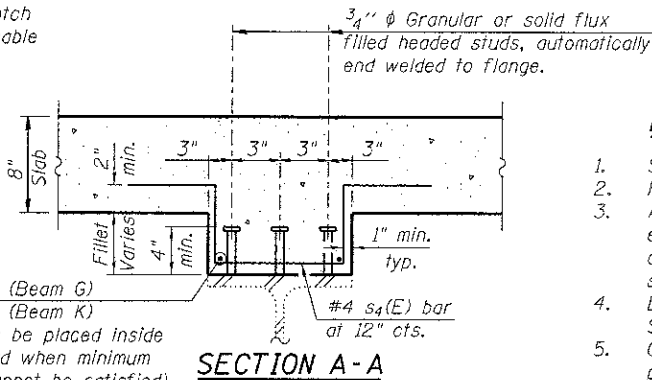
Girder	W. Abut.	Pier 1	F.S. 1	F.S. 3	E. Abut.
G	591.56	593.28	593.77	597.31	598.11
H	591.70	593.40	593.89	597.44	598.25
A	592.05	593.76	594.25	597.84	598.64
B	592.17	593.80	594.27	597.83	598.72
C	592.24	593.86	594.32	597.88	598.76
D	592.24	593.88	594.35	597.88	598.76
E	592.18	593.81	594.28	597.81	598.70
F	592.04	593.77	594.26	597.76	598.56
J	591.68	593.41	593.90	597.41	598.22
K	591.46	593.30	593.83	597.29	598.09

BEAM ELEVATION

"NTR" denotes plates to which notch toughness requirements are applicable
* 3 Spaces at 7" = 1'-9"



SECTION A-A



SECTION A-A
(When Fillet exceeds 6")

NOTES:

- See Sheet S-18 for diaphragm details and moment and reaction tables.
- For Bearing Details, see Sheet S-19.
- All cross frames or diaphragms shall be installed as steel is erected and secured with erection pins and bolts except as otherwise noted. Individual cross frames or diaphragms at supports may be temporarily disconnected to install bearing anchor rods.
- Load carrying components designated "NTR" shall conform to the Supplemental Requirements for Notch toughness, Zone 2.
- Contractor to field verify existing splice locations prior to ordering proposed beams.

N:\PROJ\0023488\06\Design\Structure\CAD\099-3031_20023488_17 Framing Plan.dwg
 2/28/2013 10:58:58 AM
 User: rdenley



USER NAME = rdenley	DESIGNED - MHT	REVISD -
PLOT SCALE = 1/8" = 1'-0"	CHECKED - SMY	REVISD -
PLOT DATE = 1/28/2013	DRAWN - SRC	REVISD -
	CHECKED - BWS	REVISD -

STATE OF ILLINOIS
DEPARTMENT OF TRANSPORTATION

FRAMING PLAN
STRUCTURE NO. 099-3031

SHEET NO. S-17 OF S-24 SHEETS

F.A.U. RTE.	SECTION	COUNTY	TOTAL SHEETS	SHEET NO.
298	04-00069-18-BR	WILL	51	38
CONTRACT NO. 63803			ILLINOIS FED. AID PROJECT	