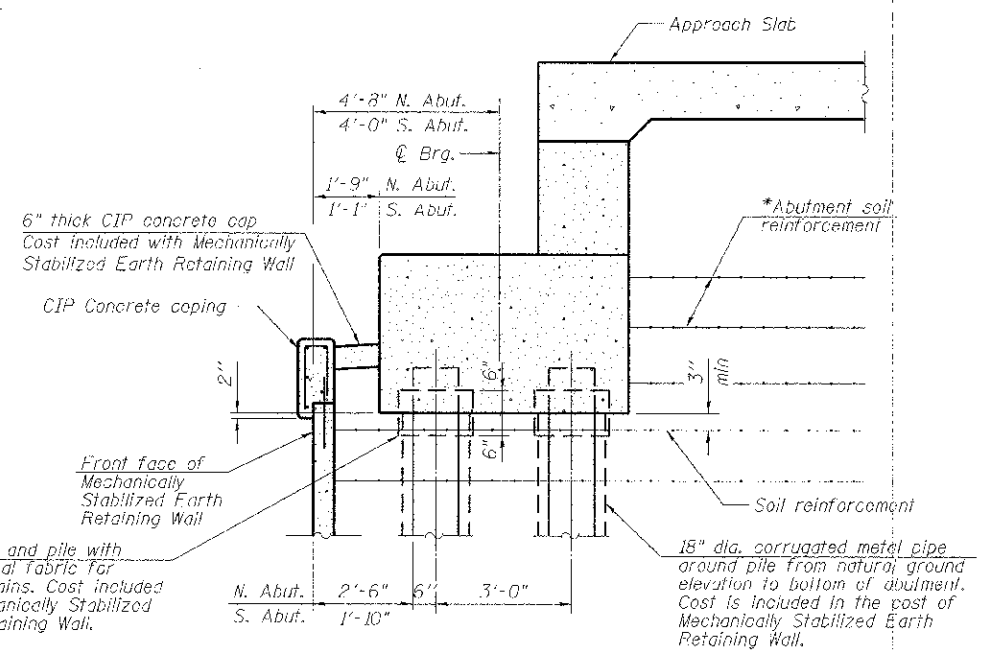
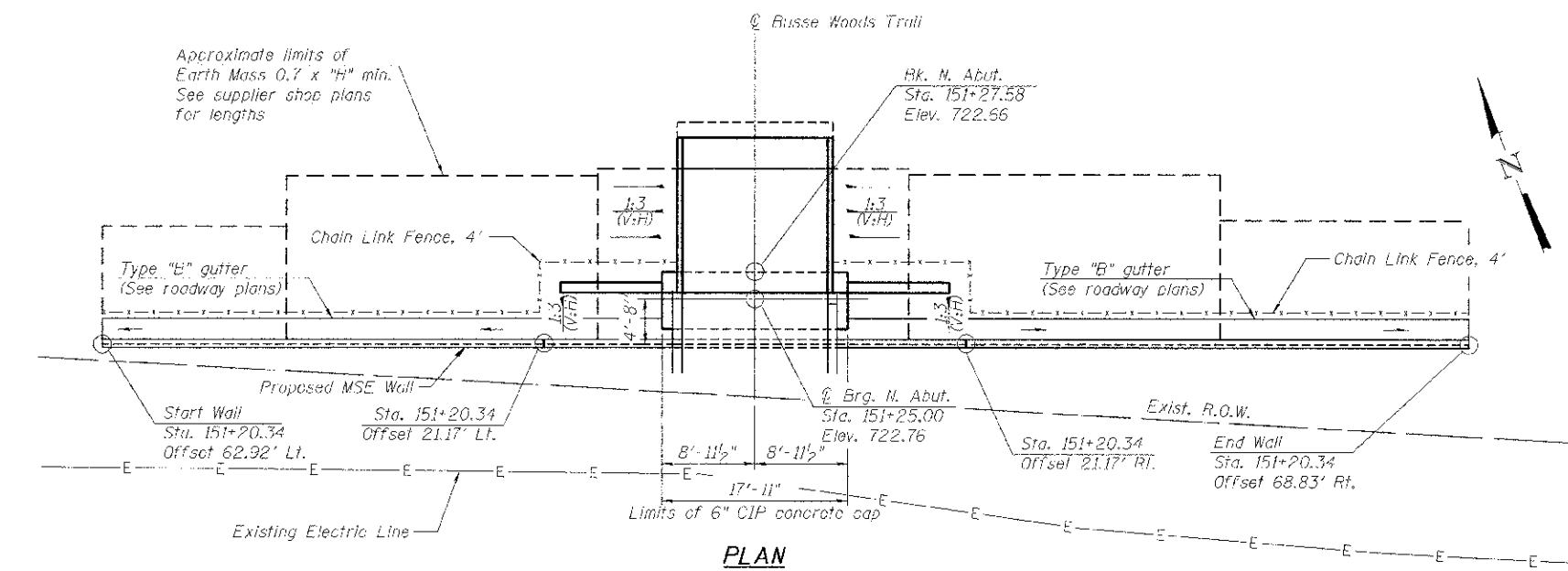


ELEVATION
 (Looking at Front Face of Wall)
 Factored Bearing Resistance, $q_A = 4,000$ psf



SECTION AT ABUTMENT



PLAN

BILL OF MATERIAL

Item	Unit	Total
Structure Excavation	Cu Yd	321
Concrete Headwalls for Pipe Drains	Each	1
Chain Link Fence, 4'	Foot	127
Mechanically Stabilized Earth Retaining Wall	Sq Ft	1519
Pipe Underdrain for Structures 6"	Foot	133

*The M.S.E. Wall supplier shall design the abutment soil reinforcement to resist a horizontal force of 1.19 kips/ft. of abutment.

Notes:
 Station and offsets are along the front face of precast panels.
 See sheet 7 of 13 for Section thru MSF Wall and Cast-in-Place Coping Detail.
 See sheet 7 of 13 for Pipe Underdrain Detail.

2/27/2013 11:43:44 AM ... 9512101010371.B1 (logon) ... 63809-08-NMSE.dgn