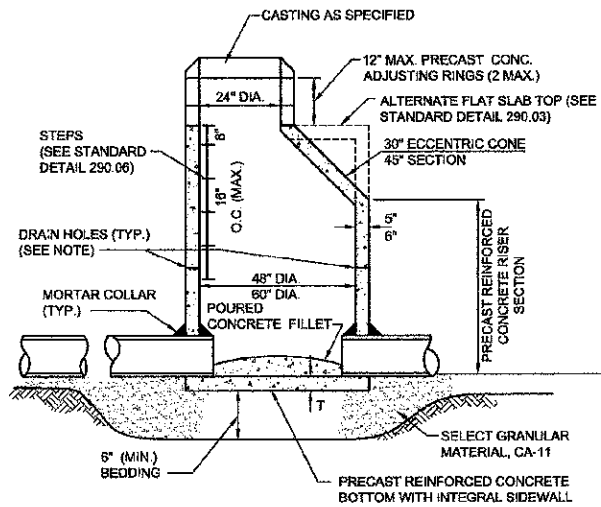
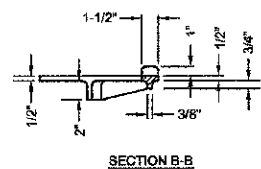
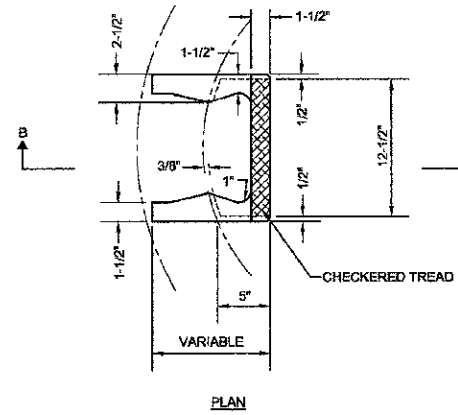


WHEN MANHOLE DEPTH IS 12 FT OR LESS T = 8 INCHES
WHEN MANHOLE DEPTH IS OVER 12 FT, T = 10 INCHES

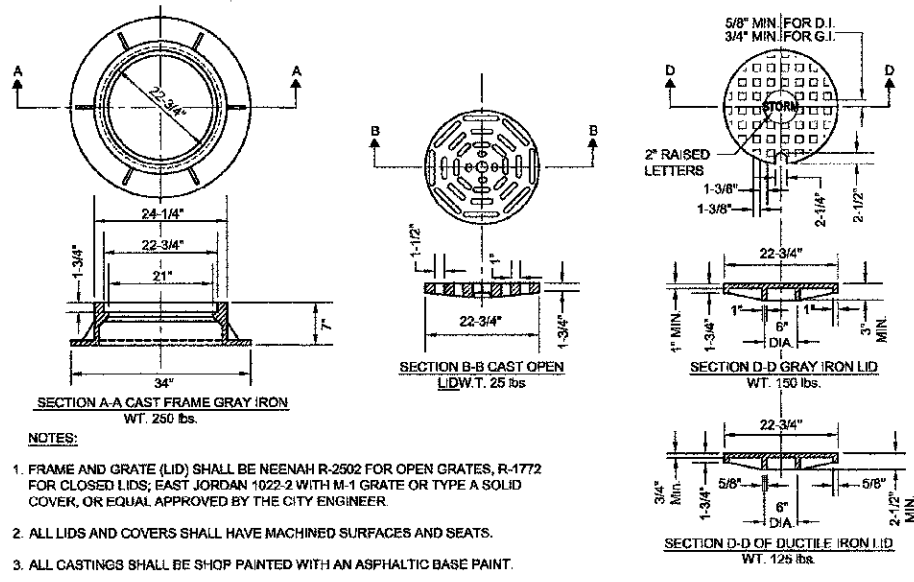


NOTE:
A MINIMUM OF 4 PRECAST OR DRILLED 1" DIAMETER HOLES SHALL BE PROVIDED WITHIN 1' OF THE LOWEST PIPE INVERT. THE HOLES SHALL BE DISTRIBUTED EQUIDISTANT AROUND THE PERIMETER OF THE STRUCTURE. A 1" BY 1" SQUARE OF UNDERDRAIN FILTER CLOTH MATERIAL SHALL BE FIXED OVER EACH DRAIN HOLE ON THE OUTSIDE OF THE STRUCTURE WITH MASTIC MATERIAL TO PREVENT SLIPPAGE DURING BACKFILLING.

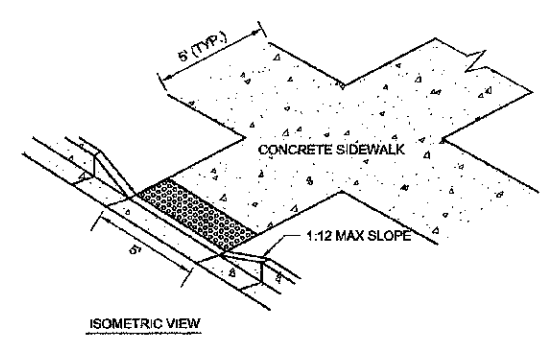


City of Naperville
STANDARD DETAIL
STORM MANHOLE-TYPE A
REVIS: 01/01/2013 SHEET 1 OF 1
290.01

City of Naperville
STANDARD DETAIL
CAST IRON STEPS
REVIS: 01/01/2013 SHEET 1 OF 1
290.06



City of Naperville
STANDARD DETAIL
FRAME & LID OR GRATE
REVIS: 01/01/13
SHEET 1 OF 1
290.10

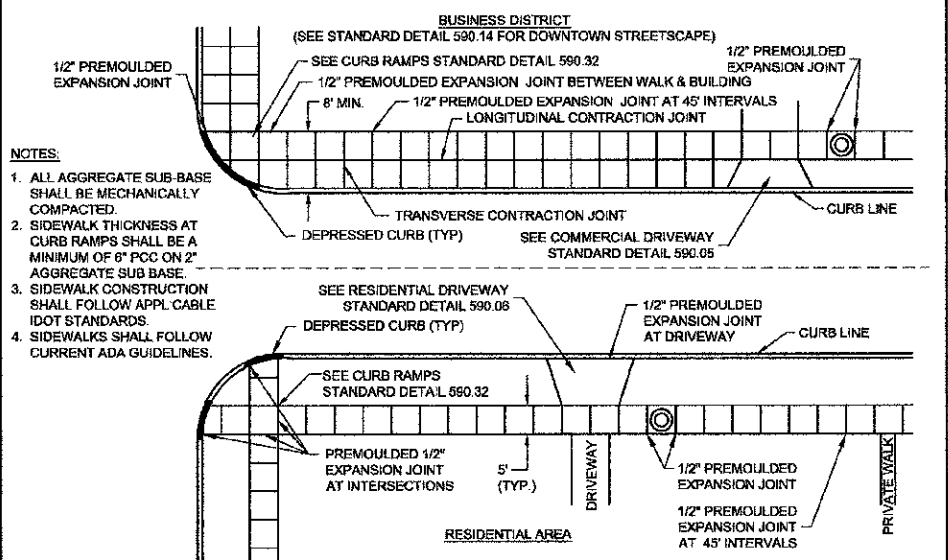


NOTES:
1. ALL AGGREGATE SUB-BASE SHALL BE MECHANICALLY COMPACTED.
2. SIDEWALK THICKNESS AT CURB RAMPS SHALL BE A MINIMUM OF 6" PCC ON 2" AGGREGATE SUB BASE.
3. SIDEWALK CONSTRUCTION SHALL FOLLOW APPLICABLE IDOT STANDARDS.
4. SIDEWALKS SHALL FOLLOW CURRENT ADA GUIDELINES.

APPLICABLE IDOT STANDARD DETAILS:
424001-07 PERPENDICULAR CURB RAMPS FOR SIDEWALKS
424006-01 DIAGONAL CURB RAMPS FOR SIDEWALKS
424011-01 CORNER PARALLEL CURB RAMPS FOR SIDEWALKS
424016-01 MID-BLOCK CURB RAMPS FOR SIDEWALKS
424021-01 DEPRESSED CORNER FOR SIDEWALKS
424026-01 ENTRANCEALLEY PEDESTRIAN CROSSINGS
424031-01 MEDIAN PEDESTRIAN CROSSINGS
606001-05 CONCRETE CURB TYPE B AND COMB CONCRETE CURB AND GUTTER

APPROVED ADA DETECTABLE WARNING TILES:
1. ADA SOLUTIONS - CAST IN PLACE REPLACEABLE
2. ARMOR TILE - CAST IN PLACE
3. DETECTILE - SLIMTEK II

City of Naperville
STANDARD DETAIL
CURB RAMPS
REVIS: 01/01/2013 SHEET 1 OF 1
590.32



City of Naperville
STANDARD DETAIL
SIDEWALK CONSTRUCTION
REVIS: 01/01/2013 SHEET 1 OF 1
590.31

DESIGNED - JS	REVIS - 1/25/2013
DRAWN - JS	REVIS -
CHECKED - BK	REVIS -
DATE - 12/04/2012	REVIS -

STATE OF ILLINOIS
DEPARTMENT OF TRANSPORTATION

2013 New Sidewalk Program
City of Naperville Details

SECTION	COUNTY	SHEET
12-0010-00-SW	DUPAGE	44
CONTRACT NO. 63010		