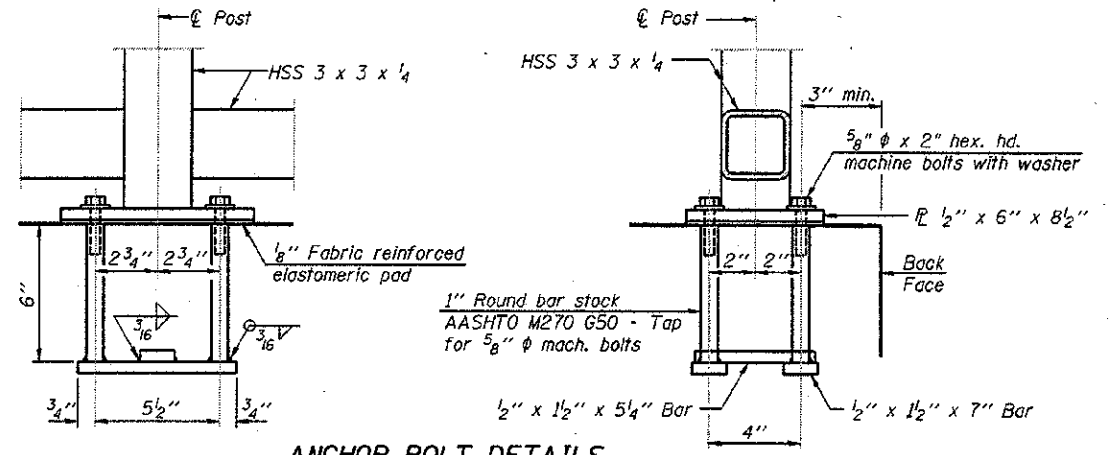
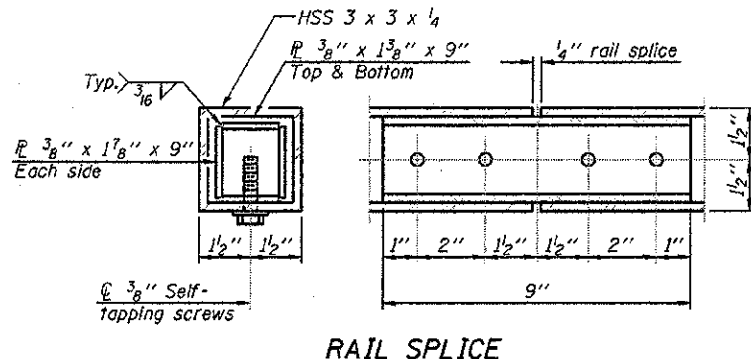
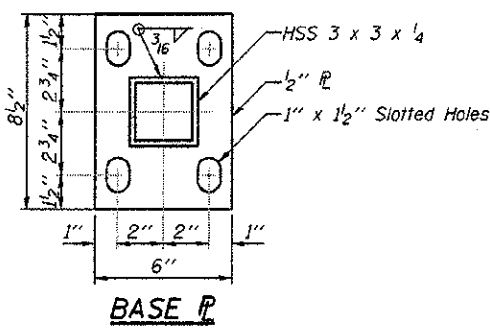
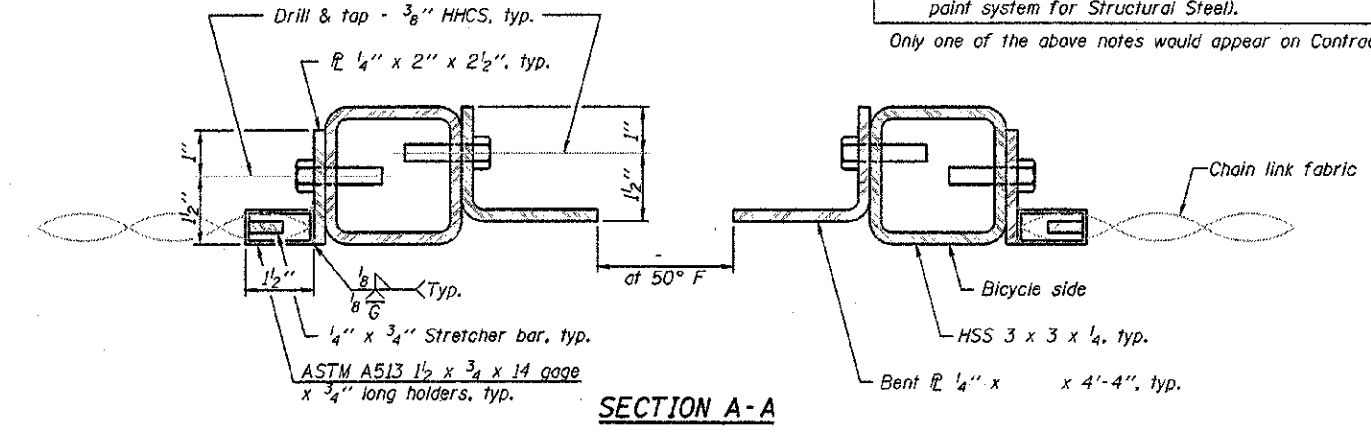


The designer should add the appropriate note as applicable.

A. When railing is galvanized:  
All steel rail elements shall be galvanized according to Article 509.05 of the Standard Specifications.

B. When railing is painted:  
All post, railing, splices, anchor devices, and bent plates shall be painted using the (List the appropriate paint system for Structural Steel).

Only one of the above notes would appear on Contract Plans.



In lieu of the cast-in-place anchor device shown, the Contractor has the option of drilling and setting 5/8"  $\phi$  anchor rods according to Article 509.06 of the Standard Specifications. Embedment shall be according to the manufacturer's specifications.

**BILL OF MATERIAL**

| Item            | Unit | Quantity |
|-----------------|------|----------|
| Bicycle Railing | Foot | 55       |

R-29 1-27-12 (10'-0" Maximum Post Spacing)

|                           |                  |                |                   |   |   |                      |                                |   |                   |                    |  |
|---------------------------|------------------|----------------|-------------------|---|---|----------------------|--------------------------------|---|-------------------|--------------------|--|
| FILE NAME =               | USER NAME = USER | DESIGNED - D.R | REVISED - 4/12/13 | <b>STATE OF ILLINOIS<br/>DEPARTMENT OF TRANSPORTATION</b> | <b>BICYCLE RAILING<br/>STRUCTURE NO. 022-6007</b> | F.A.U. R.T.E. = 2543 | SECTION = 10-00045-00-BR       | COUNTY = DuPAGE                                 | TOTAL SHEETS = 18 | SHEET NO. = 17     |  |
| PLT SCALE = 1/80 ft / IN. | CHECKED - J.B    | REVISED -      | REVISED -         |   |   | SCALE:               | STA. 86+71.54 TO STA. 88+18.46 | FED. ROAD DIST. NO. 1 ILLINOIS FED. AID PROJECT |                   | CONTRACT NO. 63812 |  |
| PLT DATE = 4/16/2013      | DATE -           | REVISED -      | REVISED -         |   |   |                      |                                |   |                   |                    |  |
|                           |                  |                |                   |   |   |                      |                                |   |                   |                    |  |