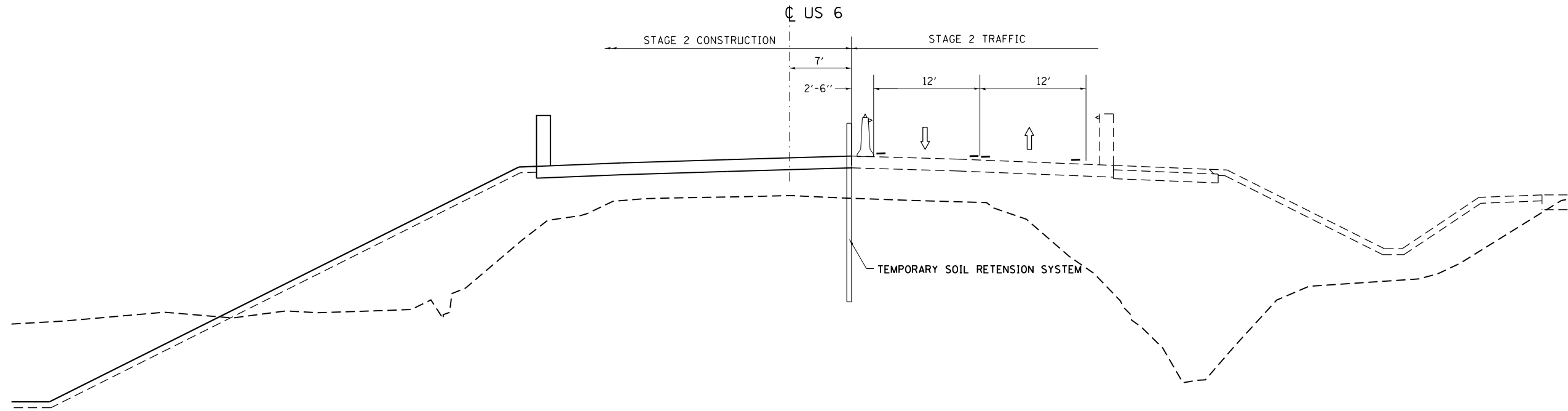
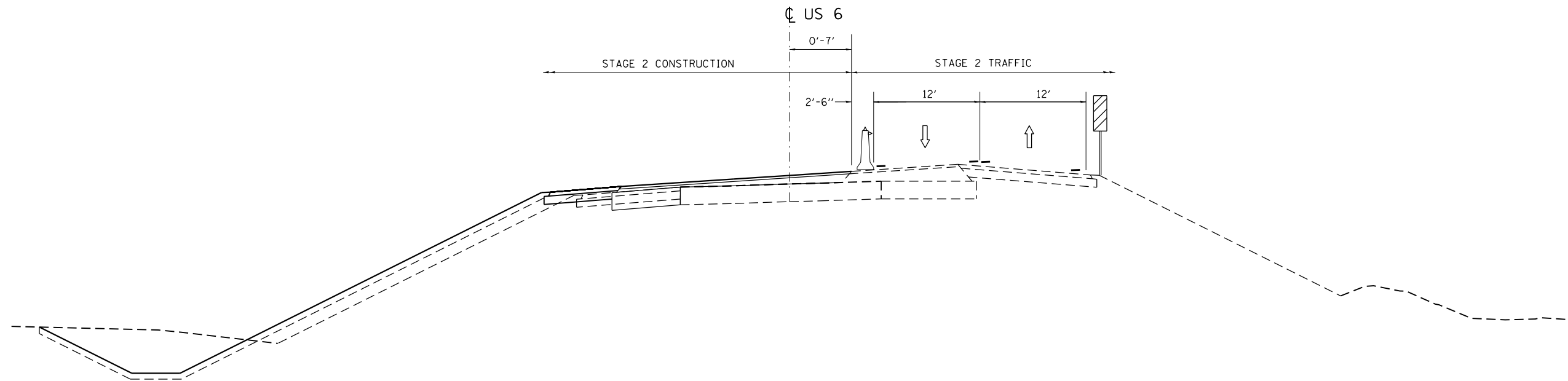


STAGE 2 – TYPICAL SECTIONS

STA 382+64.38 - STA 384+15.16



STA 384+15.16 - STA 394+05.16



FILE NAME =	USER NAME = renkesw	DESIGNED -	REVISED -	STATE OF ILLINOIS DEPARTMENT OF TRANSPORTATION	US RTE 6 STAGE 2 TYPICAL SECTIONS			F.A.U. RTE.	SECTION	COUNTY	TOTAL SHEETS	SHEET NO.
ct:\pw\work\p\dot\renkesw\dms36691\d201584-sht-tp.dgn	PLOT SCALE = 100.0000' / in.	DRAWN -	REVISED -					5789	40BR	ROCK ISLAND	225	26
Default	PLOT DATE = Wed Dec 19 08:40:54 2012	CHECKED -	REVISED -		SCALE: SHEET OF SHEETS STA. TO STA.			CONTRACT NO. 64341				
		DATE -	REVISED -		ILLINOIS FED. AID PROJECT							