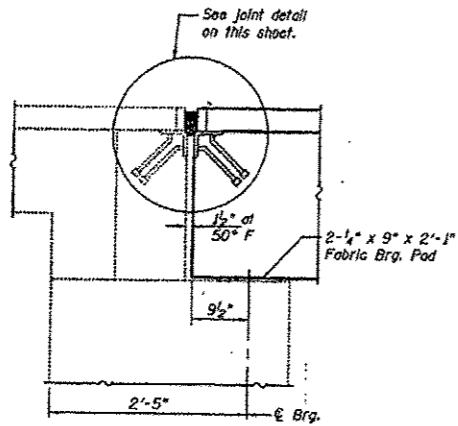
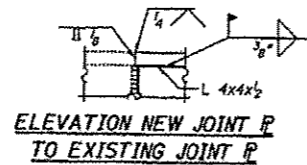


STATE OF ILLINOIS  
DEPARTMENT OF TRANSPORTATION

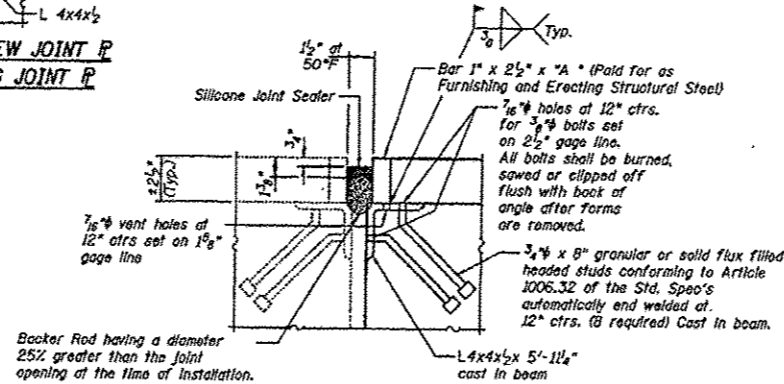
DATE	ISSUED	BY	NO.	REVISION
		WHITESIDE	9	
SHEET NO. 3 3 SHEETS				
Contract Number 64067				



**TYPICAL NORTH  
ABUTMENT SECTION**  
(Dimensions at Rt. L's)

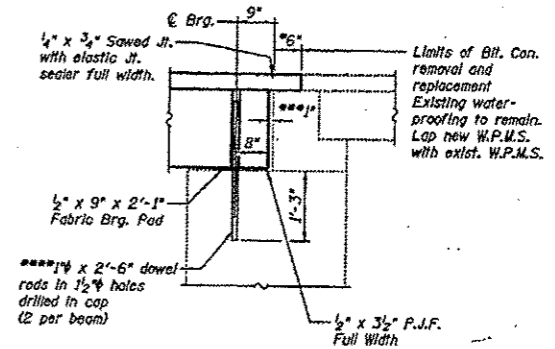


**ELEVATION NEW JOINT P  
TO EXISTING JOINT P**



**WEST ABUTMENT JOINT DETAIL**  
(Cost Included with PPC Deck Beams, except as noted)

Beam	Length "A"
2 - 4	18'-4"
8	6'-1 1/4"

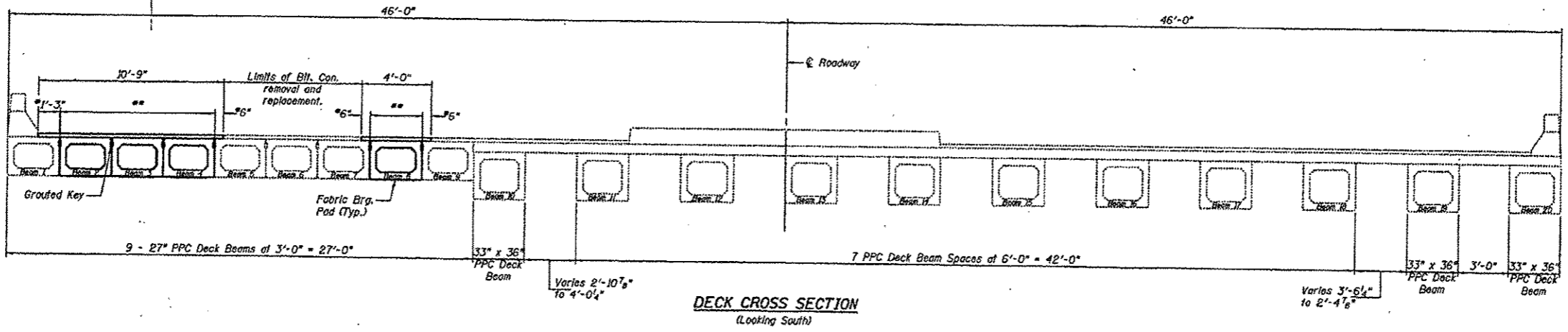


**TYPICAL SOUTH  
ABUTMENT SECTION**  
(Dimensions at Rt. L's)

\*Limits of existing waterproofing to remain. The bituminous concrete removal in these areas shall be paid for as Bituminous Concrete Surface Removal.  
\*\*Cost of removal in these areas is included with Removal of Existing PPC Deck Beams.

\*\*\*\*Existing dowel rods are to be burned off, ground flush, and sealed with epoxy prior to placement of new beams. Cost included in Removal of Existing PPC Deck Beams. After beams have been erected holes shall be drilled into cap and dowel rods placed. Dowel holes shall be filled with non-shrink grout to top of beam and allowed to cure a minimum of 24 hours prior to grouting the shear keys.

\*\*\*Existing joint filler to be removed. Cost included with removal of PPC deck beams. 1" joint shall be filled with non-shrink grout. Dimension may vary to accommodate tolerance in beam lengths.



**DECK CROSS SECTION**  
(Looking South)

DESIGNED S.J.B.	August 3, 2006
CHECKED P.S.J.	EMPOWERED <i>John D. Morris</i>
DRAWN Drew Christopher	PASSED <i>Robert E. Anderson</i>
CHECKED S.J.B. P.S.J.	

**JOINT AND DECK DETAILS**  
**IL 40 / HENNEPIN CANAL**  
**FEEDER CANAL BRIDGE 45**  
**WHITESIDE COUNTY**  
**SN 098-0015**

SLT-92-001-06

FOR INFORMATION ONLY

FILE NAME: c:\p\work\sp\id\gr\gr\sl\0287	USER NAME: grnsp	DESIGNED: -	REVISED: -	STATE OF ILLINOIS DEPARTMENT OF TRANSPORTATION	EXISTING GENERAL PLAN AND ELEVATION STRUCTURE NO. 098-0015	SHEET 35 OF 35 SHEETS	F.A.C. RTE. 546	SECTION 101-BB-3	COUNTY WHITESIDE	TOTAL SHEETS	SHEET NO.
PLOT SCALE: 1/8" = 1'-0"	DESIGNED: <i>John D. Morris</i>	DRAWN: <i>Drew Christopher</i>	REVISED: -							13	91
PLOT DATE: Wed Feb 28 15:22:35 2013	CHECKED: <i>Robert E. Anderson</i>	CHECKED: <i>P.S.J.</i>	REVISED: -							CONTRACT NO. 64067	
										ILLINOIS FED. AID PROJECT	

Added Sheet 2-20-13