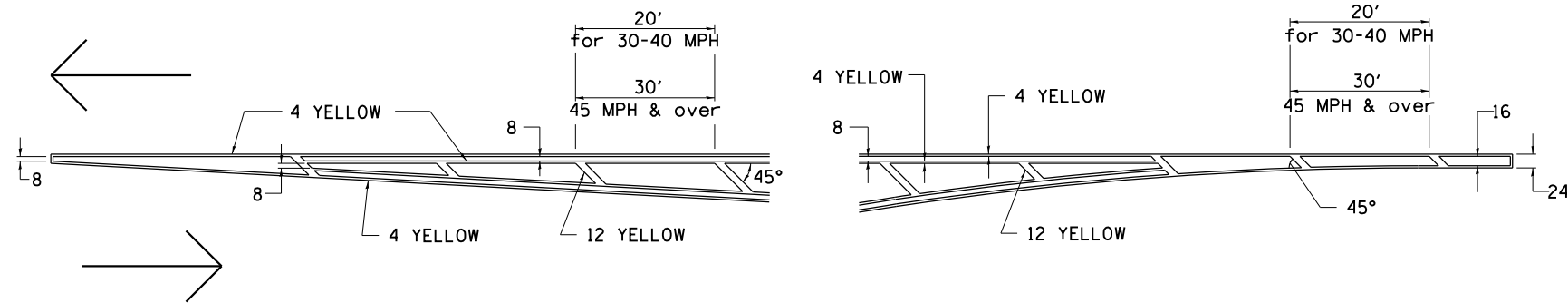
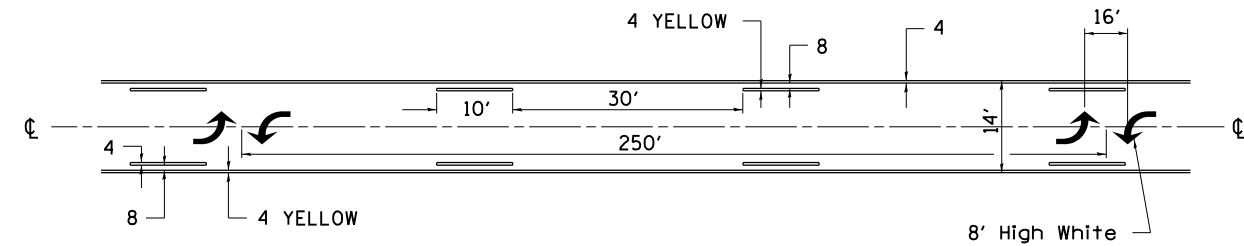


TYPICAL PAVEMENT MARKINGS

TYPICAL PAVEMENT MARKING FOR FLUSH MEDIAN AT LEFT TURN LANE

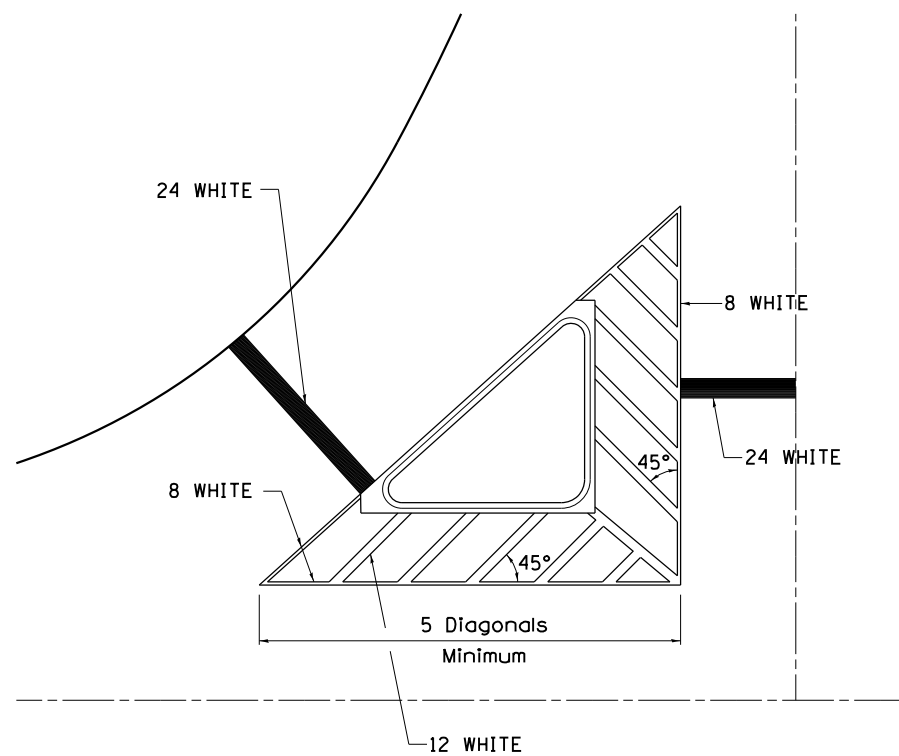


MEDIAN PAVEMENT MARKING

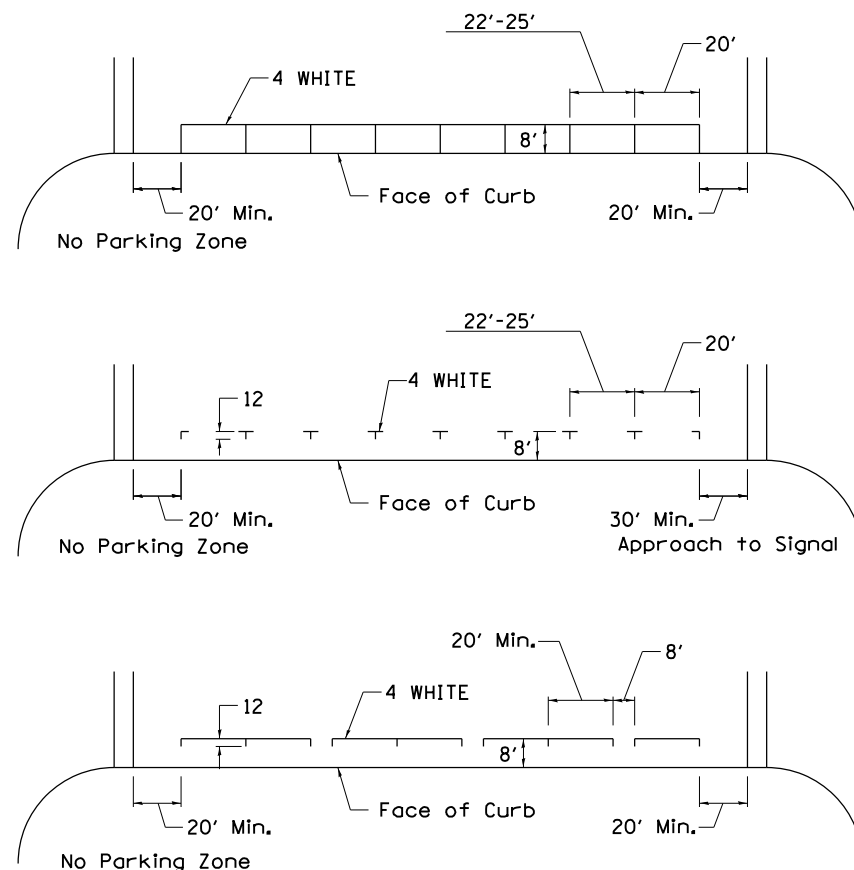


•• ALL DIMENSIONS ARE IN INCHES UNLESS OTHERWISE NOTED.

TYPICAL ISLAND OFFSET SHOULDER WIDTH

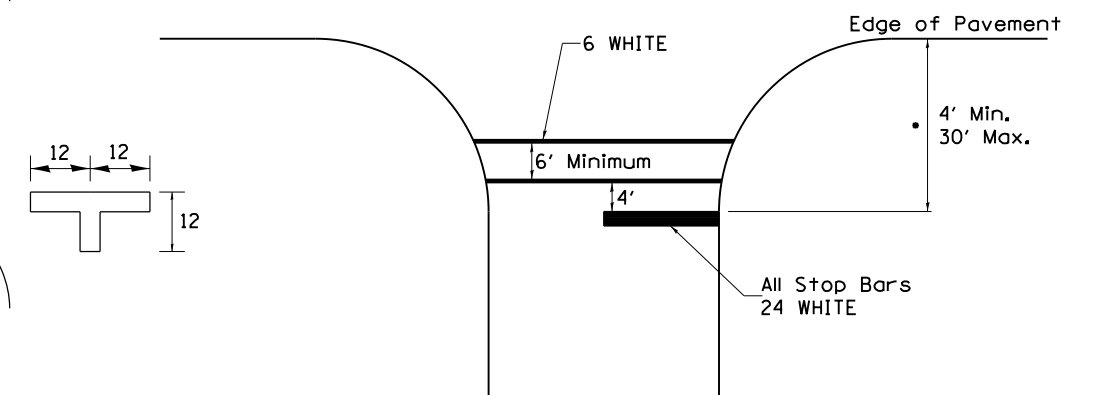


TYPICAL PARKING SPACING



STANDARD CROSSWALK MARKING

See Schedules for Locations



• Distance to the nearest edge of the intersecting roadway in the absence of a marked crosswalk.

FILE NAME =	USER NAME = rundbladerr	DESIGNED -	REVISED - 3-05-12	STATE OF ILLINOIS DEPARTMENT OF TRANSPORTATION	REGION 2 / DISTRICT 2 STANDARD			F.A.P. RTE.	SECTION	COUNTY	TOTAL SHEETS	SHEET NO.	
et:\pw\work\p\idot\rundbladerr\d0233029	D201410-sh-t-cover.dgn	DRAWN -	REVISED -		SCALE:	SHEET NO.	OF SHEETS	STA.	TO STA.	570	101T	64	49
	PLOT SCALE = 100.0000' / in.	CHECKED -	REVISED -							CONTRACT NO. 64F75			
	PLOT DATE = Tue Jan 22 11:41:55 2013	DATE -	REVISED -							ILLINOIS FED. AID PROJECT			