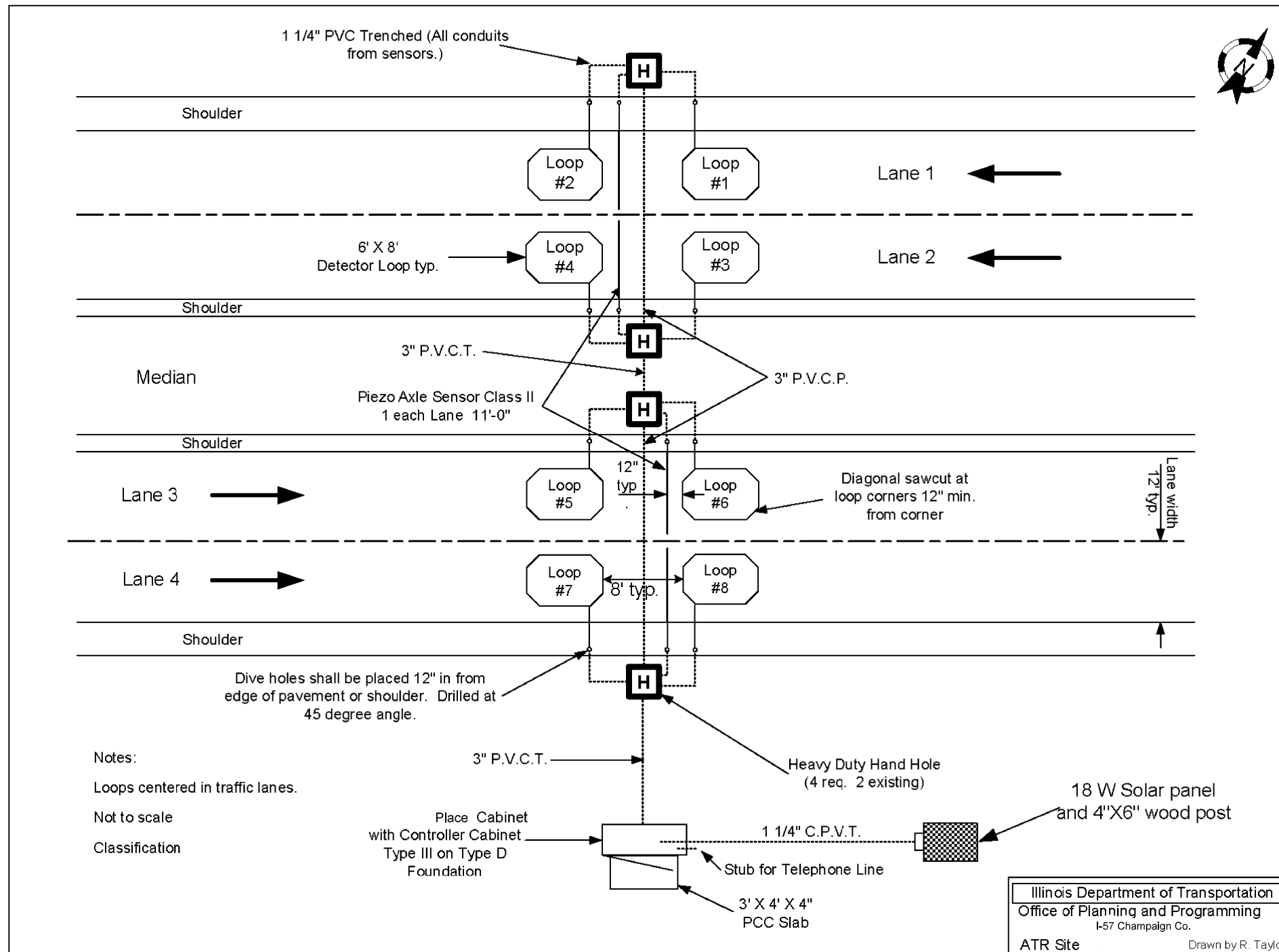


LAYOUT FOR ATR 5290 I-57 N OF MARKET STREET INTERCHANGE



NOTE:
INSTALL DETECTOR LOOPS AND AXLE SENSORS IN THE NORTHBOUND LANES AND CONNECT TO THE EXISTING SYSTEM INSTALLED BY OTHERS.

NOT TO SCALE

FILE NAME =	USER NAME = keysrb	DESIGNED -	REVISED -	STATE OF ILLINOIS DEPARTMENT OF TRANSPORTATION	DETAIL FOR ATR SITE NO. 5290	F.A.I. RTE.	SECTION	COUNTY	TOTAL SHEETS	SHEET NO.
ct:\pwork\pwork\keysrb\0158448\05707	6-sht-detail.dgn	DRAWN -	REVISED -			57	(10-34, 10-35)RS-2(NB)	CHAMPAIGN	53	38
	PLOT SCALE = 48.0000' / in.	CHECKED -	REVISED -			CONTRACT NO. 70716				
	PLOT DATE = 11/13/2012	DATE -	REVISED -		SCALE:	SHEET NO. 1 OF 2 SHEETS	STA.	TO STA.	ILLINOIS FED. AID PROJECT	