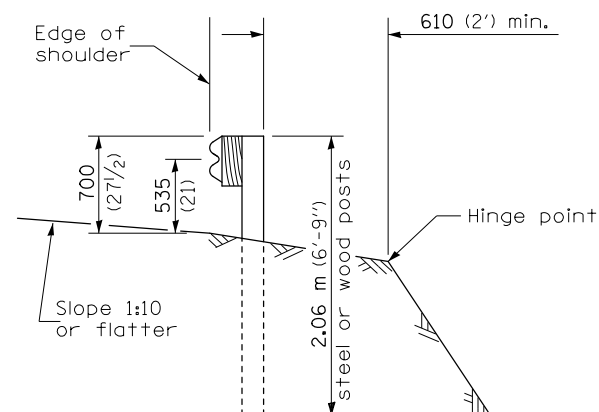


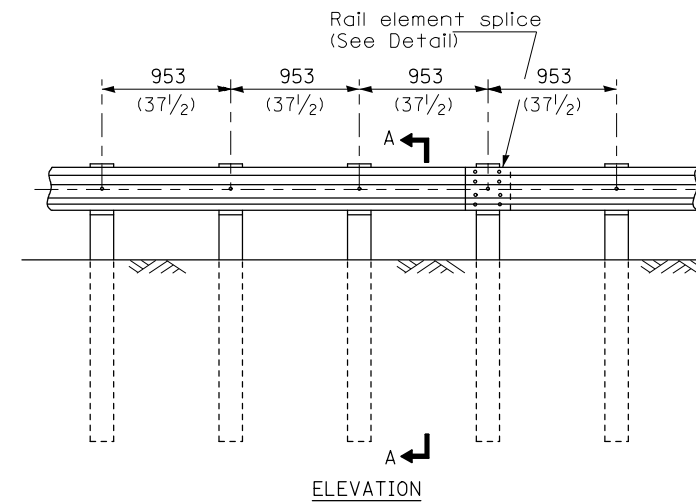
ELEVATION

TYPE A

1.905 m (6'-3") Typical post spacing



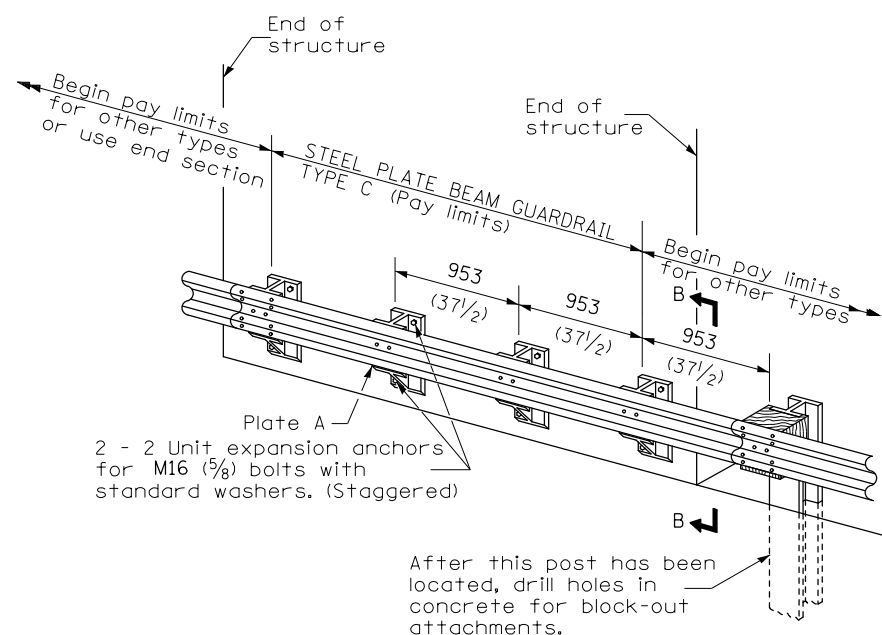
SECTION A-A



ELEVATION

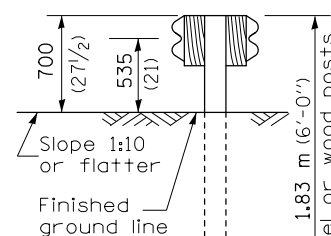
TYPE B

953 (37 1/2) Closed post spacing

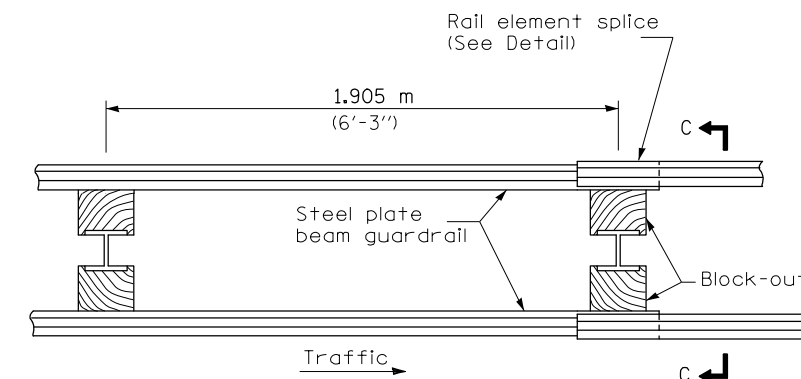


TYPE C

953 (37 1/2) Block-out spacing



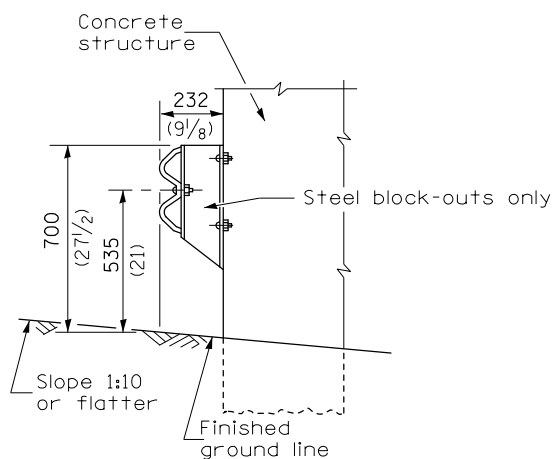
SECTION C-C



PLAN

TYPE D

Double steel plate beam guardrail
1.905 m (6'-3") typical post spacing



SECTION B-B

GENERAL NOTES

All slope ratios are expressed as units of vertical displacement to units of horizontal displacement (V:H).

All dimensions are in millimeters (inches) unless otherwise shown.

DATE	REVISIONS
4-1-06	Deleted plate washer F.
1-1-05	Rev. post in impervious material on sheet 4.

STEEL PLATE BEAM GUARDRAIL

(Sheet 1 of 4)

STANDARD 630001-06

FILE NAME =	USER NAME = ceerlockjd	DESIGNED -	REVISED -
et:\pw\work\p1dot\ceerlockjd\0331926\0870A19-sht-details.dgn		DRAWN -	REVISED -
\$MODELNAME\$	PLOT SCALE = 40.0000' / in.	CHECKED -	REVISED -
	PLOT DATE = 2/8/2013	DATE - 02/04/13	REVISED -

**STATE OF ILLINOIS
DEPARTMENT OF TRANSPORTATION**

DETAIL OF 27 1/2" STEEL PLATE BEAM GUARDRAIL

SCALE: SHEET 1 OF 4 SHEETS STA. TO STA.

*D5 GUARDRAIL & FENCE REPAIR-2013

F.A. RTE.	SECTION	COUNTY	TOTAL SHEETS	SHEET NO.
	•	VARIOUS	19	8
CONTRACT NO. 70A19			ILLINOIS FED. AID PROJECT	