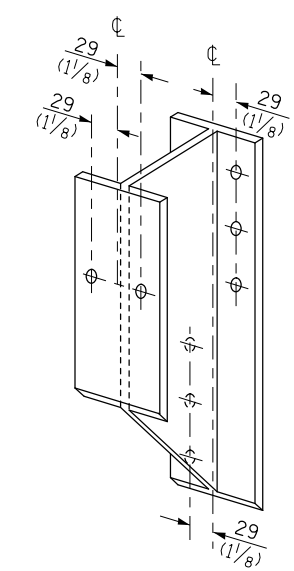
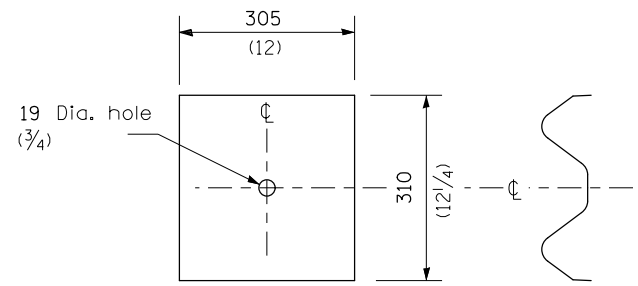


STEEL POST CONSTRUCTION

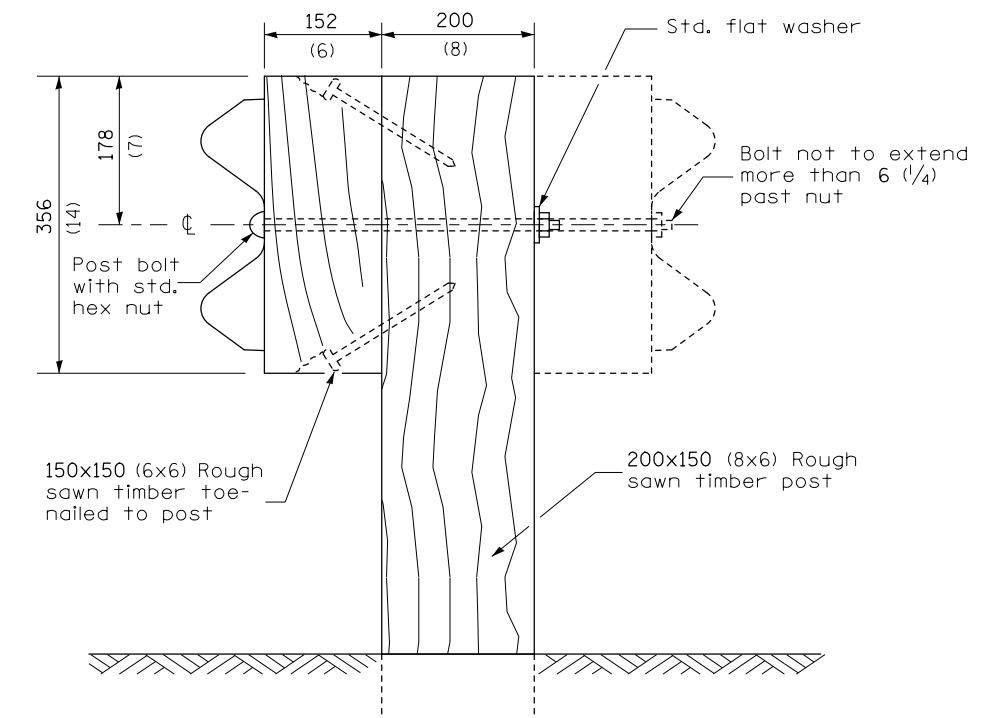


STEEL BLOCK-OUT DETAIL

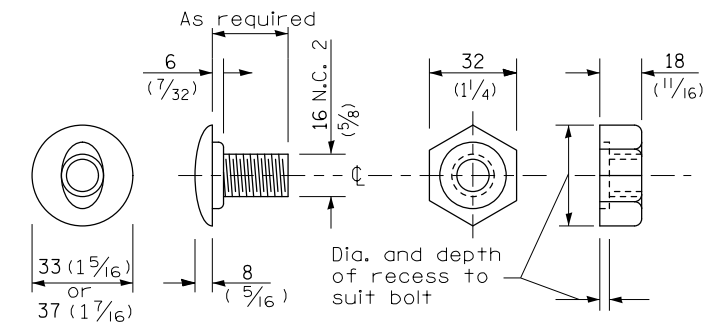


NOTE
 Plate A shall be placed between rail element and block-out at non-splice mounting points only when steel block-outs are used.

PLATE A



WOOD POST CONSTRUCTION



POST OR SPLICE BOLT & NUT

**STEEL PLATE BEAM
 GUARDRAIL**
 (Sheet 2 of 4)
STANDARD 630001-06