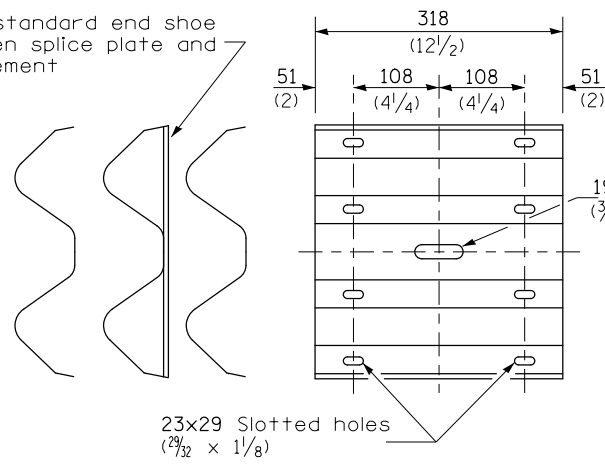
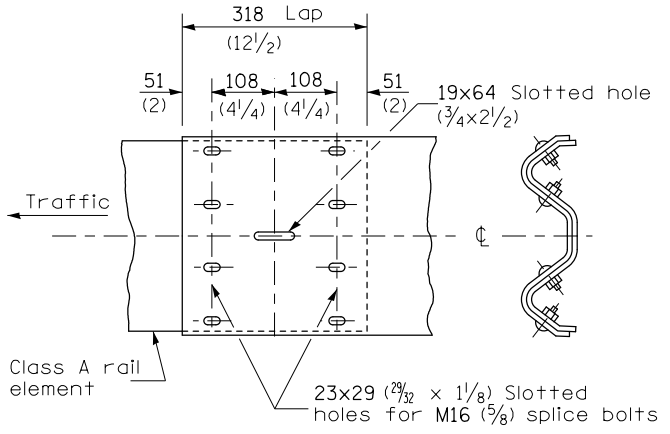


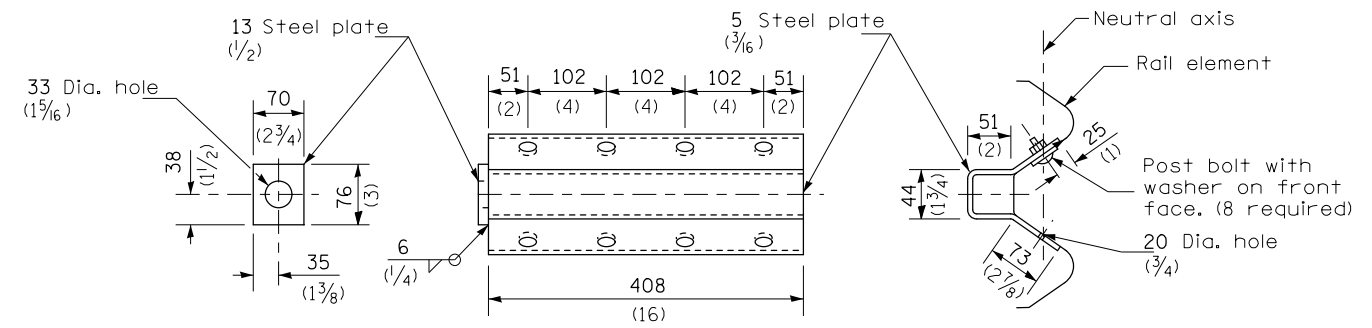
Place standard end shoe between splice plate and rail element



SPLICE PLATE

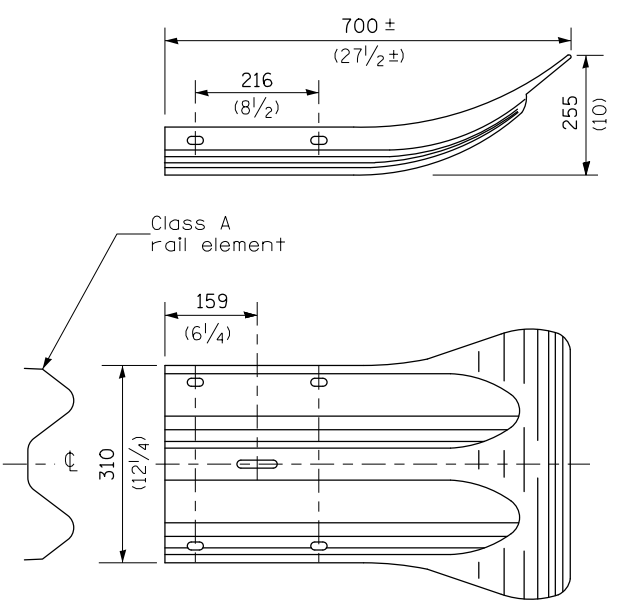


RAIL ELEMENT SPLICE

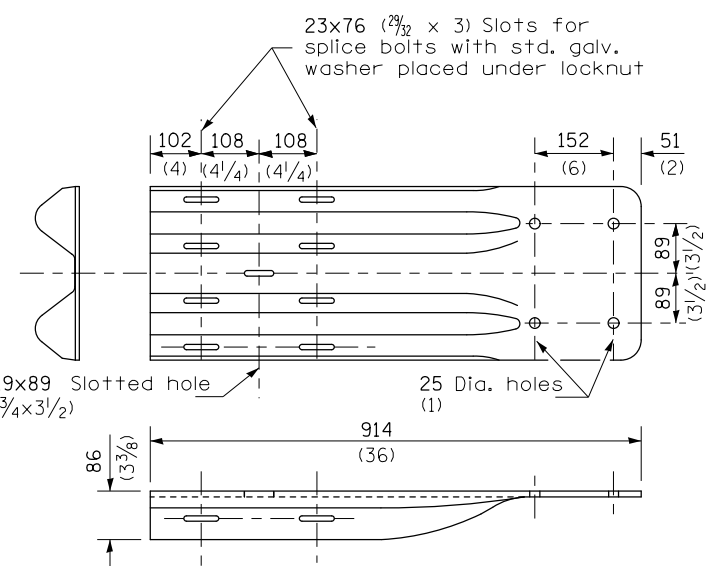


NOTE
Anchor plate T shall be used to attach cable assembly to guardrail when required on traffic barrier terminals.

ANCHOR PLATE T DETAILS



END SECTION

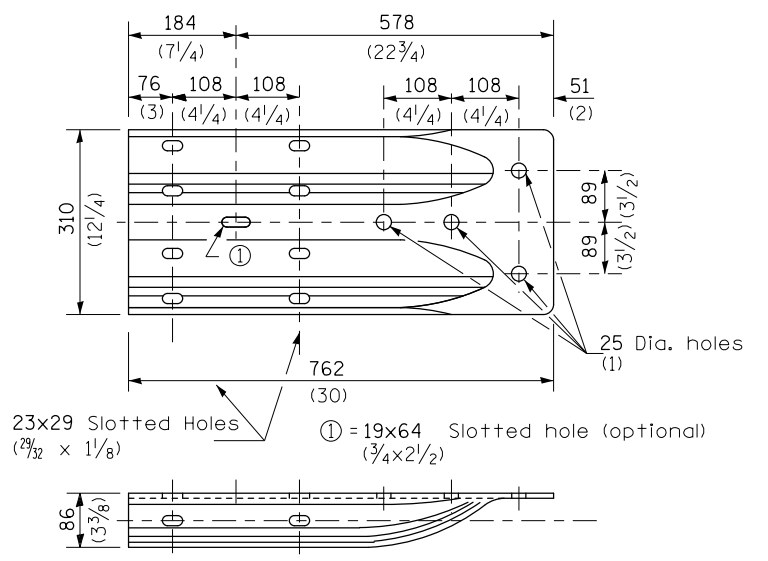


NOTE
When end shoe is attached to a bridge parapet which has an expansion joint, the bolts shall be provided with a locknut or double nut and shall be tightened only to a point that will allow guardrail movement.

The standard end shoe shall be attached to the concrete with pre-drilled or self-drilling anchor bolts. The anchor cone shall be set flush with the surface of the concrete.

Externally threaded studs protruding from the surface of the concrete will not be permitted.

END SHOE



ALTERNATE END SHOE

**STEEL PLATE BEAM
GUARDRAIL**

(Sheet 3 of 4)

STANDARD 630001-06

FILE NAME =	USER NAME = ceerlockjd	DESIGNED -	REVISED -	STATE OF ILLINOIS DEPARTMENT OF TRANSPORTATION	DETAIL OF 27 1/2" STEEL PLATE BEAM GUARDRAIL		F.A. RTE.	SECTION	COUNTY	TOTAL SHEETS	SHEET NO.
ci:\pw\work\p\midot\ceerlockjd\0331926\0870A19-sht-details.dgn	DRAWN -	REVISED -	VAR.				•	VARIOUS	19	10	
PLOT SCALE = 48.0000' / in.	CHECKED -	REVISED -	CONTRACT NO. 70A19								
PLOT DATE = 2/8/2013	DATE - 02/04/13	REVISED -	ILLINOIS FED. AID PROJECT								
				SCALE:		SHEET 3 OF 4 SHEETS	STA.	TO STA.			

*D5 GUARDRAIL & FENCE REPAIR-2013