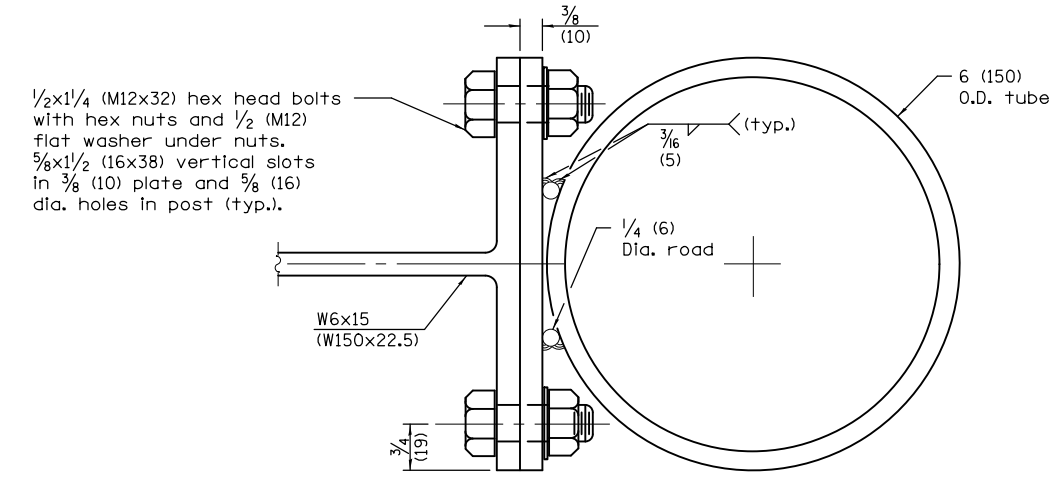
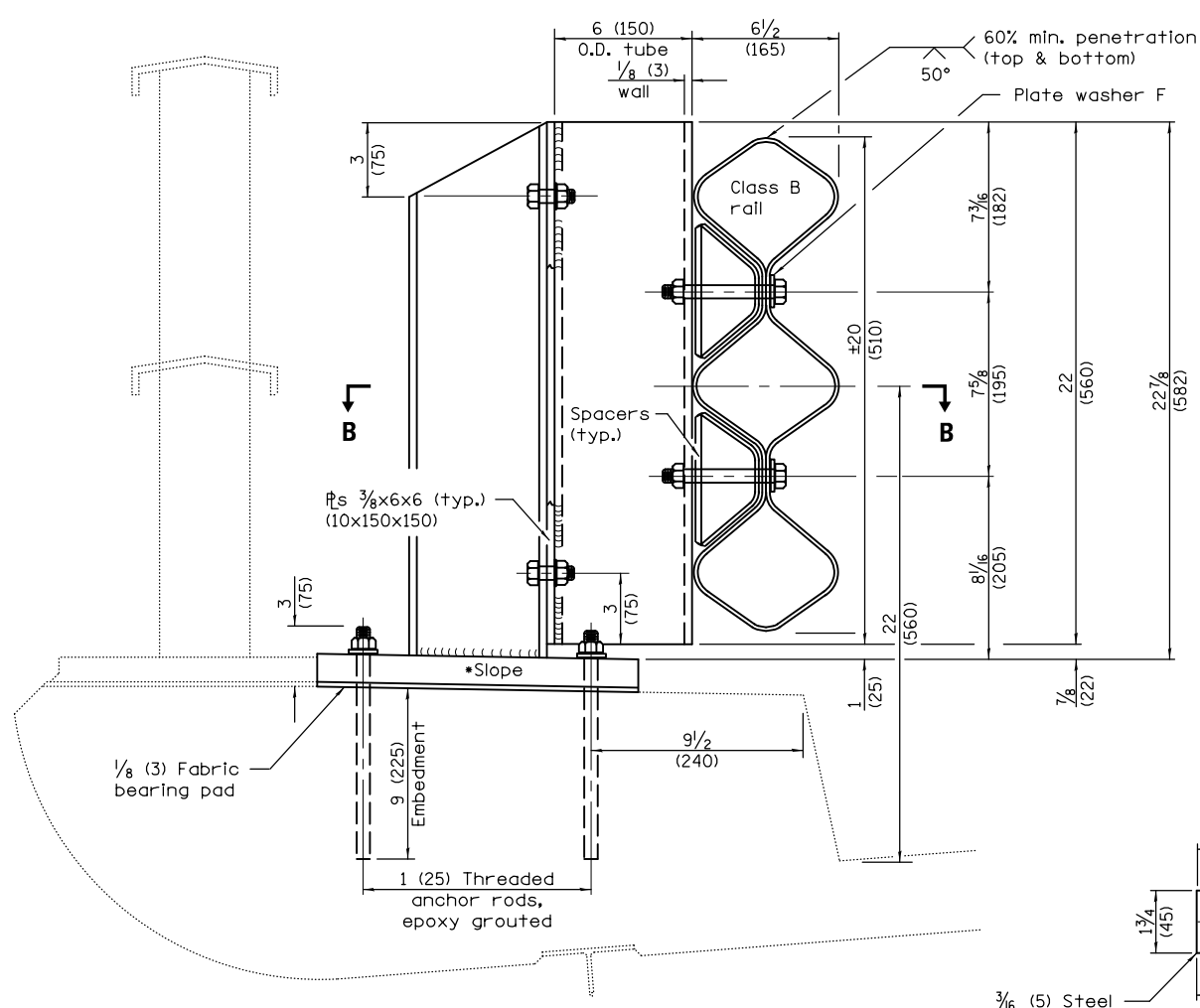


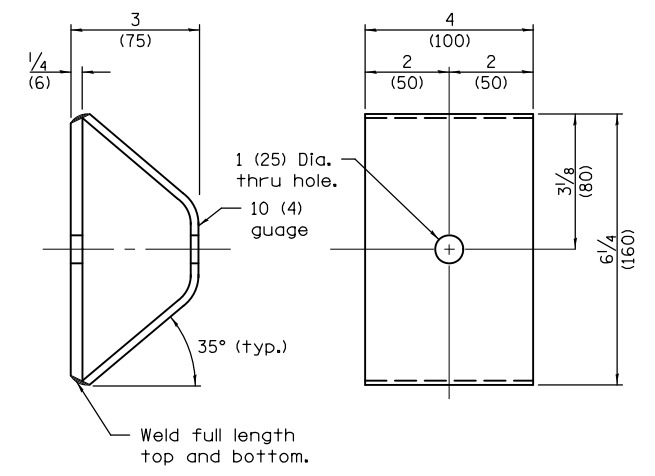
**SECTION B-B**



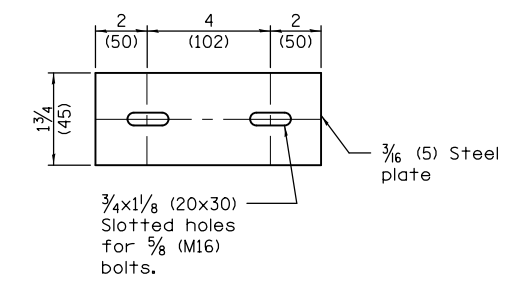
**TUBE TO POST ATTACHMENT**



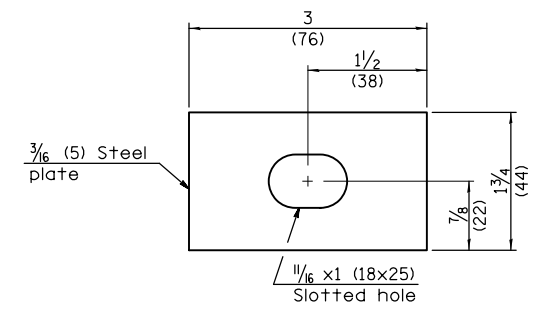
**POST**



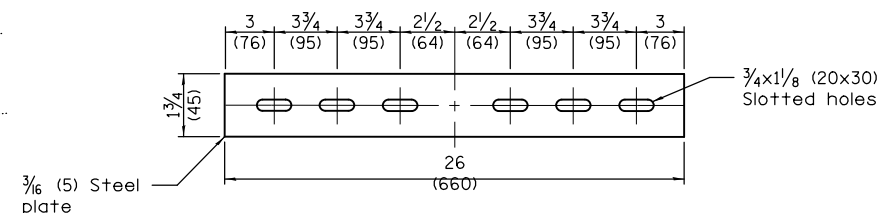
**SPACER**



**PLATE WASHER B**



**PLATE WASHER F**



**PLATE WASHER C**

**TUBULAR THRIE BEAM  
RETROFIT RAIL FOR BRIDGES**  
(Sheet 3 of 3)

STANDARD 509001-02

\*D5 GUARDRAIL & FENCE REPAIR-2013