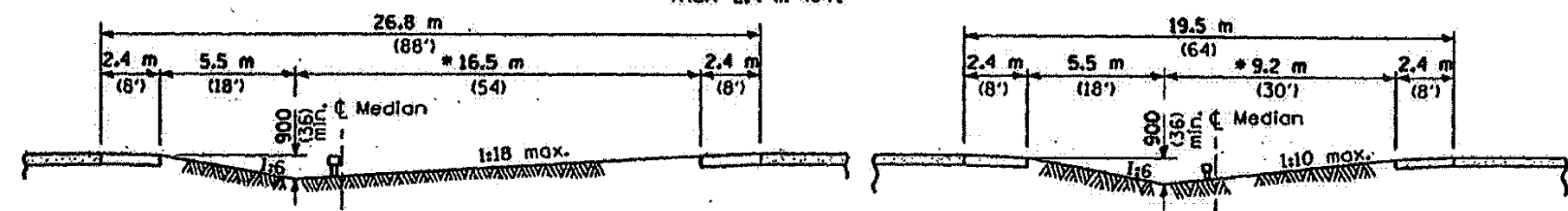


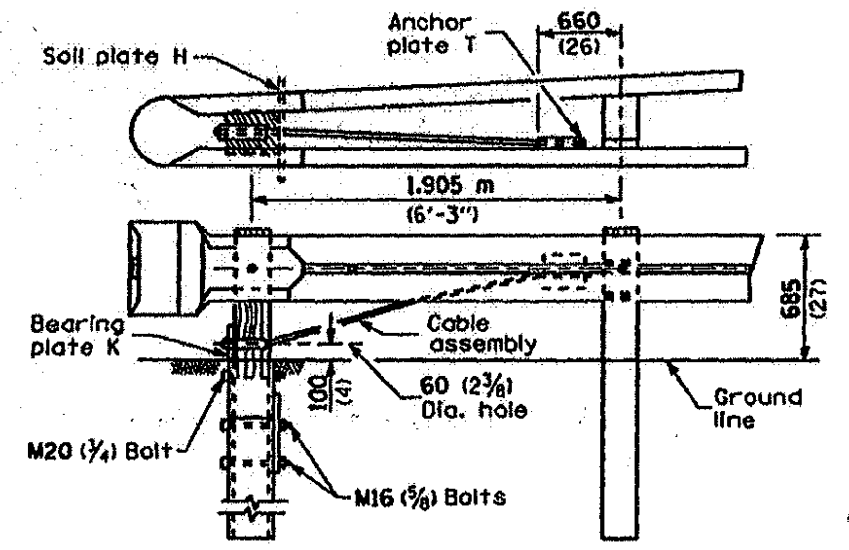
RETURNED END DETAIL

* Adjust this dimension when the width of the shoulders is other than 2.4 m (8').

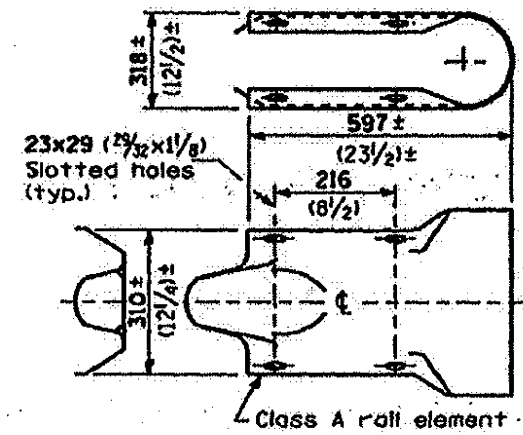


SECTION A-A

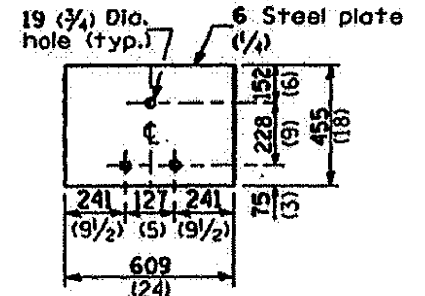
SECTION B-B



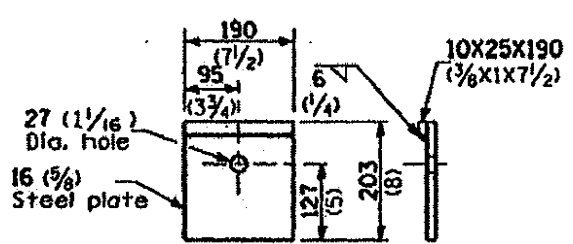
WOOD POST TUBULAR STEEL FOUNDATION



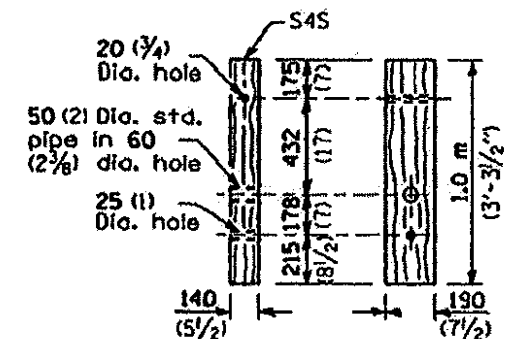
RETURN END SECTION



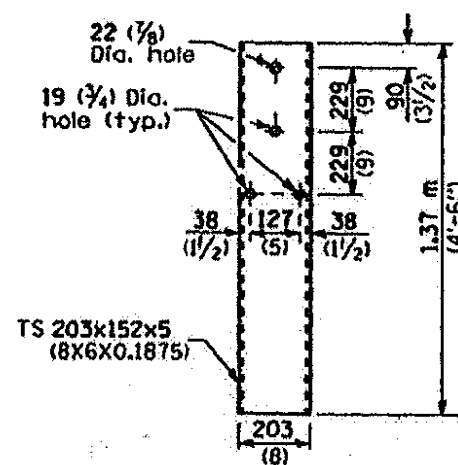
SOIL PLATE H



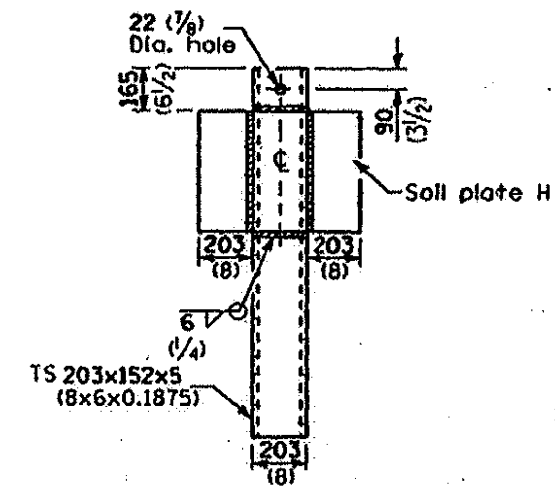
BEARING PLATE K



WOOD BREAKAWAY POST



STEEL TUBE



ALTERNATE SOIL PLATE CONNECTION

All dimensions are in millimeters (inches) unless otherwise shown.

TRAFFIC BARRIER TERMINAL TYPE 4
(Sheet 2 of 2)
STANDARD 631021-01

Illinois Department of Transportation
PASSED October 1, 1998
Charles Kullback
ENGINEER OF POLICY AND PROCEDURES
APPROVED October 1, 1998
Bill Hunter
ENGINEER OF DESIGN AND ENVIRONMENT

FILE NAME =	USER NAME = ceerlockjd	DESIGNED -	REVISED -	STATE OF ILLINOIS DEPARTMENT OF TRANSPORTATION	PLAN DETAIL OF TRAFFIC BARRIER TERMINAL TYPE 4	F.A. RTE.	SECTION	COUNTY	TOTAL SHEETS	SHEET NO.	
es:\pwork\pwork\ceerlockjd\0331926\0370419-sht-details.dgn	PLOT SCALE = 48.0000 / in.	DRAWN -	REVISED -			VAR.	.	VARIOUS	19	16	
\$MODELNAME\$	PLOT DATE = 2/8/2013	CHECKED -	REVISED -			CONTRACT NO. 70A19					
		DATE = 02/04/13	REVISED -			ILLINOIS FED. AID PROJECT					