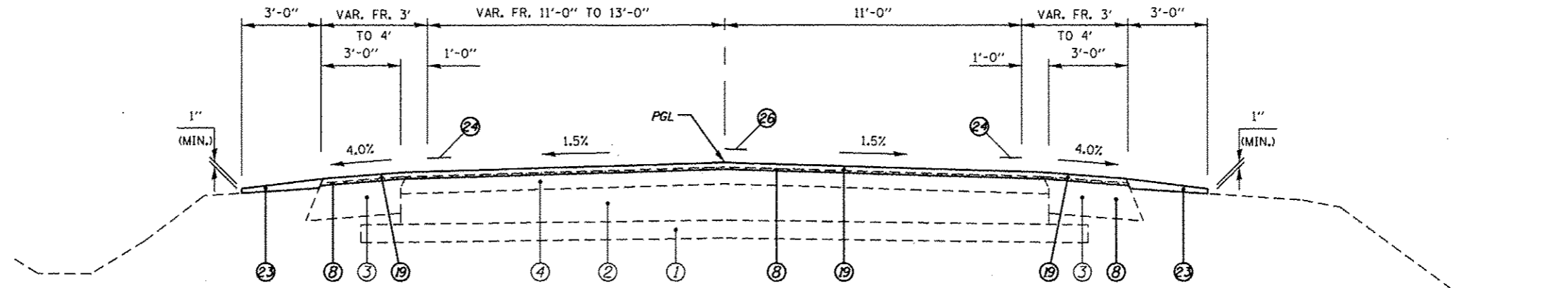
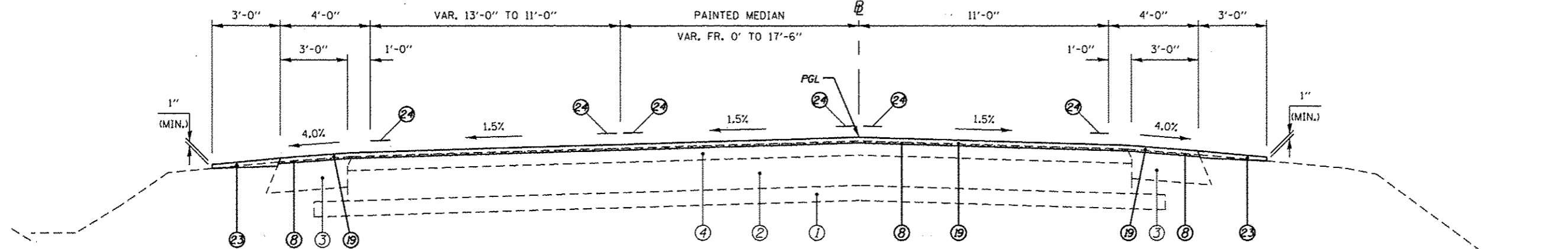


☉ F.A.P. 63 (US 24)



(1) STA. 285+70.00 TO STA. 287+72.63 [202.63']

F.A.P. 63 (US 24)



(2) STA. 287+72.63 TO STA. 291+01.71 [329.08']

LEGEND

- | | | | |
|---|---|--|---|
| ① EXIST. 4" SUB-BASE GRANULAR MATERIAL | ⑩ PROP. HOT-MIX ASPHALT SURFACE REMOVAL, 1 1/2" | ⑬ PROP. SUBBASE GRANULAR MATERIAL, TYPE B 4" | ⑲ PROP. HOT-MIX ASPHALT SURFACE COURSE, MIX "D", N70 1 1/2" |
| ② EXIST. 8" P.C.C. PAVEMENT | ⑪ PROP. CONCRETE MEDIAN SURFACE REMOVAL | ⑭ PROP. HMA BASE COURSE 11" *** | ⑳ PROP. COMBINATION CONCRETE CURB AND GUTTER, TYPE M-4.24 |
| ③ EXIST. 8" H.M.A. SHOULDER | ⑫ PROP. SUBBASE GRANULAR MATERIAL, TYPE A 8" | ⑮ PROP. PCC BASE COURSE WIDENING 9" | ㉑ PROP. CONCRETE MEDIAN SURFACE, 4" |
| ④ EXIST. 4" OVERLAY | ⑬ PROP. SUBBASE GRANULAR MATERIAL, TYPE A 8" | | ㉒ PROP. CONCRETE MEDIAN, TYPE SM-4.24 |
| ⑤ EXIST. COMBINATION CURB AND GUTTER, TYPE B-6.06 | ⑭ PROP. HMA BASE COURSE 11" *** | | ㉓ PROP. AGGREGATE WEDGE SHOULDER, TYPE B |
| ⑥ PROP. PAVEMENT REMOVAL | ⑮ PROP. PCC BASE COURSE WIDENING 9" | | ㉔ PROP. MODIFIED URETHANE PAVEMENT MARKING - LINE 5" |
| ⑦ PROP. PAVED SHOULDER REMOVAL | | | ㉕ PROP. MODIFIED URETHANE PAVEMENT MARKING - LINE 8" |
| ⑧ PROP. HOT-MIX ASPHALT SURFACE REMOVAL (VARIABLE DEPTH) * | | | ㉖ PROP. PREFORMED PLASTIC PAVEMENT MARKING, TYPE B TYPE B - LINE 5" |
| ⑨ PROP. HOT-MIX ASPHALT SURFACE REMOVAL, 1 1/2" | | | ㉗ PROP. PREFORMED PLASTIC PAVEMENT MARKING, TYPE B TYPE B - LINE 6" |
| ⑩ PROP. HOT-MIX ASPHALT SURFACE REMOVAL, 1 1/2" | | | |
| ⑪ PROP. CONCRETE MEDIAN SURFACE REMOVAL | | | |
| ⑫ PROP. SUBBASE GRANULAR MATERIAL, TYPE B 4" | | | |
| ⑬ PROP. SUBBASE GRANULAR MATERIAL, TYPE A 8" | | | |
| ⑭ PROP. HMA BASE COURSE 11" *** | | | |
| ⑮ PROP. PCC BASE COURSE WIDENING 9" | | | |
| ⑯ PROP. HOT-MIX ASPHALT SURFACE COURSE, MIX "D", N70 1 1/2" | | | |
| ⑰ PROP. HOT-MIX ASPHALT SHOULDERS 6 1/2" | | | |
| ⑱ PROP. COMBINATION CONCRETE CURB AND GUTTER, TYPE M-4.24 | | | |
| ㉑ PROP. CONCRETE MEDIAN SURFACE, 4" | | | |
| ㉒ PROP. CONCRETE MEDIAN, TYPE SM-4.24 | | | |
| ㉓ PROP. AGGREGATE WEDGE SHOULDER, TYPE B | | | |
| ㉔ PROP. MODIFIED URETHANE PAVEMENT MARKING - LINE 5" | | | |
| ㉕ PROP. MODIFIED URETHANE PAVEMENT MARKING - LINE 8" | | | |
| ㉖ PROP. PREFORMED PLASTIC PAVEMENT MARKING, TYPE B TYPE B - LINE 5" | | | |
| ㉗ PROP. PREFORMED PLASTIC PAVEMENT MARKING, TYPE B TYPE B - LINE 6" | | | |

* NOMINAL MILLING DEPTH 1/2" @ ☉ OR pgl
 *** WHERE WIDENING IS GREATER THAN 6' OR UNDER NEW TURN LANE