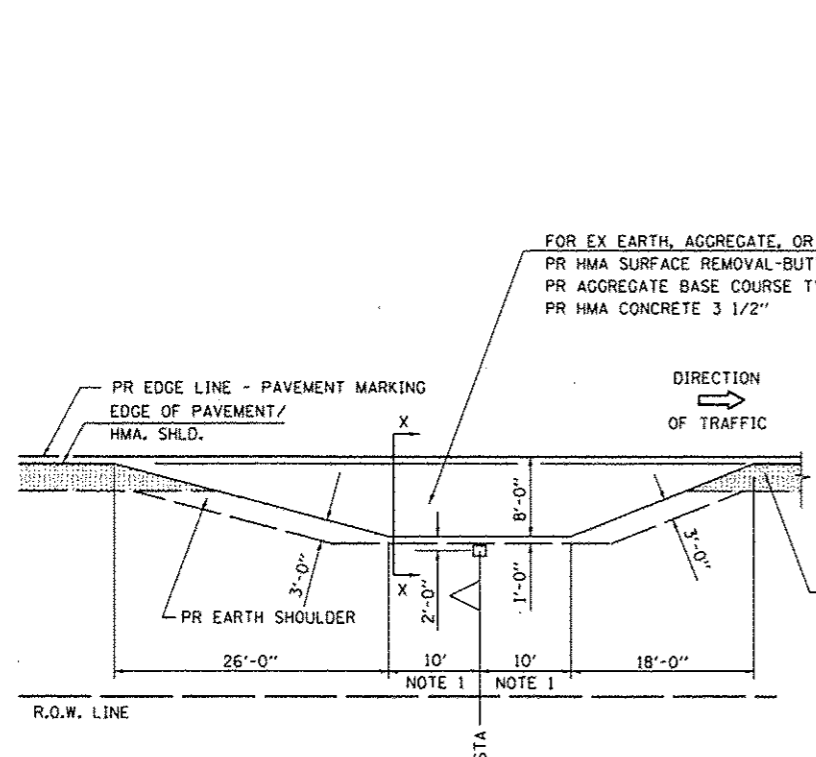
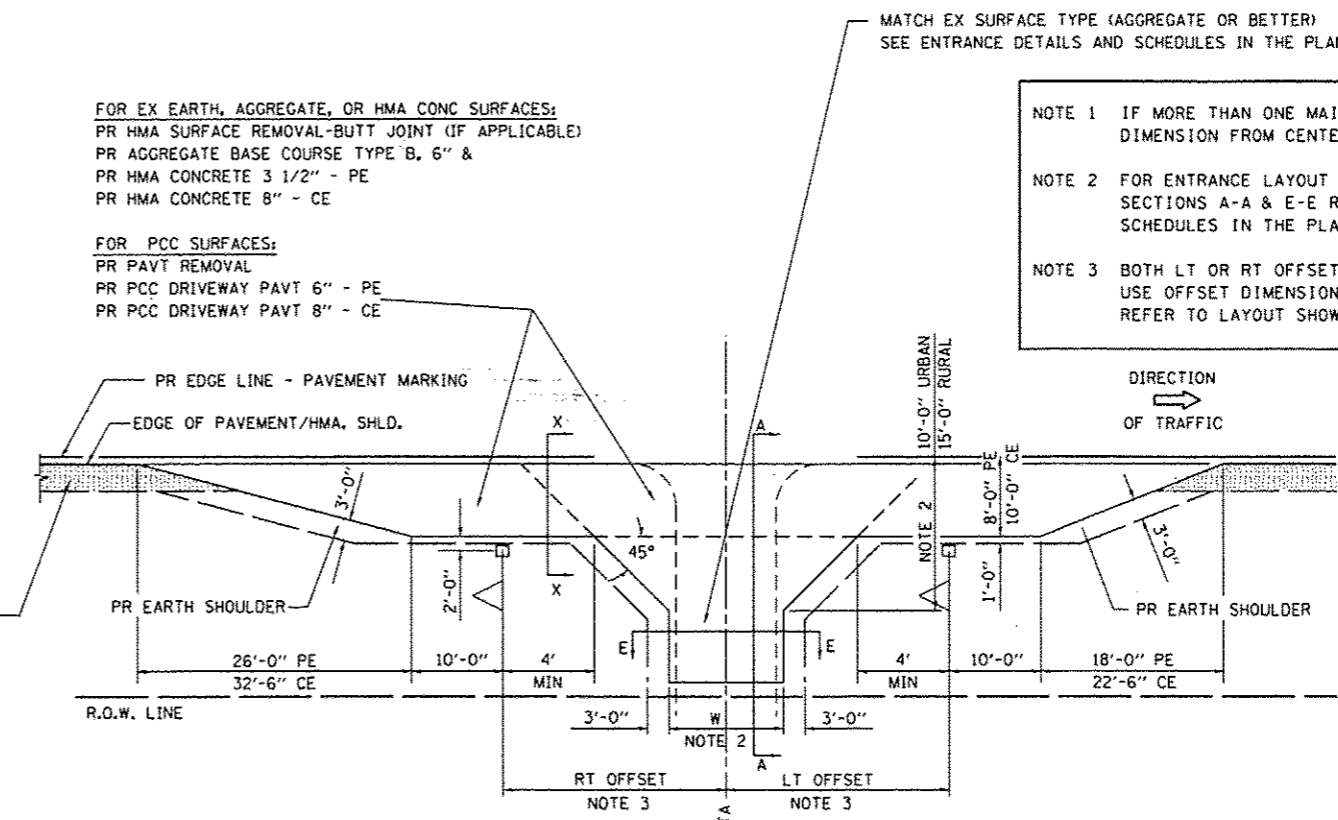


DETAILS OF MAILBOX TURNOUTS

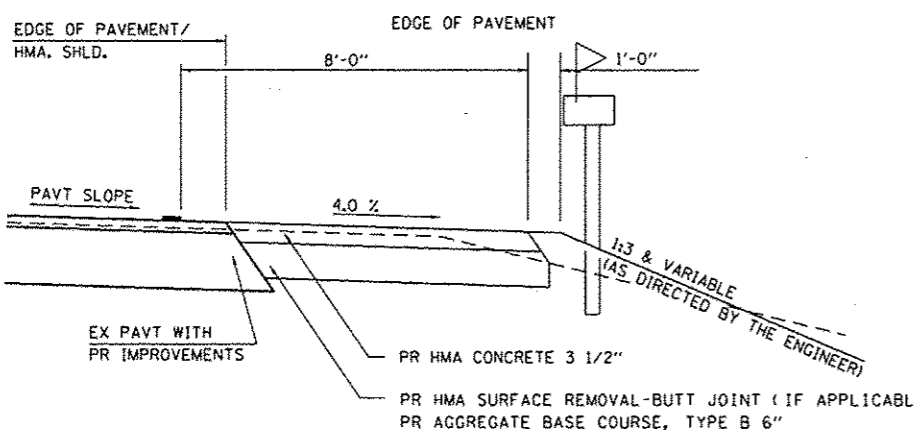


PLAN - MAILBOX TURNOUTS

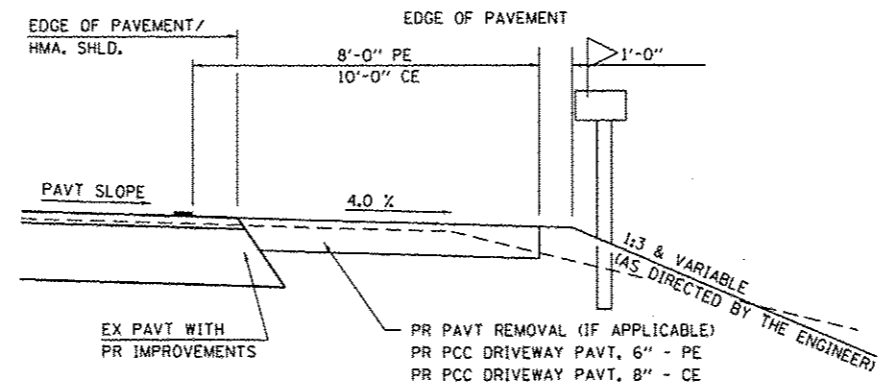


PLAN - COMBINED MAILBOX TURNOUT WITH TRAILING OR LEADING ENTRANCE

NOTE 1 IF MORE THAN ONE MAILBOX IS PRESENT, DIMENSION FROM CENTER OF END MAILBOX.
 NOTE 2 FOR ENTRANCE LAYOUT DIMENSIONS AND SECTIONS A-A & E-E REFER TO THE SCHEDULES IN THE PLANS.
 NOTE 3 BOTH LT OR RT OFFSETS FOR MAILBOX SHOWN USE OFFSET DIMENSION PER SCHEDULE AND REFER TO LAYOUT SHOWN ON THE PLAN.



SECTION X-X THRU MAILBOX TURNOUT COMBINED WITH EX CONC PE OR CE



SECTION X-X THRU MAILBOX TURNOUT COMBINED WITH EX EARTH, AGGREGATE, OR HMA CE