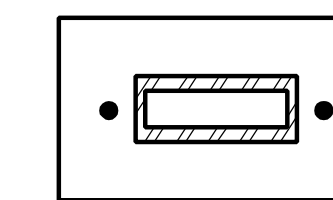
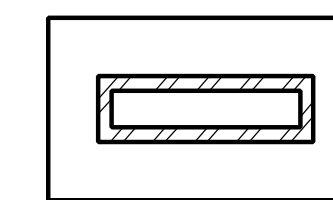
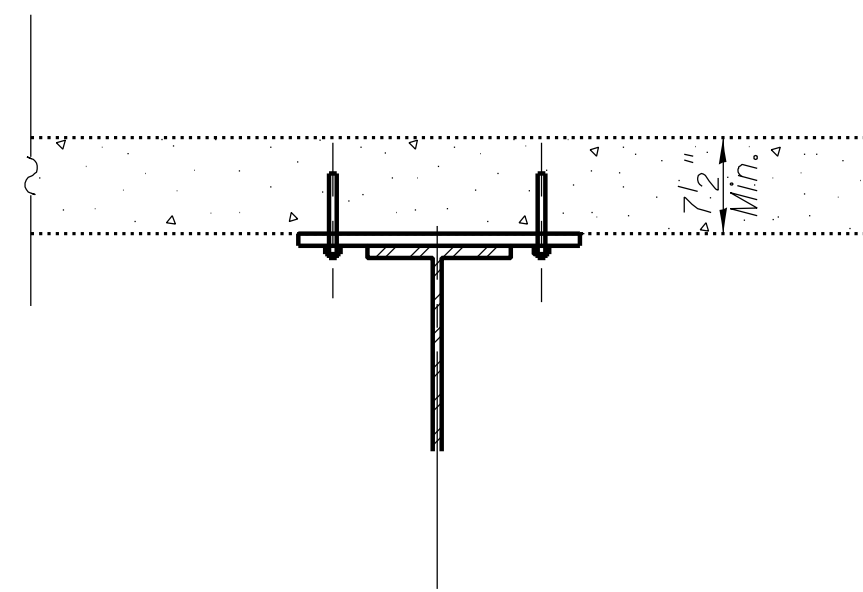
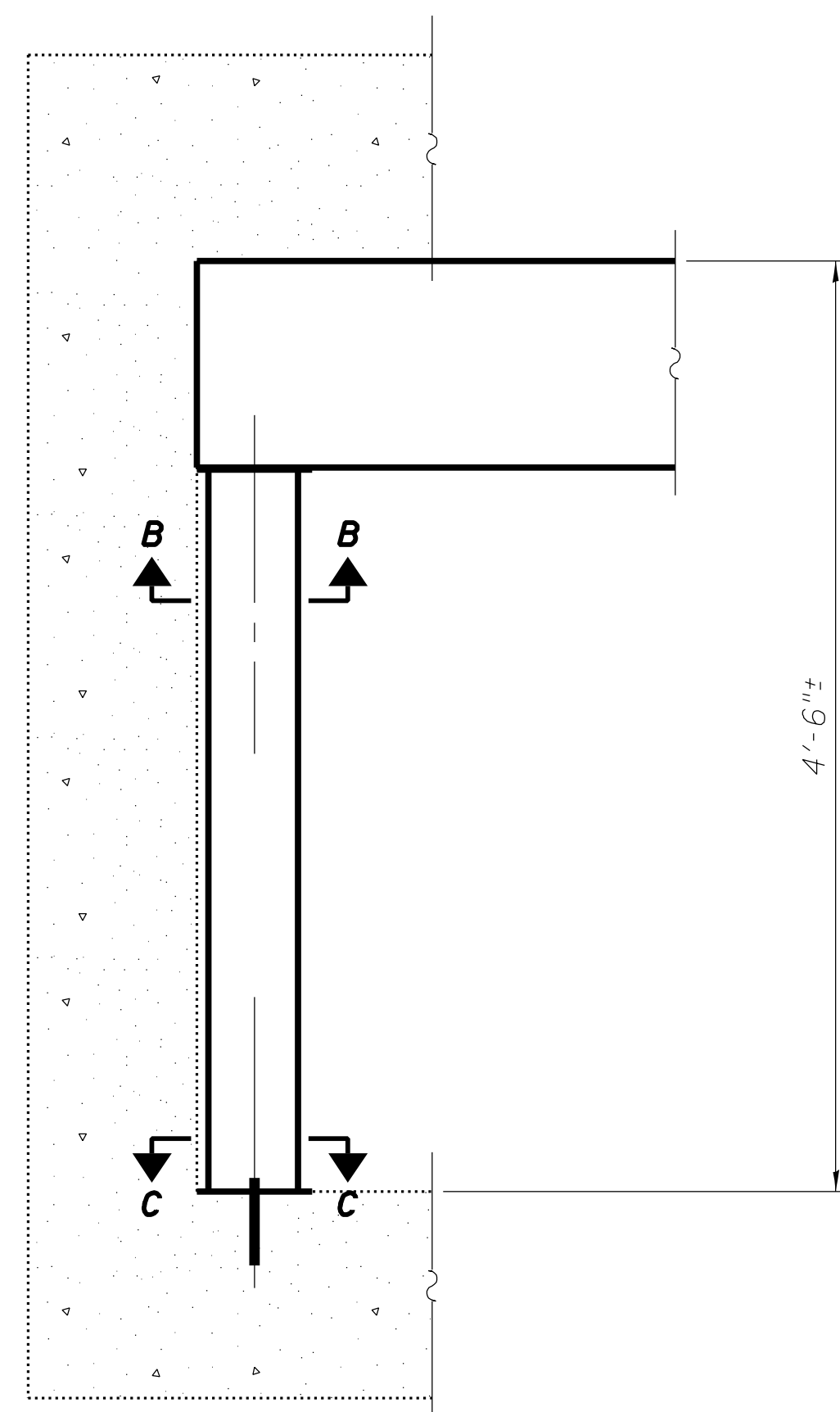
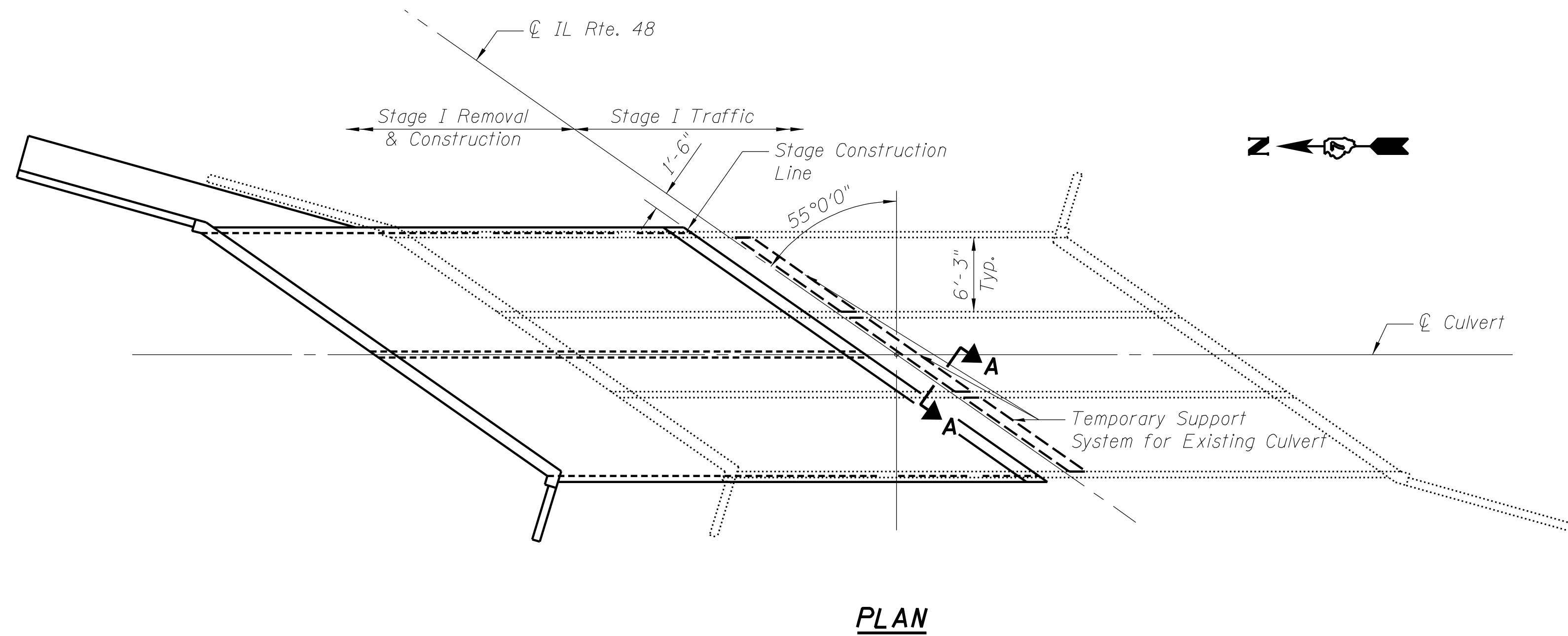


GENERAL NOTES

The Contractor shall submit a Temporary Support System design. See special provision for Temporary Support System.



TOTAL BILL OF MATERIAL

ITEM	UNIT	TOTAL
Temporary Support System	L. Sum	1

PRINTED DATE: 10/30/2012
FILE NAME: N:\PROJECTS\1001\PTB 148\Item 25 - 07 Various Design\Work Order 09\CADD\Drawings\Sheets\236.03.04_TempShoring.dgn



USER NAME = \$USER\$
PLOT SCALE = 0:1.0000 '1' / IN.
PLOT DATE = 10/30/2012

DESIGNED - DF
CHECKED - JA
DRAWN - ADG
CHECKED - JA

REVISED -
REVISED -
REVISED -
REVISED -

STATE OF ILLINOIS
DEPARTMENT OF TRANSPORTATION

TEMPORARY SHORING DETAILS
STRUCTURE NO. 058-2012

SHEET NO. 4 OF 8 SHEETS

F.A.U. RTE.	SECTION	COUNTY	TOTAL SHEETS	SHEET NO.
7464	(126BR)B	MACON	44	33
CONTRACT NO. 74156				
ILLINOIS FED. AID PROJECT				