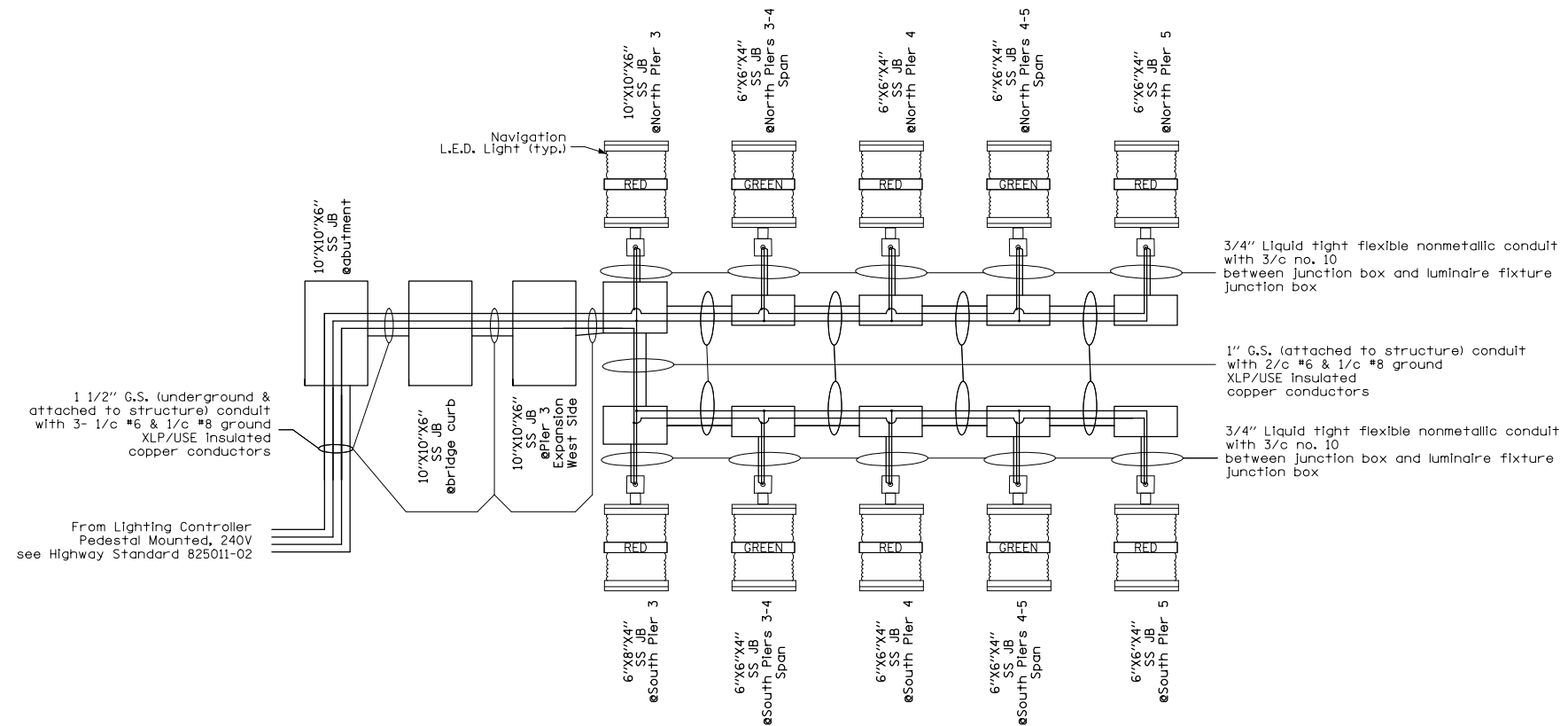


NAVIGATION LUMINAIRE



WIRING DIAGRAM FOR NAVIGATION LIGHTING

| | | | | | | | | | | | | | |
|--|------------------------------|------------|-----------|---|--|-----------|-----------|------|---------------------------|---------|----------|--------------|-----------|
| FILE NAME = | USER NAME = prestonme | DESIGNED - | REVISED - | STATE OF ILLINOIS DEPARTMENT OF TRANSPORTATION | NAVIGATION LIGHTING SYSTEM 2 OF 2 | | | | F.A.S. RTE. | SECTION | COUNTY | TOTAL SHEETS | SHEET NO. |
| et:\pw\work\p\idot\prestonme\d0144648\d076409-sh-t-light.dgn | PLOT SCALE = 100.0000' / in. | DRAWN - | REVISED - | | | | | | 858 | 12VB-II | RANDOLPH | 72 | 33 |
| | PLOT DATE = 12/24/2012 | CHECKED - | REVISED - | | CONTRACT NO. 76409 | | | | ILLINOIS FED. AID PROJECT | | | | |
| | | DATE - | REVISED - | | SCALE: | SHEET NO. | OF SHEETS | STA. | TO STA. | | | | |