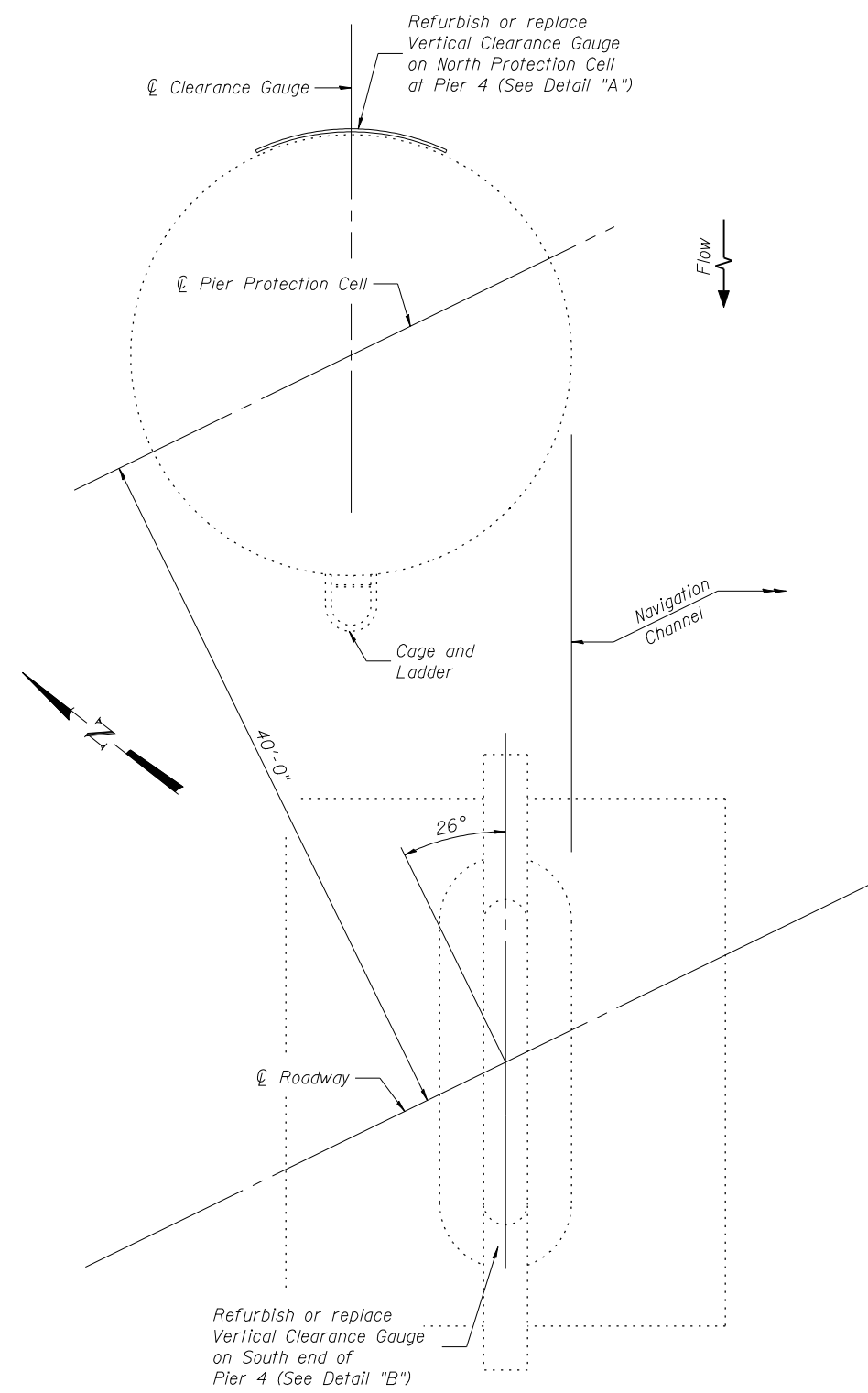
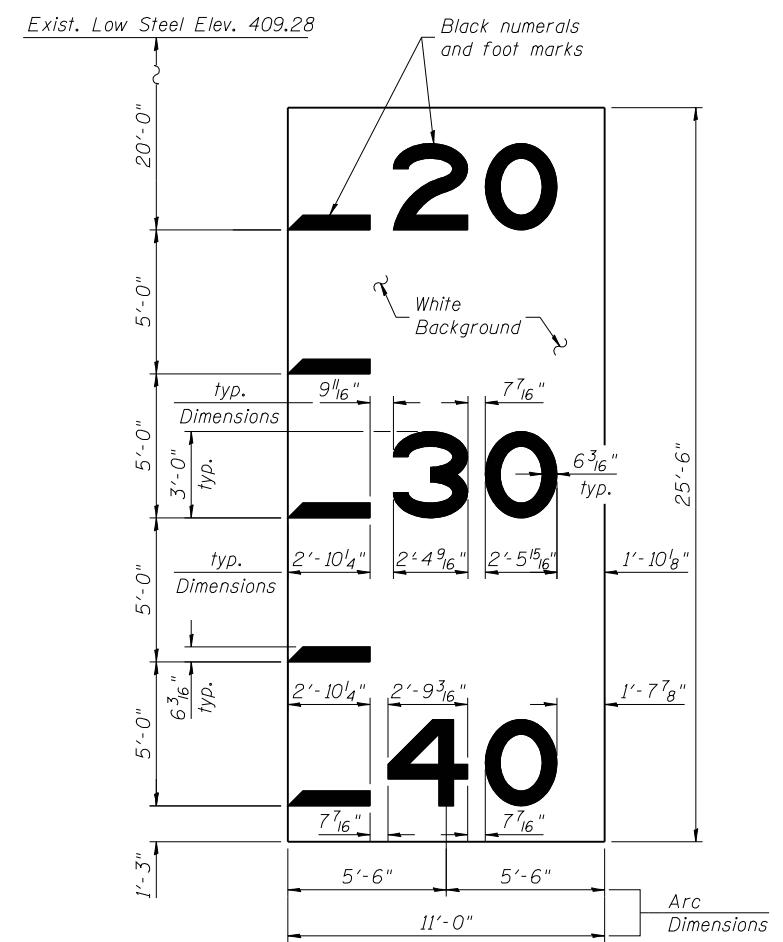


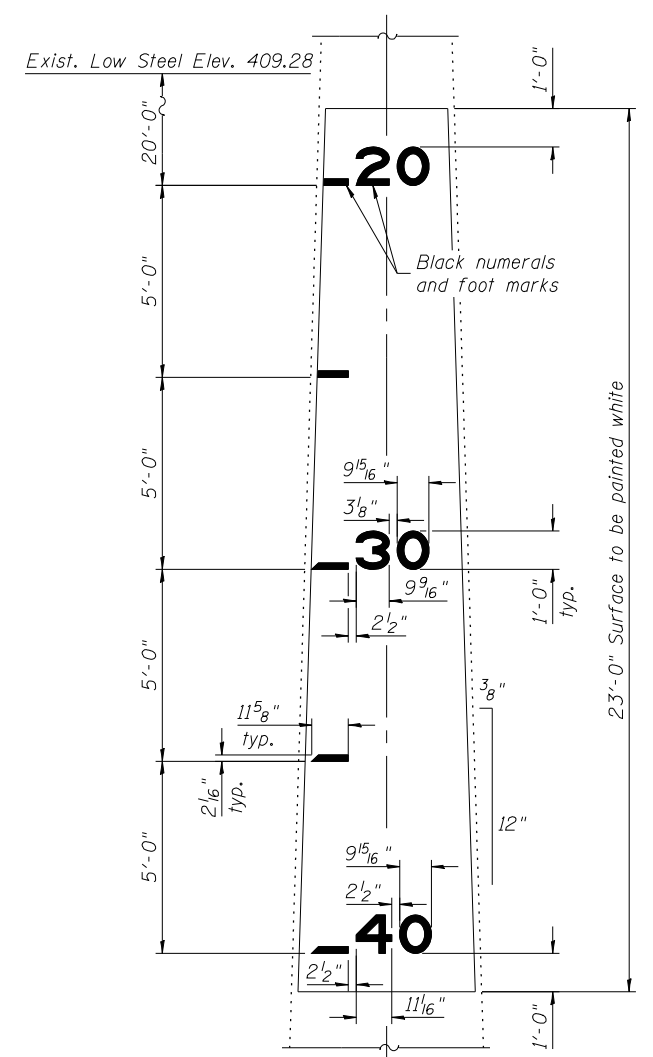
PRINT DATE: 9/27/2011 1:30:42 PM z:\11015_bla_idot_coast_road\p\plansheets\0790019-013-V_Clr_Gauges_Details.dgn



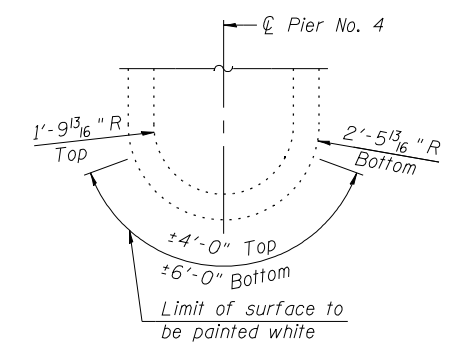
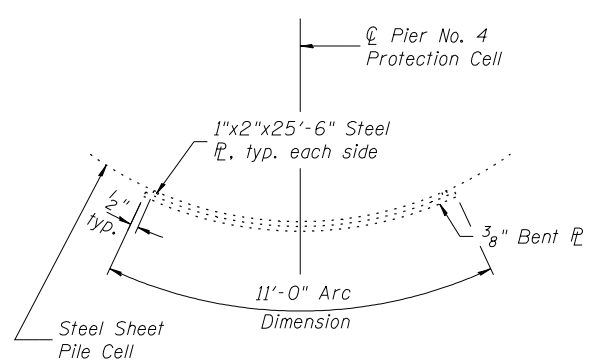
PLAN AT PIER 4
See Special Provisions



DETAIL "A"
EXISTING CELL NO. 1
GAUGE DETAILS
See Special Provisions



DETAIL "B"
EXISTING PIER NO. 4
GAUGE DETAILS
See Special Provisions



EFK Moen, LLC
Civil Engineering Design
331 Salem Place, Suite 225
Fairview Heights, IL 62208
Phone 618-206-4250

USER NAME = jo	DESIGNED - CTW	REVISED -
PLOT SCALE = 0:1' = 1/4" IN.	CHECKED - CDL	REVISED -
PLOT DATE = 9/27/2011	DRAWN - DP	REVISED -
	DATE - 9/27/2011	REVISED -

STATE OF ILLINOIS
DEPARTMENT OF TRANSPORTATION

VERTICAL CLEARANCE GAUGE DETAILS
STRUCTURE NO. 079-0019

SHEET NO. 13 OF 13 SHEETS

F.A.S. RTE.	SECTION	COUNTY	TOTAL SHEETS	SHEET NO.
858	12VB-11	RANDOLPH	72	46
ILLINOIS FED. AID PROJECT			CONTRACT NO. 76409	