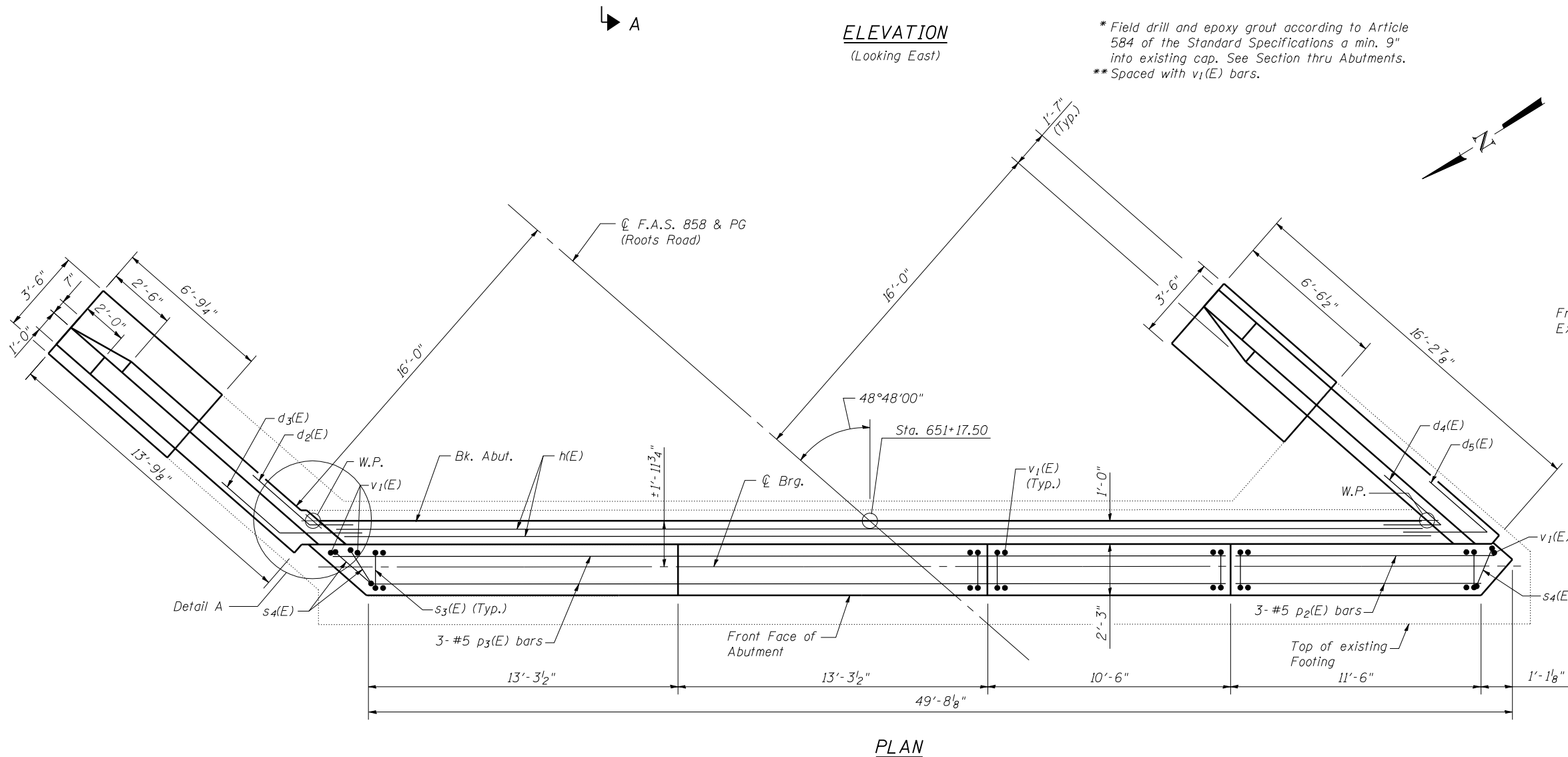
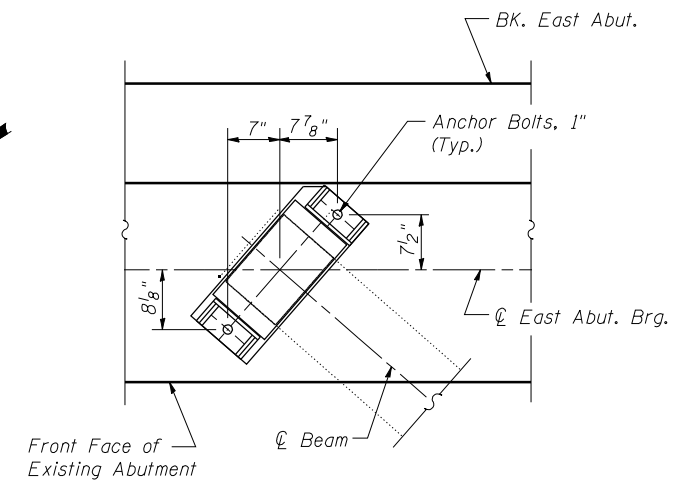


**ELEVATION**  
(Looking East)

\* Field drill and epoxy grout according to Article 584 of the Standard Specifications a min. 9" into existing cap. See Section thru Abutments.  
\*\* Spaced with  $v_1(E)$  bars.



**PLAN**



**ANCHOR BOLT DETAIL  
EAST ABUTMENT**

Notes:  
Cut  $p_2(E)$  and  $p_3(E)$  bars to fit with 2" clear.  
For Section A-A, Bar Bends and Bill of Material see sheet 20 of 26.  
Hatched area quantity of concrete included with Concrete Superstructure.  
Space reinforcement to miss Anchor Bolts.  
Bars shall be drilled and grouted according to Section 584 of the Standard Specifications.  
See sheet 19 of 26 for Wing Wall Details.  
See sheet 16 of 26 for Detail A.

FILE NAME = \sheet 18 (E Abut) d1s1.dgn	USER NAME = bselbel	DESIGNED - BB	REVISED -
BERNHARDT LOGGEMULLER & ASSOCIATES, INC. 3 OAK DRIVE MARTINEVILLE, ILLINOIS 62450 PHONE (618) 298-4000 FAX (618) 298-4000	Illinois Design Firm Number 184,001670	CHECKED - ACS	REVISED -
	PLOT SCALE =	DRAWN - WJS	REVISED -
	PLOT DATE = 1:56 PM 12/20/2011	CHECKED - CJF	REVISED -

**STATE OF ILLINOIS  
DEPARTMENT OF TRANSPORTATION**

**EAST ABUTMENT  
STRUCTURE NO. 079-0020**

SHEET NO. 18 OF 26 SHEETS

F.A.S. RTE.	SECTION	COUNTY	TOTAL SHEETS	SHEET NO.
858	12VB-11	RANDOLPH	72	64
			CONTRACT NO. 76409	
ILLINOIS FED. AID PROJECT				