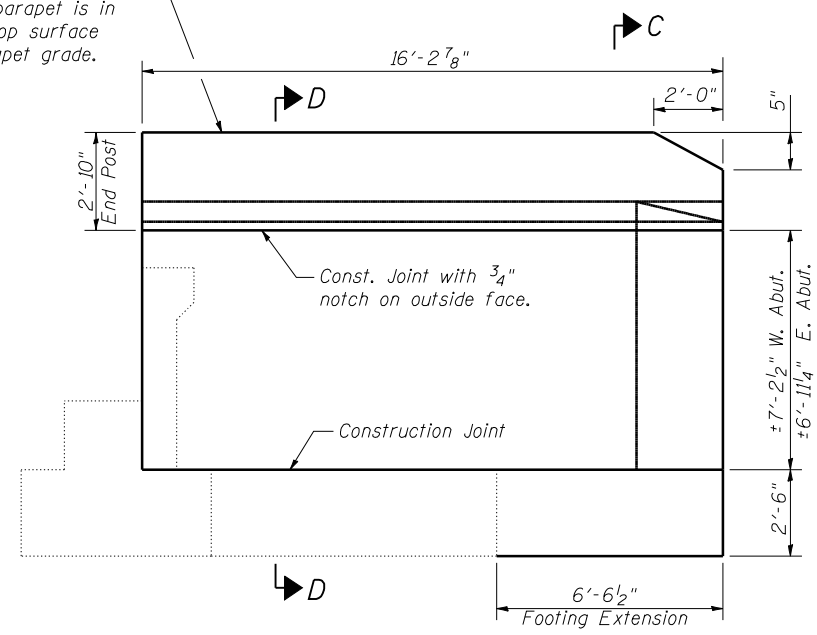


WING WALL ELEVATION

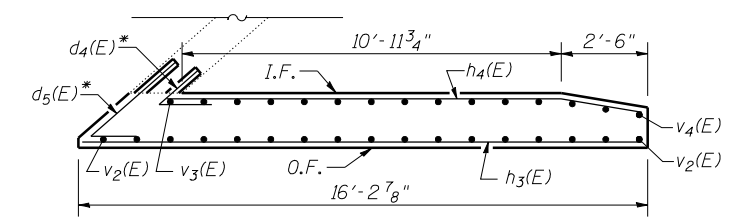
West Abutment, North Wing
East Abutment, South Wing
(Showing Reinforcement)

End Post shall be poured after bridge parapet is in place. Form top surface to match parapet grade.

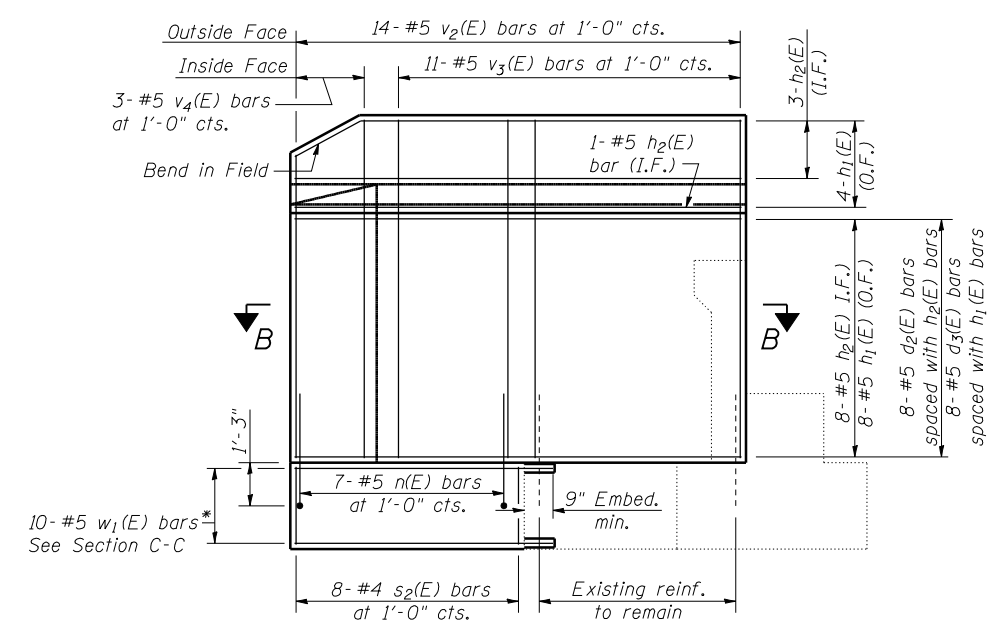


WING WALL ELEVATION

West Abutment, North Wing
East Abutment, South Wing
(Showing Dimensions)



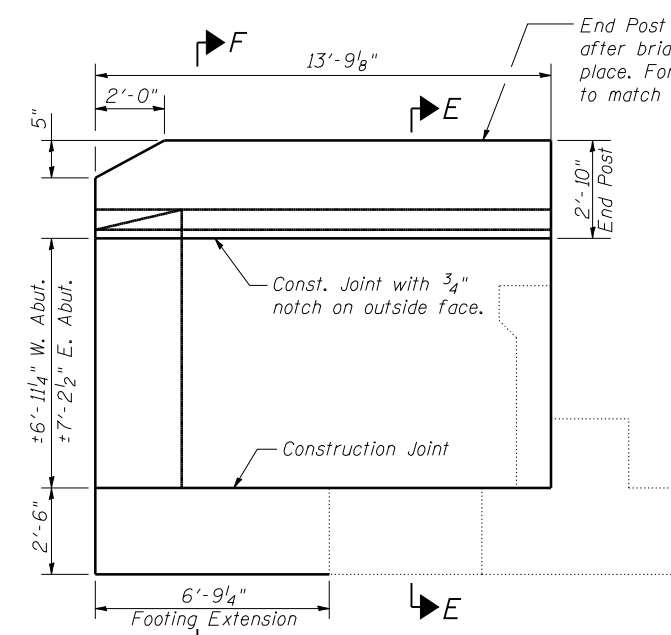
SECTION A-A



WING WALL ELEVATION

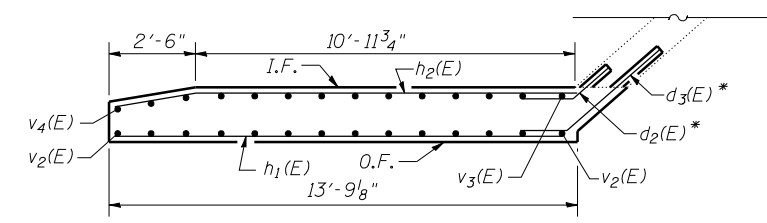
West Abutment, South Wing
East Abutment, North Wing
(Showing Reinforcement)

End Post shall be poured after bridge parapet is in place. Form top surface to match parapet grade.



WING WALL ELEVATION

West Abutment, South Wing
East Abutment, North Wing
(Showing Dimensions)



SECTION B-B

Notes:
I.F. indicates inside face
O.F. indicates outside face
For Sections C-C and D-D see sheet 20 of 26.
Order v₂(E), v₃(E) & v₄(E) bars full length and cut to fit in field.

* Bars shall be field drilled & epoxy grouted according to Article 584 of the Standard Specifications a min. of 9" into existing structure. d₂(E) thru d₅(E) bars to be field drilled and epoxy grouted 9" min. into existing backwall.

FILE NAME = \sheet 19 (Abutment dtls).dgn	USER NAME = bselbel	DESIGNED - BB	REVISED -
BERNHARDT LOGGEMULLER & ASSOCIATES, INC. 3 OAK DRIVE MARYVILLE, ILLINOIS 62458 PHONE (618) 391-4000 FAX (618) 391-4000	Illinois Design Firm Number 184.001670	CHECKED - ACS	REVISED -
	PLOT SCALE =	DRAWN - WJS	REVISED -
	PLOT DATE = 1/2/19 PM 12/20/2011	CHECKED - CJF	REVISED -

**STATE OF ILLINOIS
DEPARTMENT OF TRANSPORTATION**

**ABUTMENT DETAILS
STRUCTURE NO. 079-0020**

SHEET NO. 19 OF 26 SHEETS

F.A.S. RTE.	SECTION	COUNTY	TOTAL SHEETS	SHEET NO.
858	12VB-11	RANDOLPH	72	65
CONTRACT NO. 76409				
ILLINOIS FED. AID PROJECT				