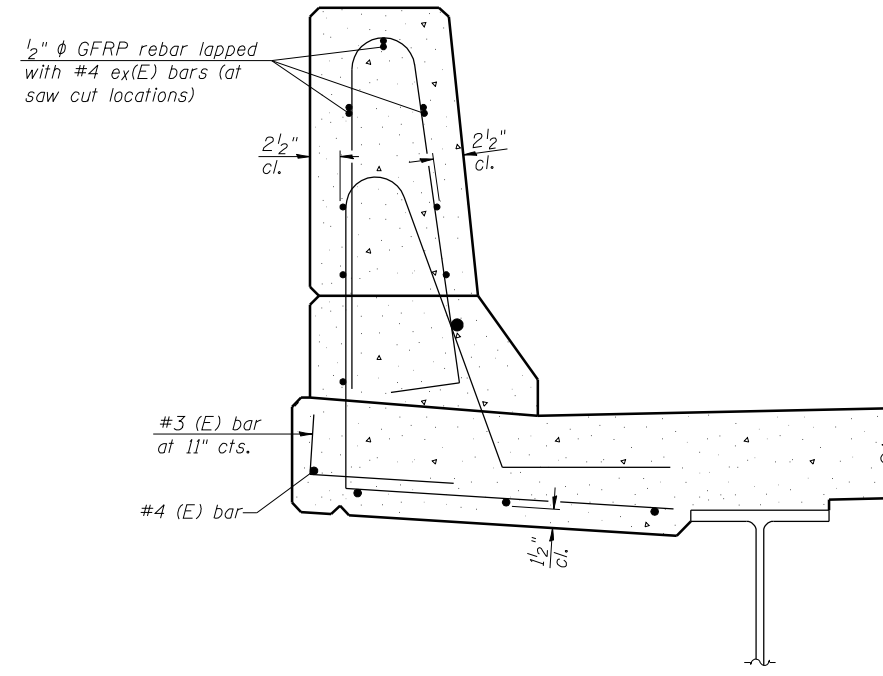


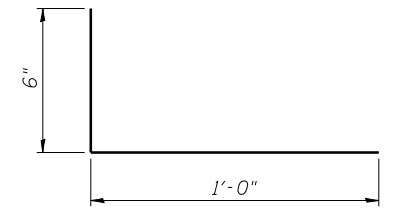
SECTION
(Showing dimensions)

* See Superstructure Details.

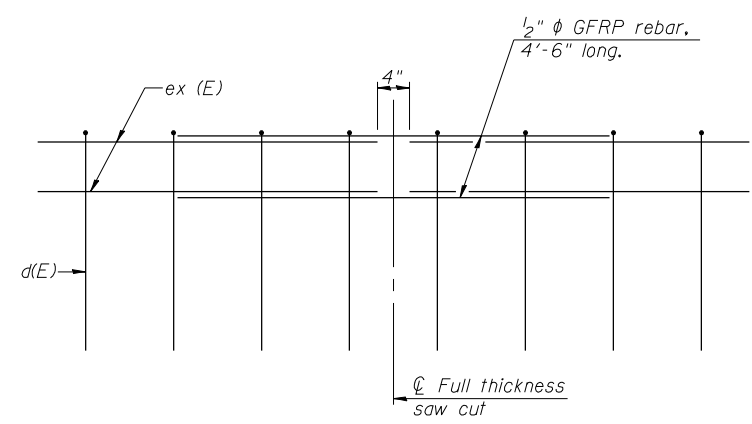


SECTION
(Showing reinforcement clearances for slip forming and additional reinforcement bars)

GENERAL NOTES
All dimensions shall remain the same as shown on superstructure details, except dimensions A and B which are to be revised as shown to provide additional clearance. Additional concrete needed to revise dimension A and B = 0.0165 cu. yds./ft. of parapet.
Place aluminum sheet in curb portion at and near piers. Full thickness saw cut at all joint locations in lieu of cork joint filler.
Steel superstructure shown. Other superstructure types similar.



#3 (E) BAR



GFRP REBAR STIFFENING DETAIL
(Place as shown in parapet section at each parapet joint location.)

SFP-34 7-1-10

| | | | |
|---|--|------------|-----------|
| FILE NAME = \sheet 25 (parpet sf dt)1.dgn | USER NAME = bselbel | DESIGNED - | REVISED - |
| BERNHARDT LOGGHEMILLER & ASSOCIATES, INC. 3 OAK DRIVE MARTVILLE, ILLINOIS 60140 PHONE (618) 292-4000 FAX (618) 292-4000 | Illinois Design Firm Number 184,001670 | CHECKED - | REVISED - |
| PLOT SCALE = | DRAWN - WJS | REVISOR - | REVISED - |
| PLOT DATE = 11:53:23 AM 12/20/2011 | CHECKED - CJF | REVISOR - | REVISED - |

**STATE OF ILLINOIS
DEPARTMENT OF TRANSPORTATION**

**CONCRETE PARAPET SLIPFORMING OPTION
STRUCTURE NO. 079-0020**

SHEET NO. 25 OF 26 SHEETS

| | | | | |
|---------------------------|---------|----------|--------------|-----------|
| F.A.S. RTE. | SECTION | COUNTY | TOTAL SHEETS | SHEET NO. |
| 858 | 12VB-11 | RANDOLPH | 72 | 71 |
| CONTRACT NO. 76409 | | | | |
| ILLINOIS FED. AID PROJECT | | | | |