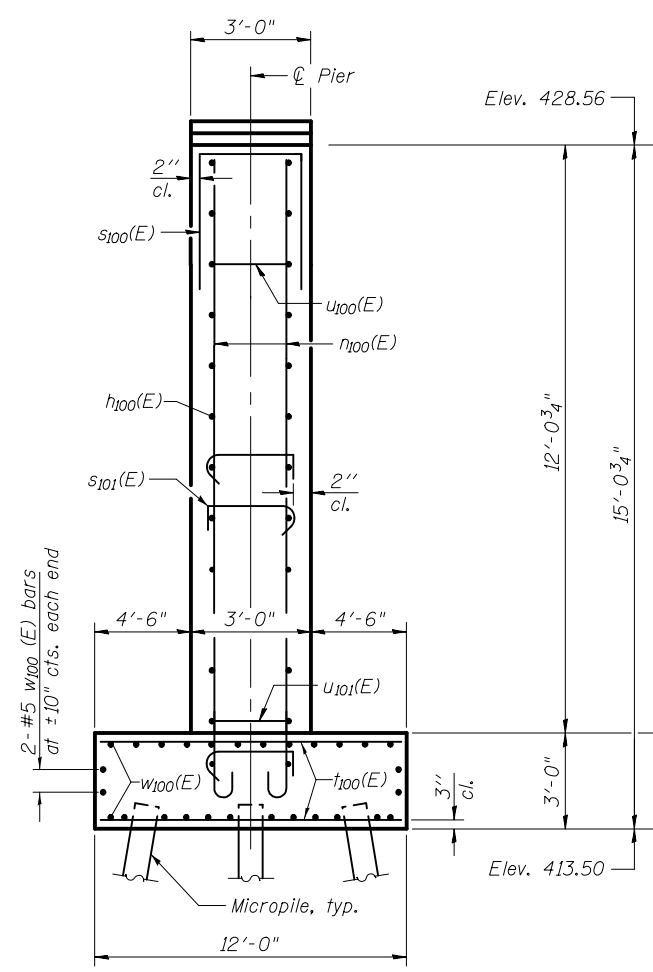


**PIER 1  
BILL OF MATERIAL**

Bar	No.	Size	Length	Shape
h100(E)	32	#6	33'-8"	—
n100(E)	80	#8	15'-3"	⌋
s100(E)	36	#4	8'-6"	⌋
s101(E)	288	#4	3'-9"	⌋
t100(E)	116	#8	11'-6"	—
u100(E)	16	#6	10'-7"	⌋
u101(E)	14	#6	5'-11"	⌋
w100(E)	28	#5	43'-6"	—
Structure Excavation			Cu. Yd.	143
Concrete Structures			Cu. Yd.	110.2
Reinforcement Bars, Epoxy Coated			Pound	11,020
Mechanical Splicers			Each	28

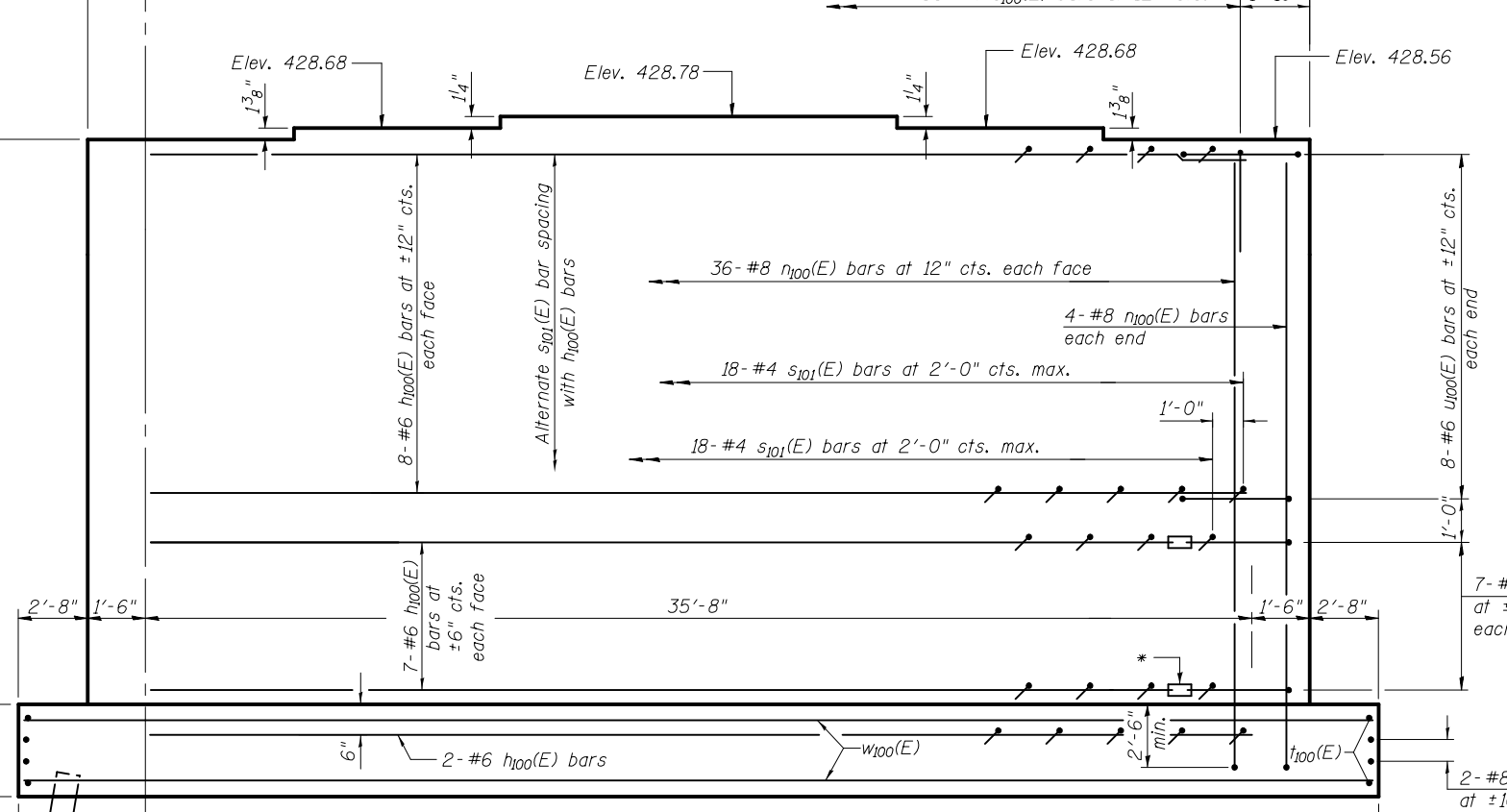
Notes:  
Space reinforcement in cap to miss anchor bolts.  
Pour steps monolithically with cap.  
See sheet 36 of 61 for anchor bolt layout and spacing.



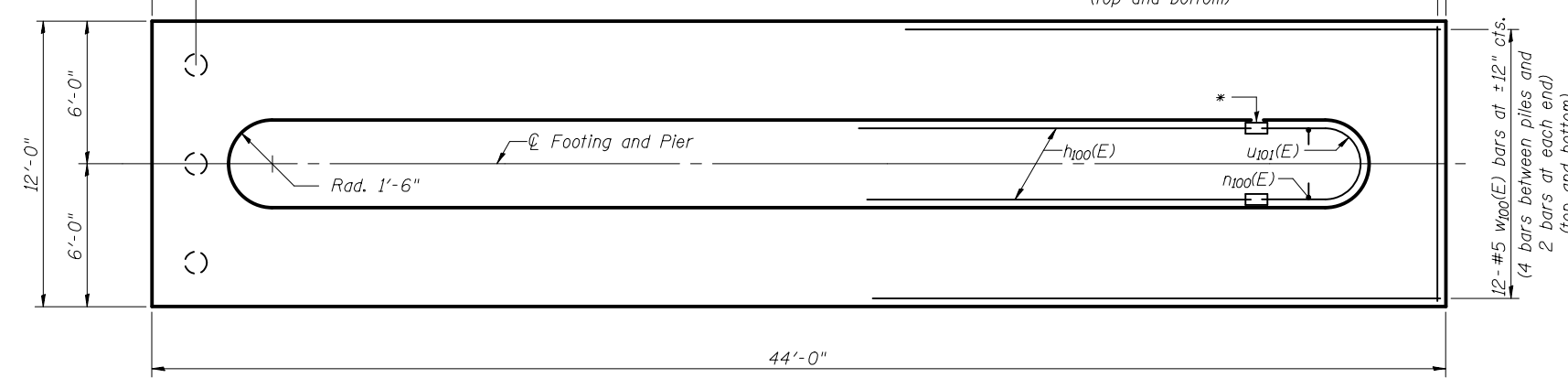
**END VIEW**

**PILE DATA**

Type: 9 5/8" Micropile  
For details of micropiles and tension micropiles, see sheets 47, 48 and 49 of 61.



**ELEVATION  
(Looking North)**



**FOOTING PLAN**



USER NAME =	DESIGNED - MJP	REVISED
PLOT SCALE =	CHECKED - ACK	REVISED
PLOT DATE = 2/1/2013	DRAWN - PRC	REVISED
	CHECKED - MJP	REVISED

STATE OF ILLINOIS  
DEPARTMENT OF TRANSPORTATION

PIER 1  
STRUCTURE NO. 014-0033

SHEET NO. 41 OF 61 SHEETS

F.A.P. RTE.	SECTION	COUNTY	TOTAL SHEETS	SHEET NO.
42	1-1BR-2	CLINTON	159	110
			CONTRACT NO. 76479	
ILLINOIS FED. AID PROJECT				