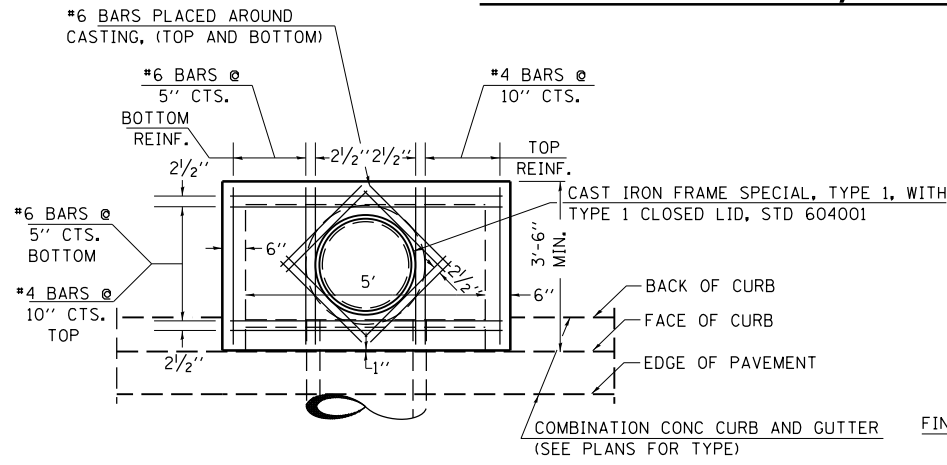
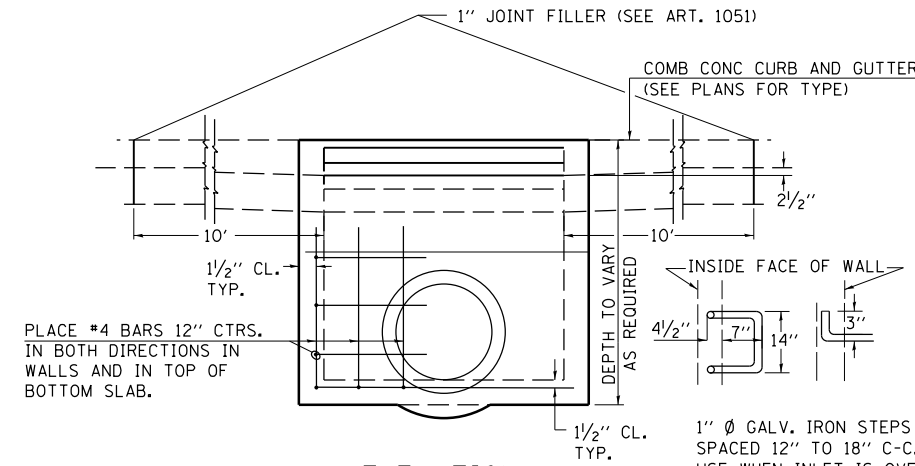
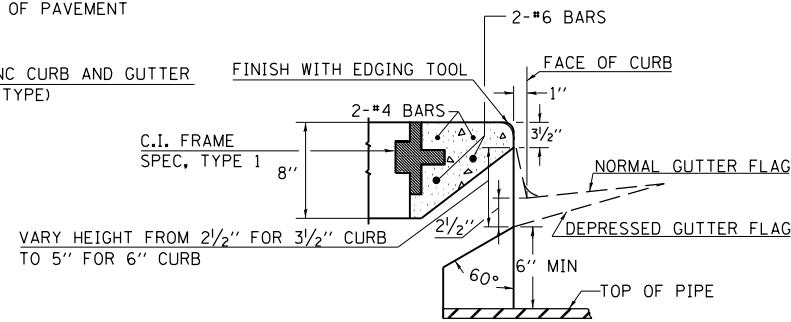


DETAILS OF INLET, SPECIAL



PLAN



| DESIGN | PIPE DIA | "D" |
|--------|------------|-------|
| A | 18" & LESS | 2'-6" |
| B | 21" & 24" | 3'-0" |
| C | 27" & 30" | 3'-7" |
| D | 33" & 36" | 4'-2" |
| E | 42" | 4'-9" |
| F | 48" | 5'-0" |
| G | 54" | 6'-1" |

NOTES:

PROVIDE 1/2" CLEARANCE TYP. ALL REINFORCEMENT UNLESS OTHERWISE SPECIFIED.

CLASS SI CONCRETE SHALL BE USED THROUGHOUT. SET FACE OF INLET 1" BEHIND FACE OF CURB. DEPRESS GUTTER FLOWLINE AT INLET 2 1/2" BELOW NORMAL GUTTER FLOWLINE. CONSTRUCT TRANSITION IN FLOWLINE IN 10 FEET EACH SIDE OF INLET. PIPES TO BE CONNECTED TO INLET AS SHOWN ON STORM SEWER LAYOUT.

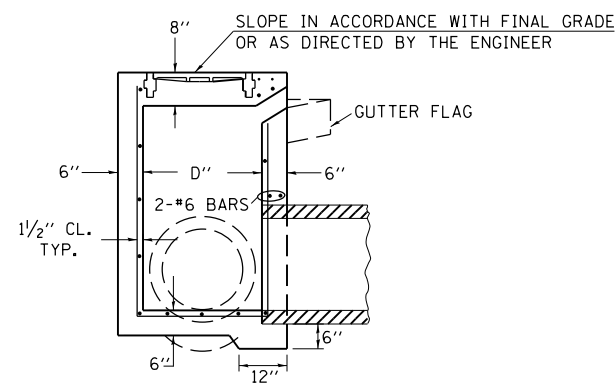
INLETS WILL BE PAID FOR AT THE CONTRACT UNIT PRICE EACH FOR **INLET, SPECIAL, TYPE 3, 5 FEET** OR **INLET, SPECIAL, TYPE 3, 6 FEET** WHICH PRICE SHALL INCLUDE THE CAST IRON FRAME, SPECIAL, TYPE 1 WITH TYPE 1 CLOSED LID, THE REINFORCEMENT BARS, METAL STEPS AND JOINT FILLER.

**THE GALVANIZED IRON STEPS AS DETAILED HEREON ARE TYPICAL. STEPS OF OTHER DESIGN AND MATERIAL THAT WILL CONFORM TO THE MINIMUM REQUIREMENTS OF THE STEPS SHOWN, MAY BE USED WHEN APPROVED BY THE ENGINEER.

IF THE INLET IS NOT CAST IN PLACE THEN THE INLET SHALL BE PRODUCED ACCORDING TO THE DEPARTMENT'S CURRENT POLICY MEMORANDUM, "QUALITY CONTROL/QUALITY ASSURANCE PROGRAM FOR PRECAST CONCRETE PRODUCTS".

NOTE TO DESIGNER:

WHEN USING THIS STANDARD THE DESIGNER SHOULD ALSO CHECK BDE SPECIAL PROVISION 419 "PRECAST CONCRETE PRODUCTS".

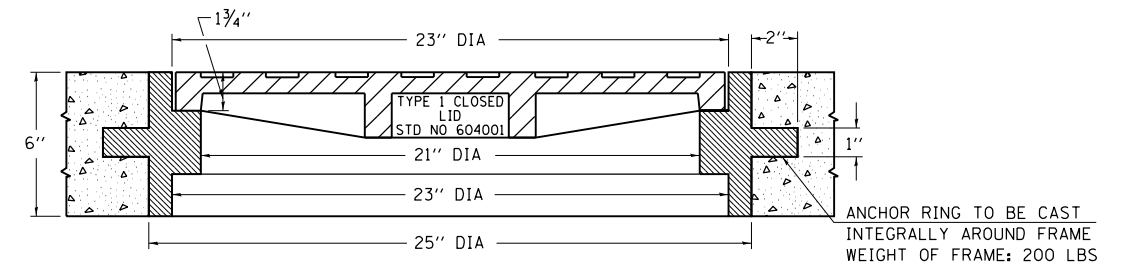


| REVISIONS | | | |
|-----------|---------|---------|---------|
| REDRAWN | 2-15-89 | REVISED | 3-26-08 |
| REVISED | 8-15-94 | REVISED | |
| REVISED | 1-19-99 | REVISED | |
| REVISED | 5-6-04 | REVISED | |

STD. 9-1

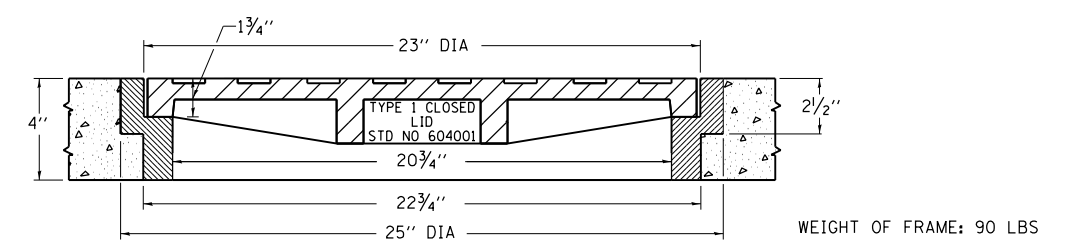
DETAILS OF CAST IRON FRAMES SPECIAL TYPE 1 & TYPE 2 WITH TYPE 1 CLOSED LID

TYPE 1



THE FRAMES MAY BE MADE OF EITHER GRAY IRON CONFORMING TO THE STANDARD SPECIFICATIONS OR DUCTILE IRON CONFORMING TO THE SPECIFICATIONS FOR DUCTILE IRON CASTING, A.S.T.M. DESIGNATION: A536, GRADE 60-45-10.

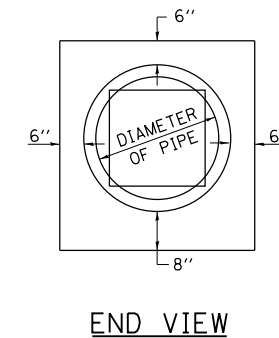
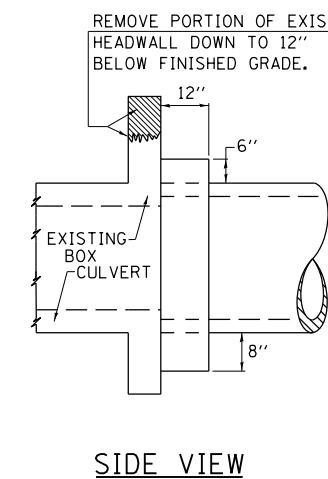
TYPE 2



| REVISIONS | |
|-----------|----------|
| REDRAWN | 2-15-89 |
| REVISED | 12-14-01 |
| REVISED | 3-26-08 |

STD. 9-18

DETAILS OF CONCRETE COLLAR



TABULATION

| DIAMETER OF PIPE | CL SI CONC CU YDS EST |
|------------------|-----------------------|
| 12" | 0.16 |
| 15" | 0.19 |
| 18" | 0.21 |
| 24" | 0.29 |
| 30" | 0.37 |
| 36" | 0.44 |
| 42" | 0.53 |
| 48" | 0.62 |
| 54" | 0.71 |
| 60" | 0.81 |
| 72" | 1.03 |

THE CONCRETE COLLAR SHALL BE PAID FOR AT THE CONTRACT UNIT PRICE PER CUBIC YARD FOR **CONCRETE COLLAR**, AS SHOWN ON THE PLANS, WHICH PRICE SHALL INCLUDE THE REMOVAL OF SUCH PORTIONS OF THE EXISTING HEADWALLS AS MAY BE REQUIRED.

CLASS SI CONCRETE SHALL BE USED THROUGHOUT.

| REVISIONS | |
|-----------|---------|
| REDRAWN | 2-15-89 |
| REVISED | 8-19-94 |
| REVISED | 3-25-08 |

STD. 9-19