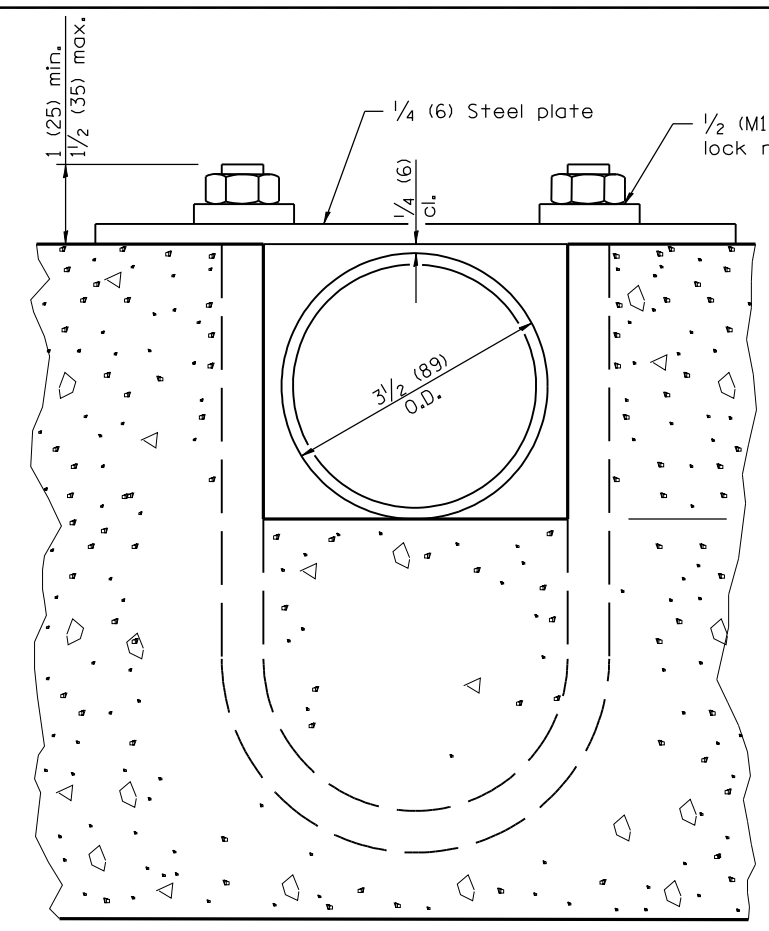
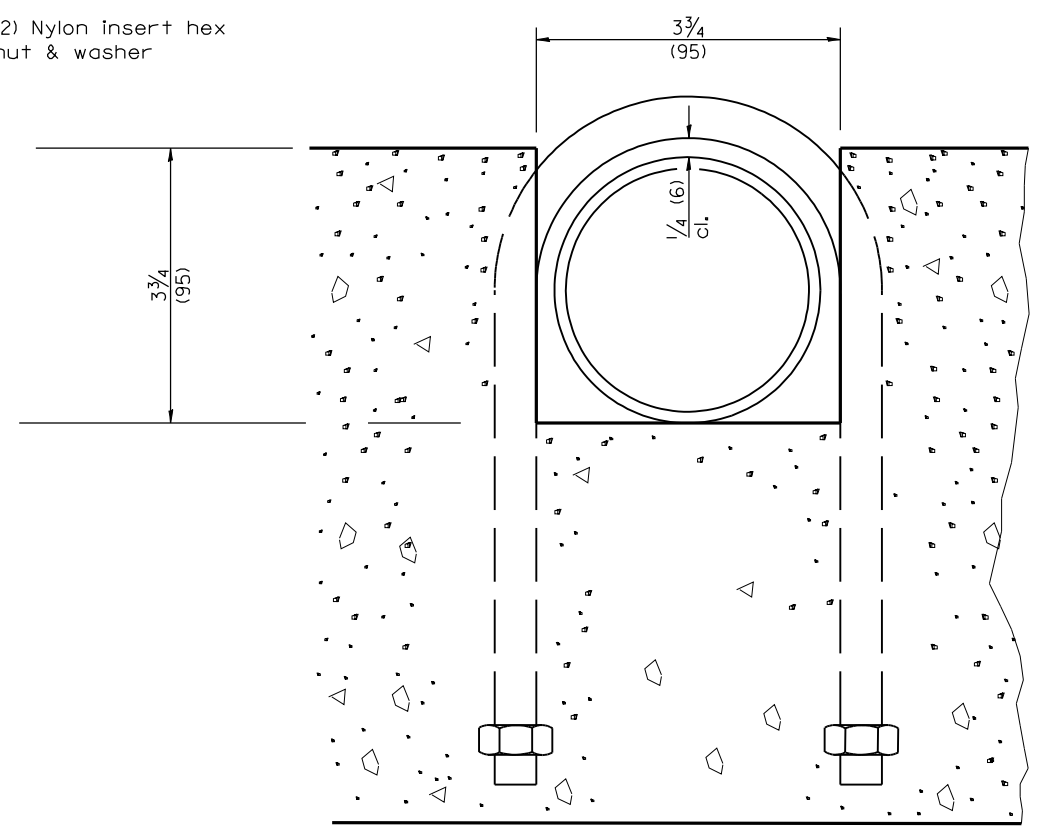


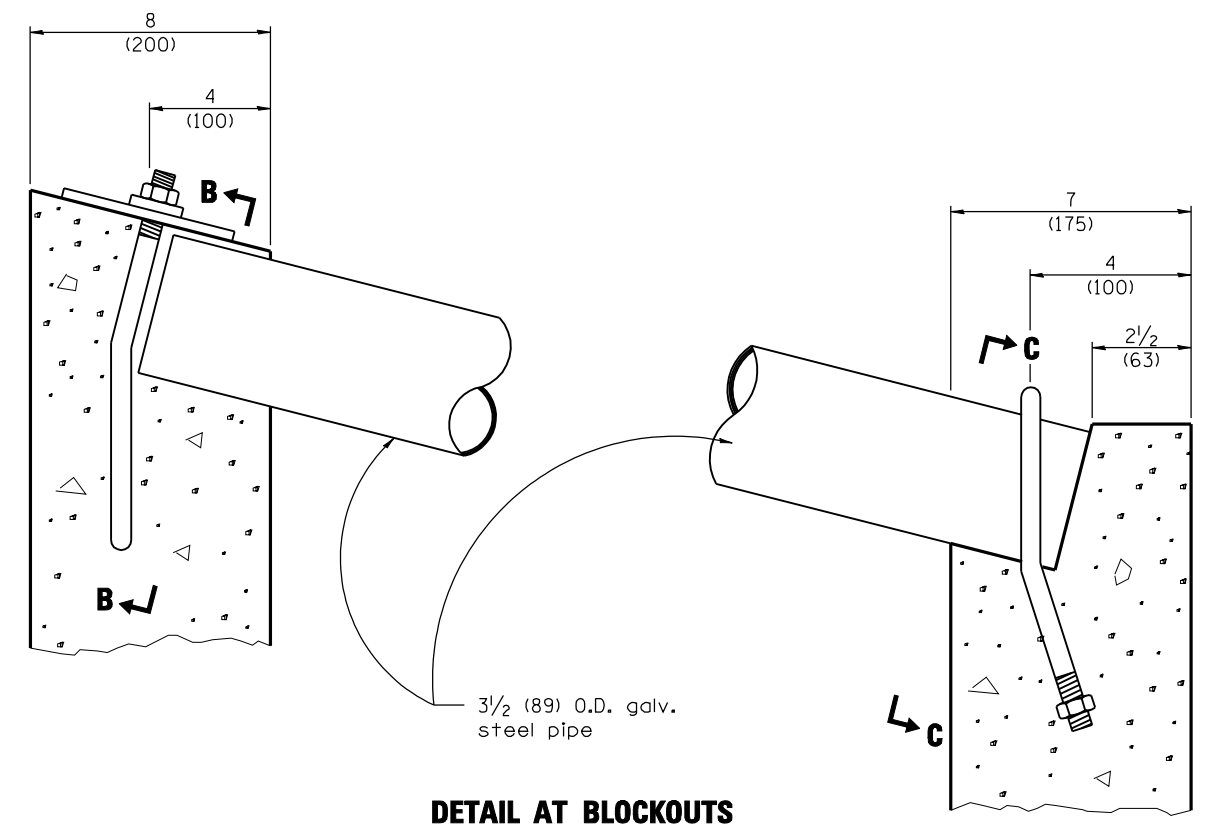
TOP ANCHOR PLATE
(1 - required)



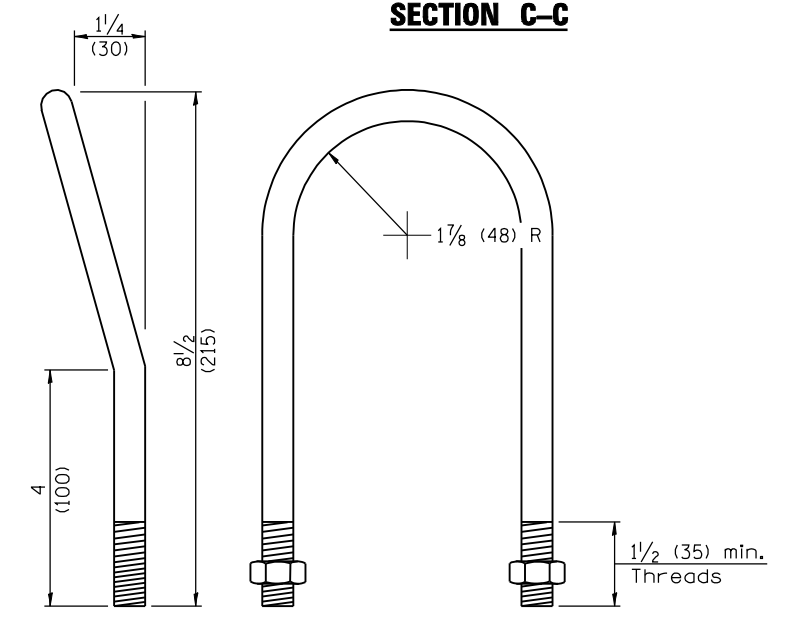
SECTION B-B



SECTION C-C



DETAIL AT BLOCKOUTS



1/2 (M12) U BOLT
(2 - required)

FILE NAME = *FILEL*	USER NAME = *USER*	DESIGNED - JRD	REVISED -	STATE OF ILLINOIS DEPARTMENT OF TRANSPORTATION	CONSTRUCTION DETAILS INLETS, SPECIAL			F.A.I. RTE.	SECTION	COUNTY	TOTAL SHEETS	SHEET NO.	
		DRAWN - MSK	REVISED -		SCALE: N/A	SHEET NO. 2 OF 2 SHEETS	STA.	TO STA.	57	(X1-6-2,X1-5,(X1-4-1BR-1)R-1	WILLIAMSON	202	77
		PLOT SCALE = *SCALE*	CHECKED - SLD										
		PLOT DATE = *DATE*	DATE - 02/01/2013										
											CONTRACT NO. 78334		
											ILLINOIS FED. AID PROJECT		