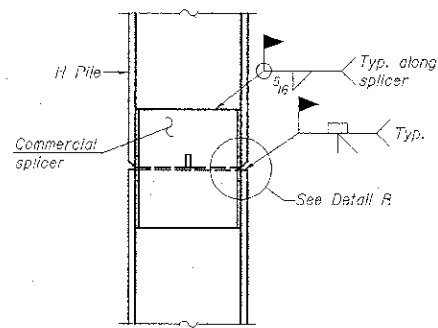
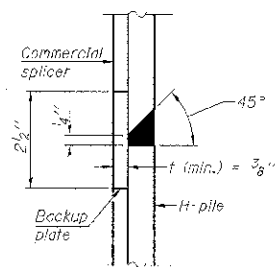


**STEEL PILE TABLE**

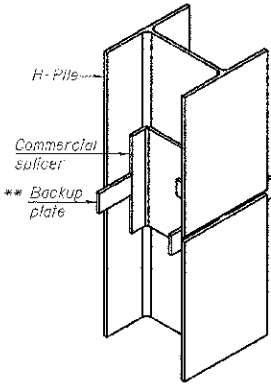
| Designation | Depth<br>d | Flange<br>width<br>b <sub>f</sub> | Web and<br>Flange<br>thickness<br>t | Encasement<br>diameter<br>A |
|-------------|------------|-----------------------------------|-------------------------------------|-----------------------------|
| HP 14x17    | 14 1/4"    | 14 7/8"                           | 5/8"                                | 30"                         |
| x102        | 14"        | 14 3/4"                           | 5/8"                                | 30"                         |
| x89         | 13 7/8"    | 14 3/4"                           | 5/8"                                | 30"                         |
| x73         | 13 5/8"    | 14 5/8"                           | 1/2"                                | 30"                         |
| HP 12x84    | 12 1/4"    | 12 1/4"                           | 5/8"                                | 24"                         |
| x74         | 12 5/8"    | 12 1/4"                           | 5/8"                                | 24"                         |
| x63         | 12"        | 12 1/8"                           | 1/2"                                | 24"                         |
| x53         | 11 5/8"    | 12"                               | 7/16"                               | 24"                         |
| HP 10x57    | 10"        | 10 1/4"                           | 5/8"                                | 24"                         |
| x42         | 9 3/4"     | 10 1/8"                           | 5/8"                                | 24"                         |
| HP 8x36     | 8"         | 8 1/8"                            | 7/16"                               | 18"                         |



**ELEVATION**

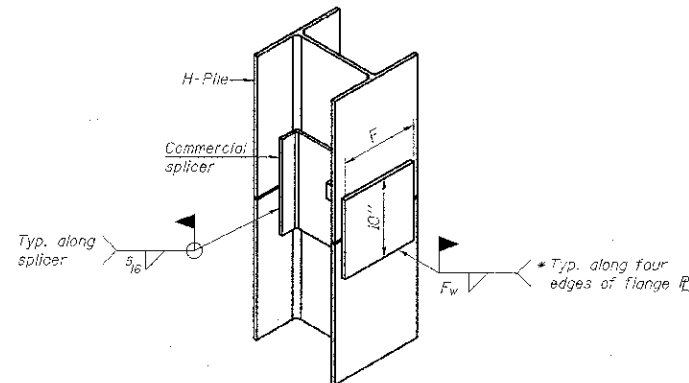


**DETAIL "B"**



**ISOMETRIC VIEW**

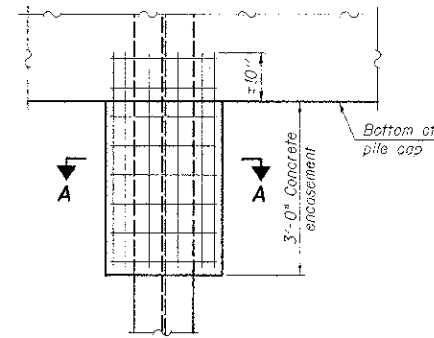
**WELDED COMMERCIAL SPLICE**



**ISOMETRIC VIEW**

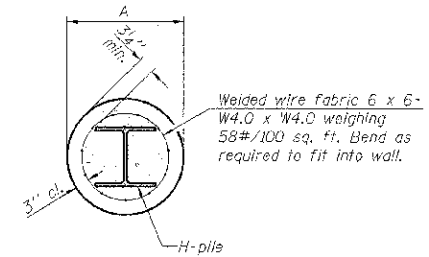
**WELDED COMMERCIAL SPLICE ALTERNATE**

- \* Interrupt welds 1/4" from end of web and/or each flange.
- \*\* Remove portions of backup plates that extend outside the flanges.
- \*\*\* Weld size per pile shoe manufacturer (5/16" min.).



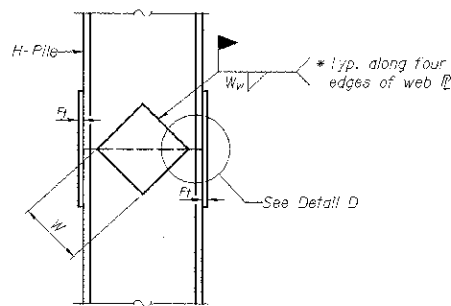
**ELEVATION**

**PILE ENCASEMENT**

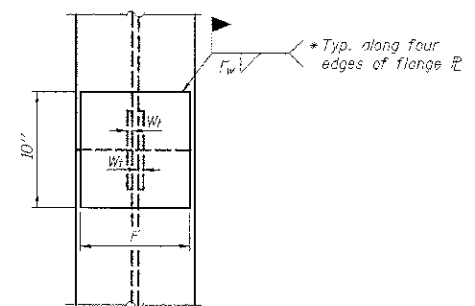


**SECTION A-A**

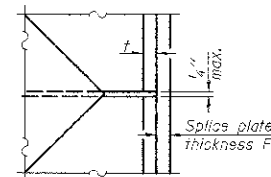
Note:  
Forms for encasement may be omitted when soil conditions permit.



**ELEVATION**



**END VIEW**



**DETAIL D**

**WELDED PLATE FIELD SPLICE**

| Designation | F       | t <sub>f</sub> | F <sub>w</sub> | W      | W <sub>f</sub> | W <sub>w</sub> |
|-------------|---------|----------------|----------------|--------|----------------|----------------|
| HP 14x17    | 12 1/2" | 1"             | 7/8"           | 7 3/4" | 5/8"           | 1/2"           |
| x102        | 12 1/2" | 7/8"           | 3/4"           | 7 3/4" | 5/8"           | 1/2"           |
| x89         | 12 1/2" | 3/4"           | 3/8"           | 7 3/4" | 5/8"           | 1/2"           |
| x73         | 12 1/2" | 5/8"           | 3/8"           | 7 3/4" | 5/8"           | 1/2"           |
| HP 12x84    | 10"     | 7/8"           | 5/8"           | 6 1/2" | 5/8"           | 1/2"           |
| x74         | 10"     | 7/8"           | 1/2"           | 6 1/2" | 5/8"           | 1/2"           |
| x63         | 10"     | 5/8"           | 1/2"           | 6 1/2" | 1/2"           | 3/8"           |
| x53         | 10"     | 5/8"           | 1/2"           | 6 1/2" | 1/2"           | 3/8"           |
| HP 10x57    | 8"      | 3/4"           | 9/16"          | 5 1/4" | 1/2"           | 3/8"           |
| x42         | 8"      | 5/8"           | 9/16"          | 5 1/4" | 1/2"           | 3/8"           |
| HP 8x36     | 7"      | 5/8"           | 7/16"          | 4 1/4" | 1/2"           | 3/8"           |

Note:  
The steel H-piles shall be according to AASHTO M270 Grade 50.

F-HP

1-27-12

**Farnsworth GROUP, INC.**  
2708 McDraw Drive  
Bloomington, Illinois 61704  
309/663-8455, 309/663-1071 fax

DESIGNED - CEE  
CHECKED - JML  
DRAWN - DJM  
DATE 01/16/13  
CHECKED - MSW

REVISED  
REVISED  
REVISED  
REVISED

**STATE OF ILLINOIS  
DEPARTMENT OF TRANSPORTATION**

**HP PILE DETAILS  
STRUCTURE NO. 053-4204**

T.R. 54 SECTION 11-7129-01-9R COUNTY LIVINGSTON TOTAL SHEET NO. 12 CONTRACT NO. 87503 ILLINOIS FED. AID PROJECT

SHEET NO. 07 OF 9 SHEETS