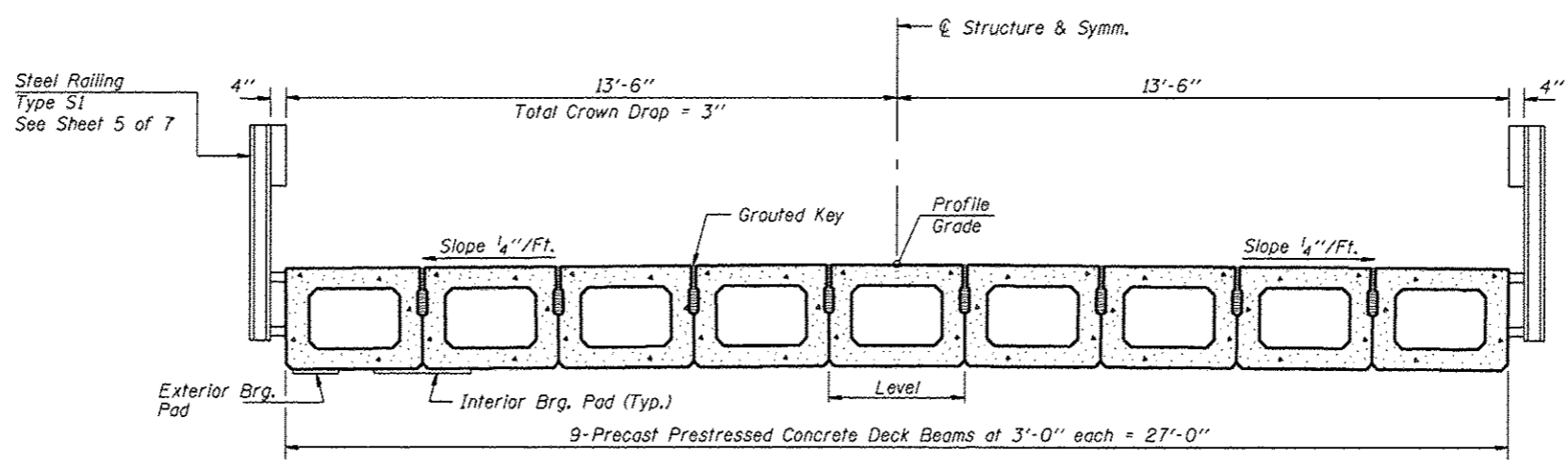
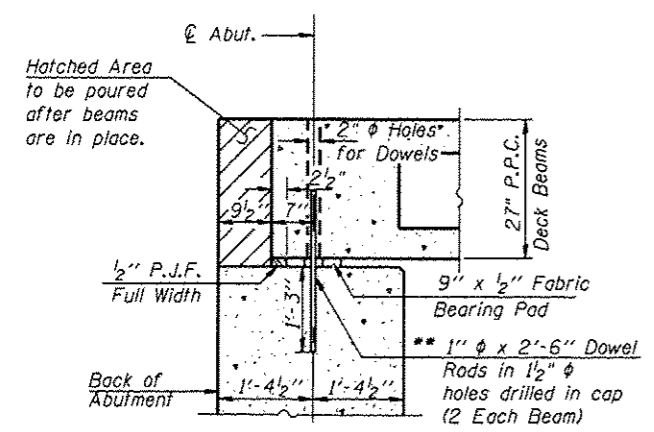


RAIL ELEVATION



CROSS SECTION



SECTION THRU ABUT.

** After beams have been erected, holes shall be drilled into substructure and anchor dowels placed. Dowel holes shall be filled with non-shrink grout to top of beam and allowed to cure min. 24 hrs. prior to grouting the shear keys.

Notes:
See Sheet 2 & 3 of 7 for Superstructure
See Sheet 5 of 7 for Steel Railing, Type S1

CEC Civil and Structural Engineering	Cummins Engineering Corporation	JOB = 2228	DESIGNED	A.A.N.
		FILE = 2228super.dgn	CHECKED	M.D.C.
		DATE = 5/14/2009	DRAWN	T.S.H.
			CHECKED	M.D.C.

Sheet 4 of 7	RTE.	SECTION	COUNTY	TOTAL SHEETS	SHEET NO.
	CH 10	08-00092-00-BR	MACOUPIN	23	13
	CONTRACT NO.			93595	
FED. ROAD DIST. NO.		ILLINOIS FED. AID PROJECT			