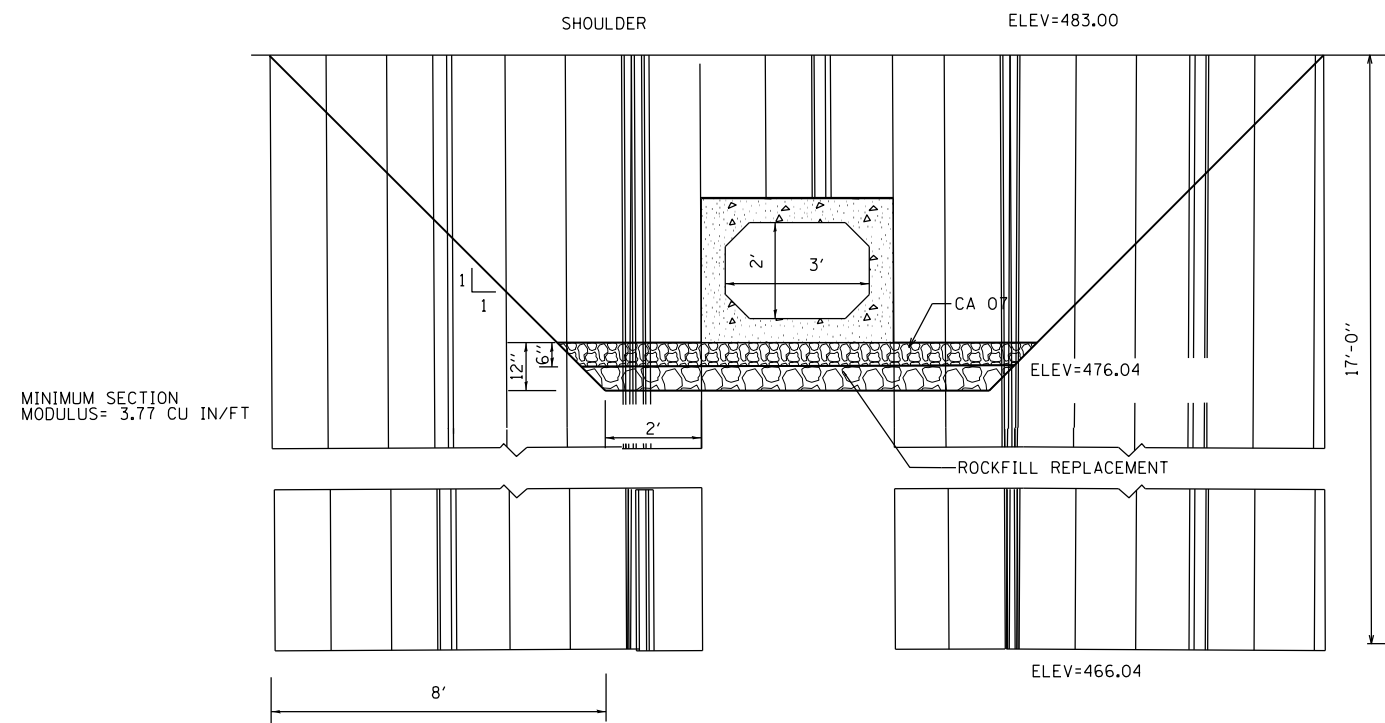
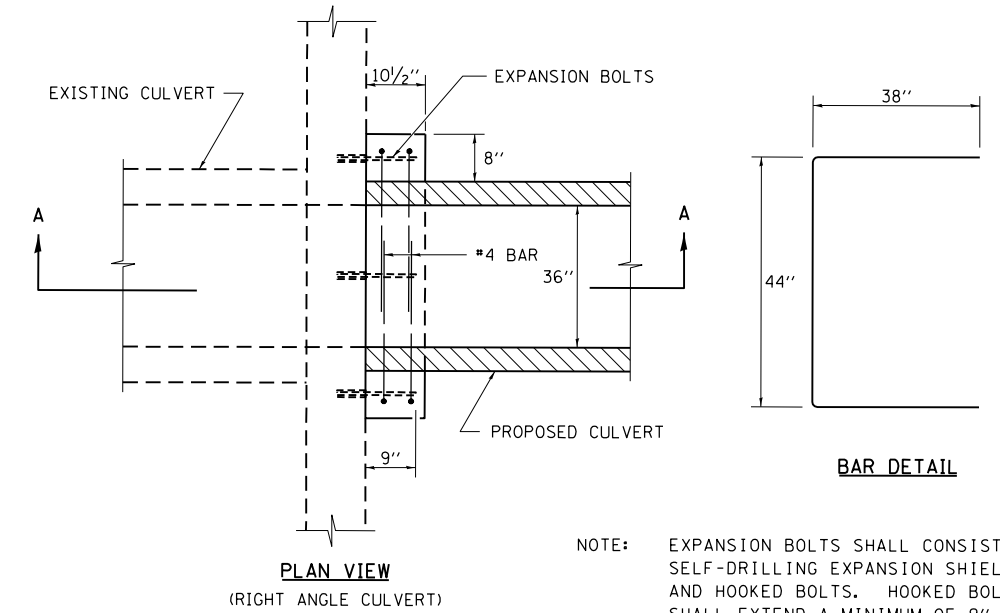


CULVERT PLAN VIEW: STA 434+16

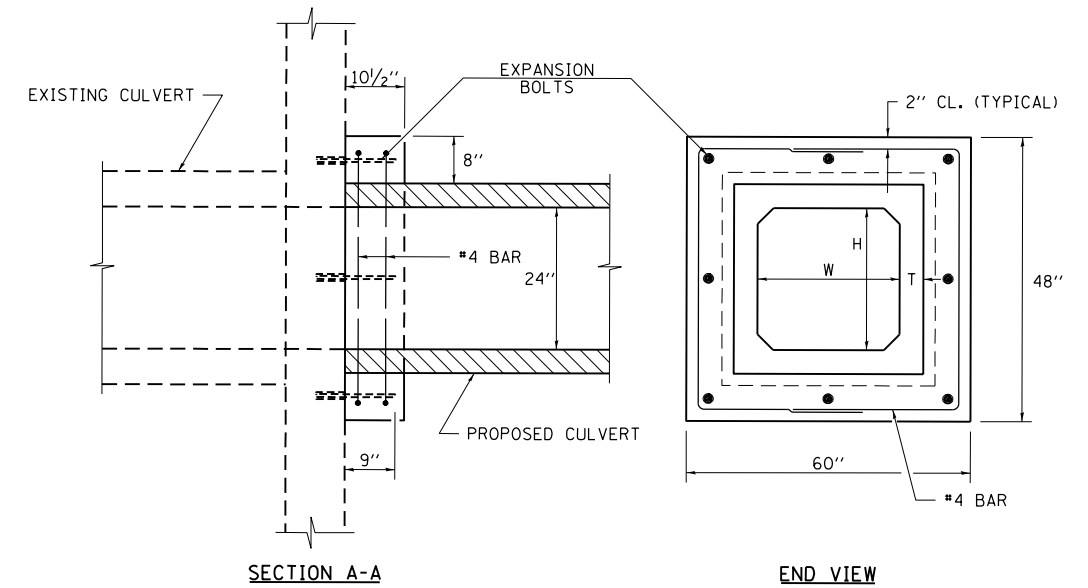


CULVERT ELEVATION VIEW



BAR DETAIL

NOTE: EXPANSION BOLTS SHALL CONSIST OF SELF-DRILLING EXPANSION SHIELDS AND HOOKED BOLTS. HOOKED BOLTS SHALL EXTEND A MINIMUM OF 9" INTO THE NEW CONCRETE.



CULVERT EXTENSION SCHEDULE

	UNIT	LT	RT	TOTAL
PRECAST BOX CULVERT, 3 X 2	FOOT	13	14	27
PRECAST END SECTION	EACH	1	1	2
EXPANSION BOLTS, 3/4"	EACH	8	8	16
CONCRETE COLLAR	CU YD	0.8	0.8	1.6
REINFORCEMENT BARS	POUND	40	40	80
REM & DISP UNSUIT MATERIAL	CU YD	5.6	5.9	11.5
PIPE CULVERT REMOVAL	FOOT	15	16	31
REMOVE EX FLARED END SECTION	EACH	1	1	2
TEMPORARY SHEET PILING	SQ FT	282	282	564
ROCKFILL REPLACEMENT	TON	12	12	24
SEEDING CLASS 2 SPECIAL	ACRE	.25	.25	.50

FILE NAME =	USER NAME = steffenmk	DESIGNED -	REVISED -
c:\pwork\pwork\stevfenmk\d0263618\0784977-sh1-details.dgn		DRAWN -	REVISED -
PLOT SCALE = 100.0000' / 1in.		CHECKED -	REVISED -
PLOT DATE = 10/15/2012		DATE -	REVISED -

STATE OF ILLINOIS
DEPARTMENT OF TRANSPORTATION

CULVERT & COLLAR DETAILS

SCALE: NA SHEET NO. 1 OF 1 SHEETS STA. TO STA.

F.A.R. RT.	SECTION	COUNTY	TOTAL SHEETS	SHEET NO.
332	(16.17.18)RS-2	LAWRENCE	40	25
CONTRACT NO. 94977				
ILLINOIS FED. AID PROJECT				