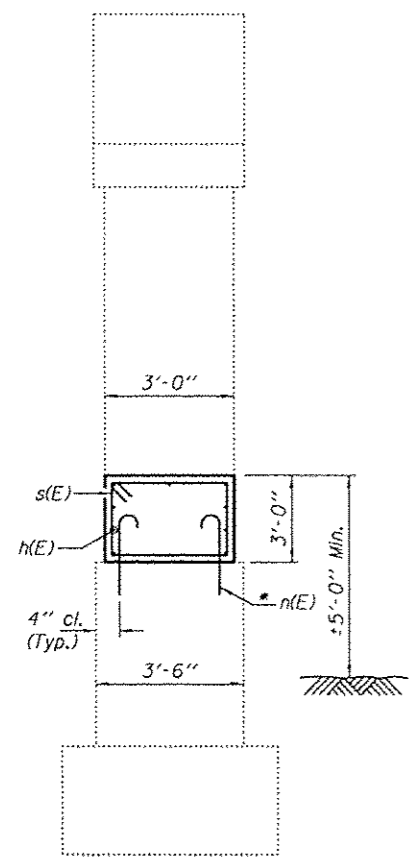
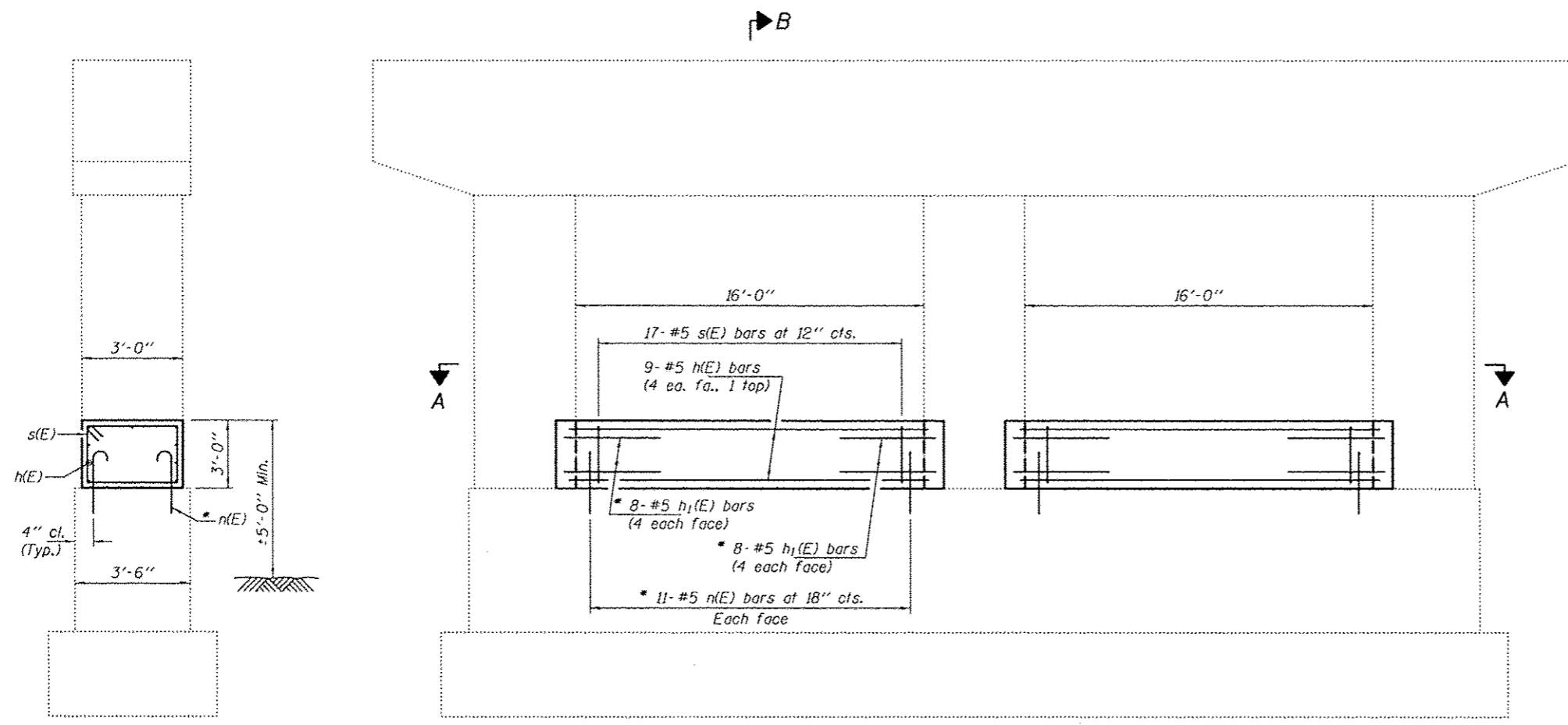


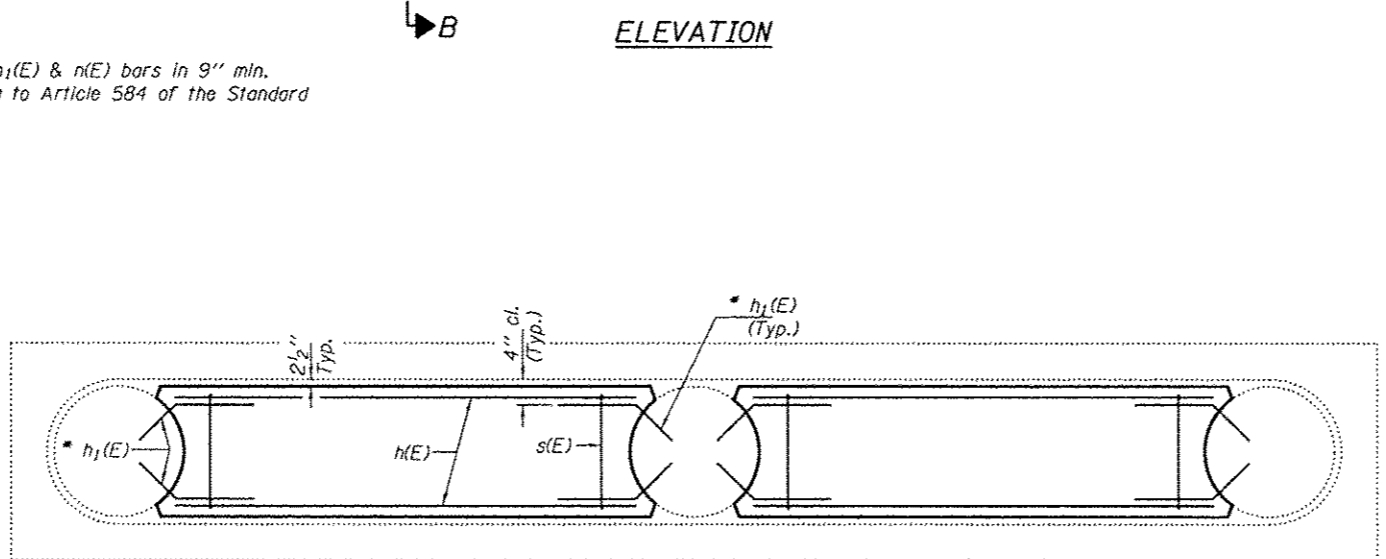
NOTES

The cost of epoxy grouting threaded rods shall be included with Reinforcement Bars, Epoxy Coated.
 Plan dimensions and details relative to existing plans are subject to nominal construction variations. The Contractor shall field verify existing dimensions and details affecting new construction and make necessary approved adjustments prior to construction or ordering of materials. Such variations shall not be cause for additional compensation for a change in scope of the work, however, the Contractor will be paid for the quantity actually furnished at the unit price bid for the work.
 Reinforcement bars designated (E) shall be epoxy coated.

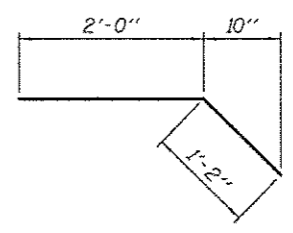


SECTION B-B

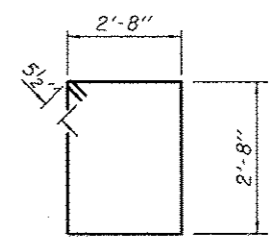
* Epoxy grout h₁(E) & n(E) bars in 9" min. holes according to Article 584 of the Standard Specifications.



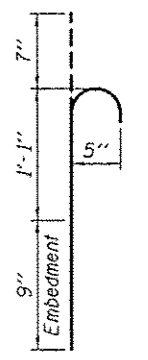
SECTION A-A



BAR h₁(E)



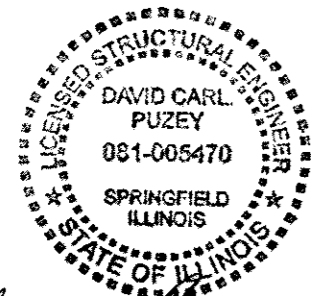
BAR s(E)



BAR n(E)

BILL OF MATERIAL

Bar	No.	Size	Length	Shape
n(E)	18	#5	16'-4"	—
h ₁ (E)	32	#5	3'-2"	—
n(E)	44	#5	2'-5"	—
s(E)	34	#5	11'-7"	□
Concrete Structures			Cu. Yd.	11.0
Reinforcement Bars, Epoxy Coated			Pound	930



*David Carl Puzey 2/21/13
 Expires 11/30/14*