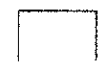


F.A.S.	SECTION	COUNTY	TOTAL SHEETS	SHEET NO.
2815	10-20055-00-RS	EDWARDS	7	7
FED. ROAD DIST. NO. 7	ILLINOIS	WEST VILLAGE RD		
LEC JOB # M111002ED	CONTRACT # 95690			

BILL OF MATERIAL

Bar	No.	Size	Length	Shape
L	6	#4	9'-10"	
Concrete Collar			Cu. Yd.	1.1
Reinforcement Bars			Pound	40
Expansion Bolts 3/4"			Each	8

323 W. 3RD. ST.
P.O. BOX 160
MT. CARMEL, IL
62853
PHONE:
(618)-262-8951
FAX:
(618)-263-3927

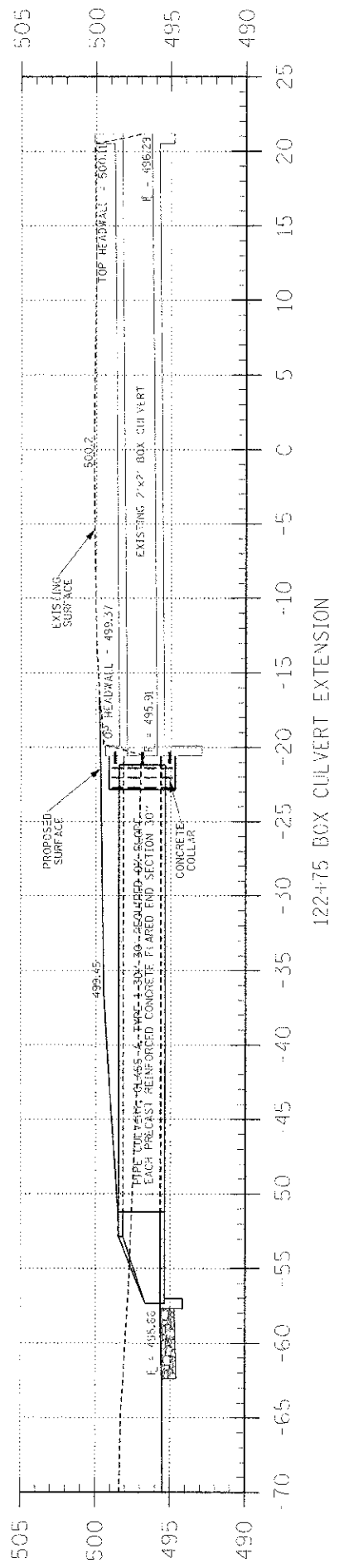
405 W. STATE ST.
SUITE 1
PRINCETON, IN
47070
PHONE:
(812)-396-7611
FAX:
(812)-385-2012



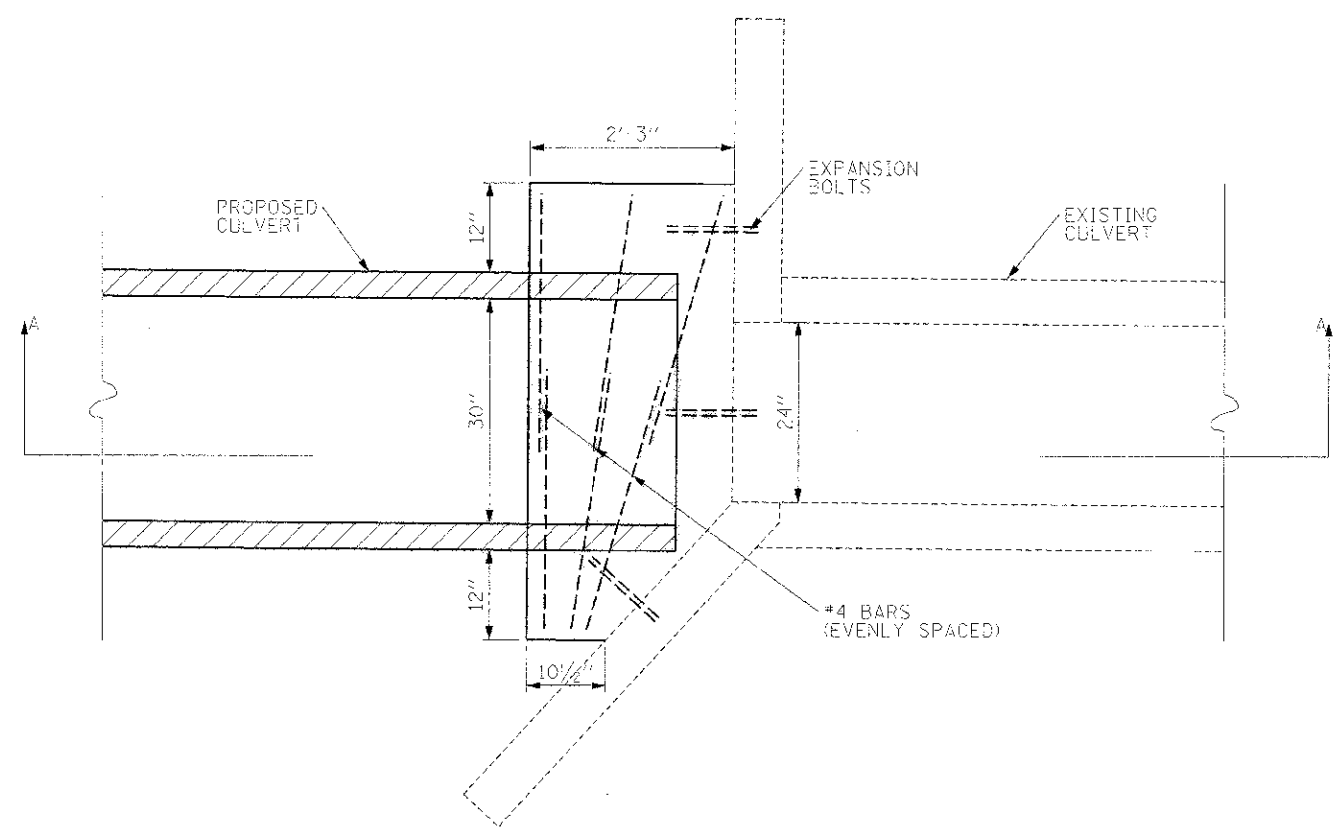
PROFESSIONAL DESIGN FIRM
LAND SURVEY &
PROFESSIONAL
ENGINEERING
CORPORATION
184-000887
(62-032436)(33-002/69)



AARON M. MEFFORD
NAME
Aaron Mefford
SIGNATURE
DATE
2-1-13
11-30-13
EXPIRES

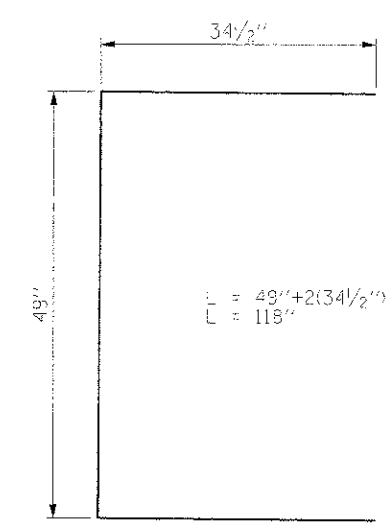


122x75 BOX CULVERT EXTENSION

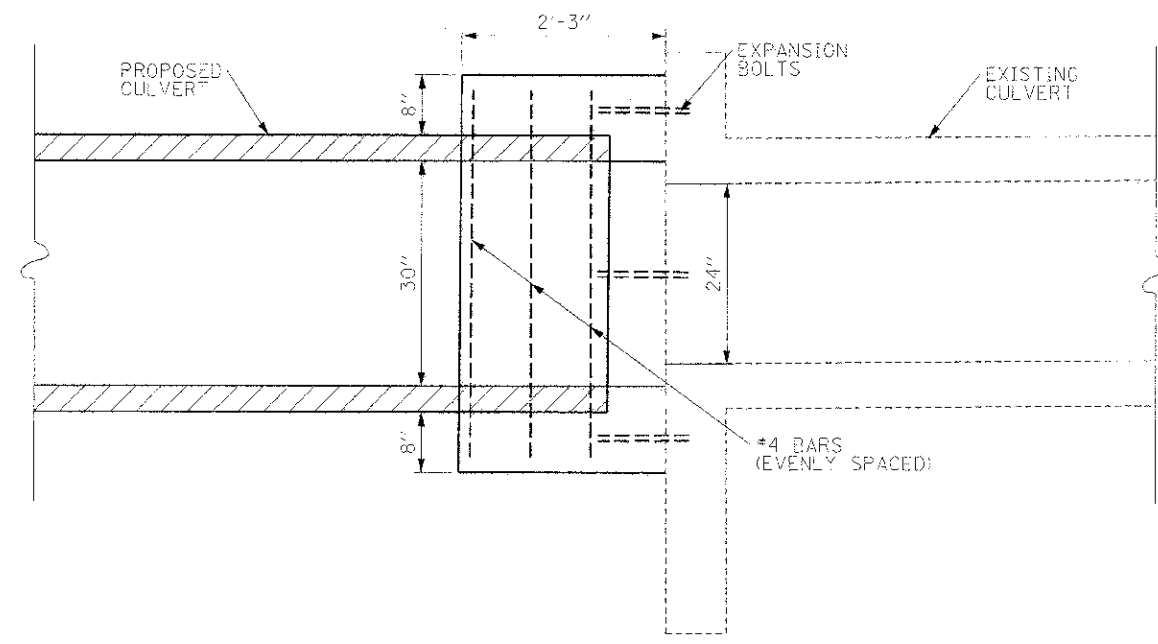


PLAN VIEW

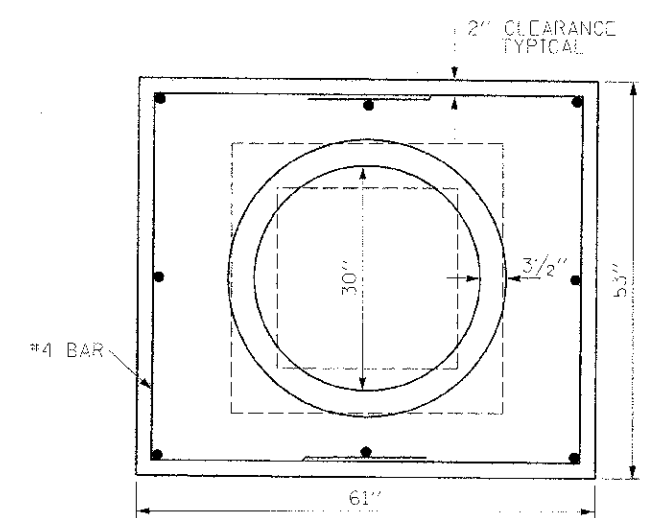
- NOTE:
1. USE MINIMUM OF 3/4" DIA. EXPANSION BOLT AT ±6" FROM EACH CORNER.
 2. EXPANSION BOLTS SHALL BE 3/4" DIA. HOOKED BOLTS. HOOKED BOLTS SHALL EXTEND A MINIMUM OF 9" INTO NEW CONCRETE.



BAR DETAIL



SECTION A-A



END VIEW