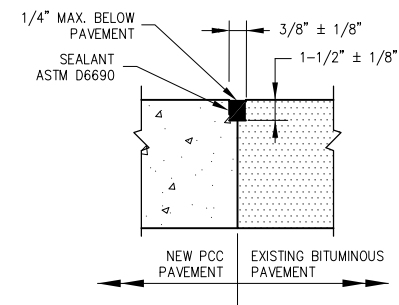


**NOTES:**

1. 4" TOPSOIL TO BE PLACED WHERE APPLICABLE.
2. FOR ADDITIONAL INFORMATION SEE CROSS SECTIONS, GRADING PLAN AND LANDSCAPING PLAN.

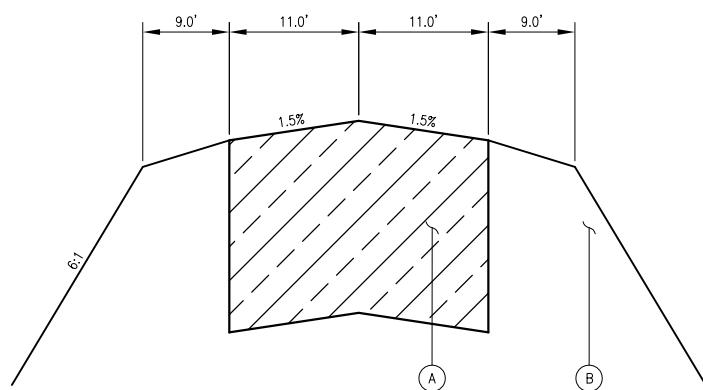
**TAXIWAY AND APRON TYPICAL SECTION**

PAVEMENT LEGEND	
①	PROPOSED 6 INCH PCC, ITEM AR501506.
②	PROPOSED 4 INCH CRUSHED AGGREGATE BASE COURSE, ITEM AR209604.
③	PROPOSED 6 INCH MILLINGS SUBBASE, ITEM AR800589.
④	PROPOSED TOPSOIL, ITEM AR905510 AND AR905520. SEEDING AND MULCHING AREAS, ITEMS AR901510 AND AR908510.



**NOTE:**  
ALL BITUMINOUS/PCC JOINT SEALING TO BE PAID UNDER SAW AND SEAL BITUMINOUS JOINTS, ITEM AR401660.

**BITUMINOUS/PCC SEAL**



**NOTES:**

1. 4" TOPSOIL TO BE PLACED WHERE APPLICABLE.
2. FOR ADDITIONAL INFORMATION SEE CROSS SECTIONS, GRADING PLAN AND LANDSCAPING PLAN.

**HAUL ROUTE TYPICAL SECTION**

PAVEMENT LEGEND	
Ⓐ	PROPOSED 24.0 INCH MILLINGS SUBBASE, ITEM AR800423.
Ⓑ	PROPOSED TOPSOIL, ITEM AR905510 AND AR905520. SEEDING AND MULCHING AREAS, ITEMS AR901510 AND AR908510.

DATE	REVISION

MT. VERNON AIRPORT  
  
 MT. VERNON, ILLINOIS  
 SBG PROJ.: 3-17-0074-BZ7  
 IL PROJ.: MW-4197

Hanson Project No.	12A0044D	LAYOUT	LDH	12/17/12
Filename	04-G-004-TYP.DWG	DRAWN	LDH	12/17/12
Scale	N/A	REVIEWED	BSS	2/21/13
Date	3/1/13			

© Copyright Hanson Professional Services Inc. 2013  
 Hanson Professional Services Inc.  
 1525 South Wood Street  
 Springfield, Illinois 62703-2886

CONSTRUCT APRON AND TAXIWAY IN SOUTH FRONTAL AREA  
 TYPICAL SECTIONS AND PAVEMENT DETAILS