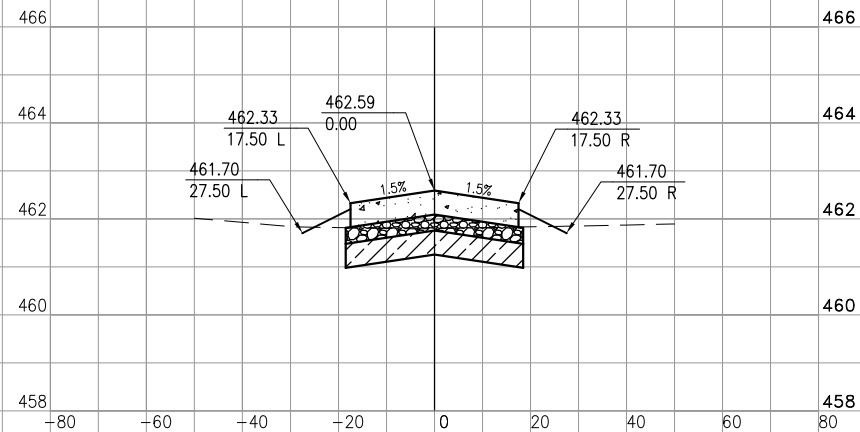
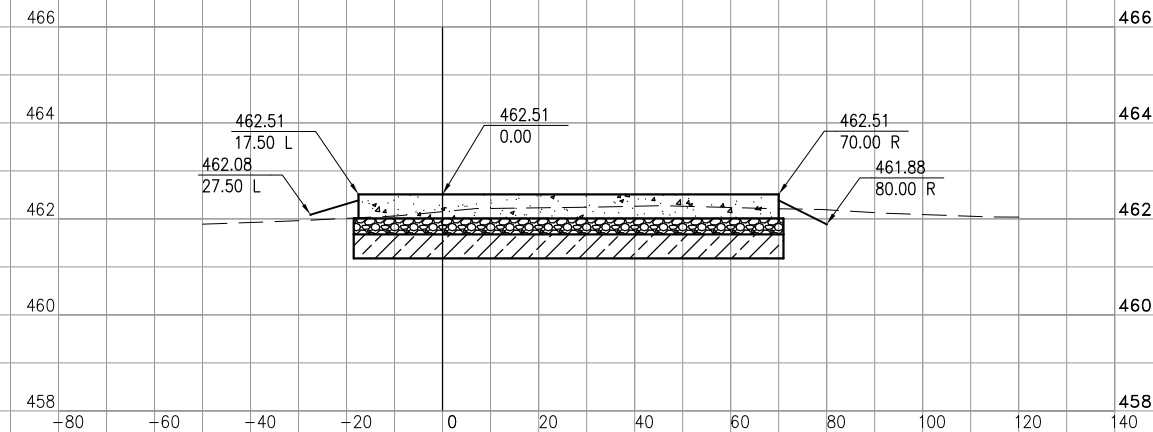


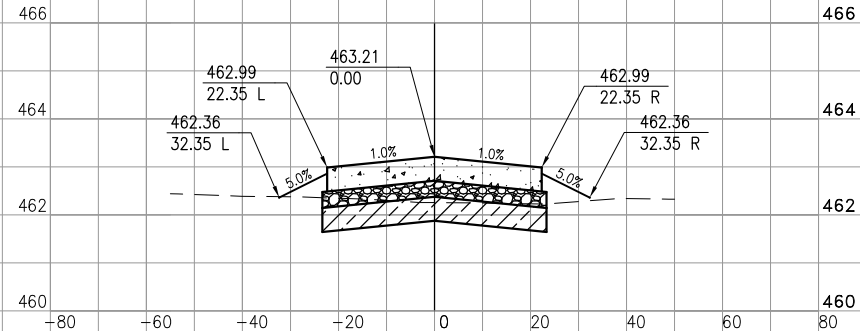
STA.
1+00



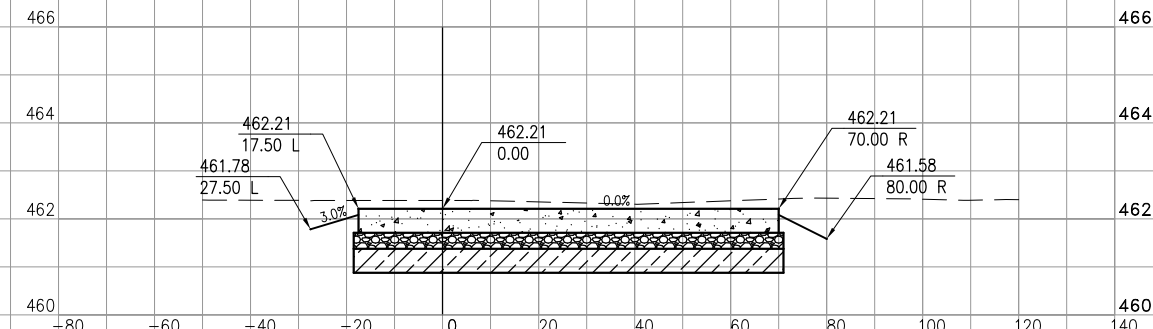
STA.
2+50



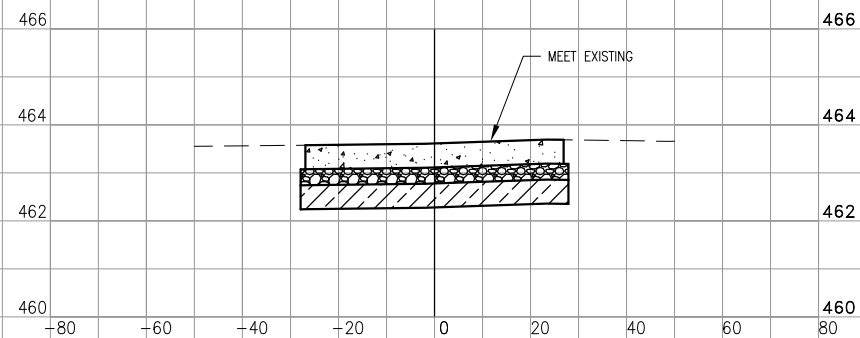
STA.
0+50



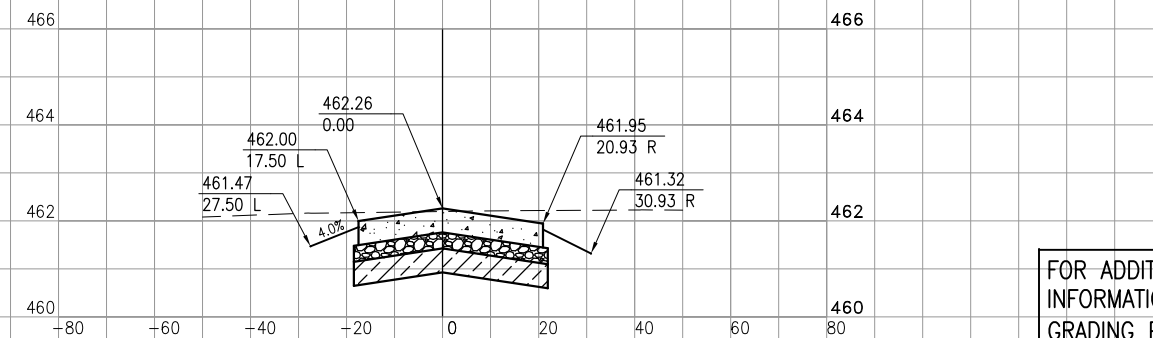
STA.
1+90



STA.
0+26



STA.
1+50



FOR ADDITIONAL GRADING
INFORMATION, SEE
GRADING PLAN (TYP.)

FEB 20, 2013 2:19 PM HAUSM00682

REVISION
DATE

MT. VERNON AIRPORT
MT. VERNON, ILLINOIS

IL PROJ.: MNV-4197 SBG PROJ.: 3-17-0074-B27

Hanson Project No.	12A0044D	LAYOUT	LDH	12/14/12
Filename	12-C-300-TX01.DWG	DRAWN	LDH	12/14/12
Scale	H=1:20; V=1:2	REVIEWED	BSS	2/21/13
Date	3/1/13			

HANSON
© Copyright Hanson Professional Services Inc. 2013
Hanson Professional Services Inc.
1525 South Alton Street
Springfield, Illinois 62703-2886

CONSTRUCT APRON AND
TAXIWAY IN SOUTH
FRONTAL AREA
TAXIWAY AND APRON
CROSS SECTIONS