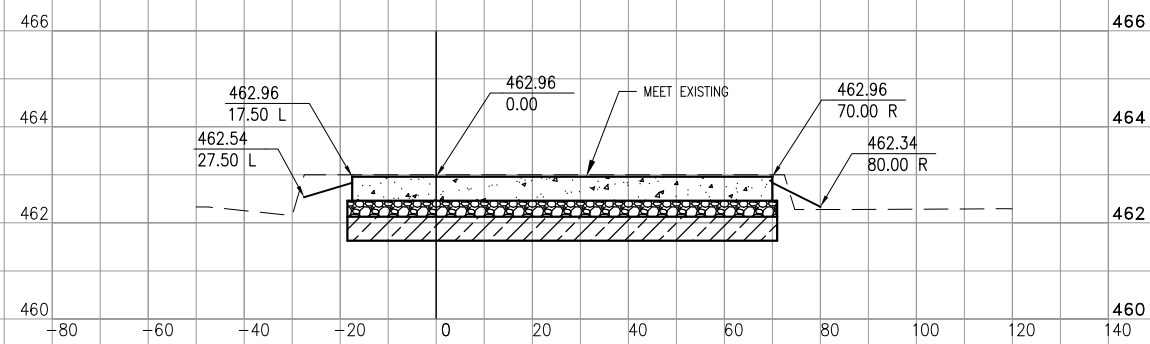
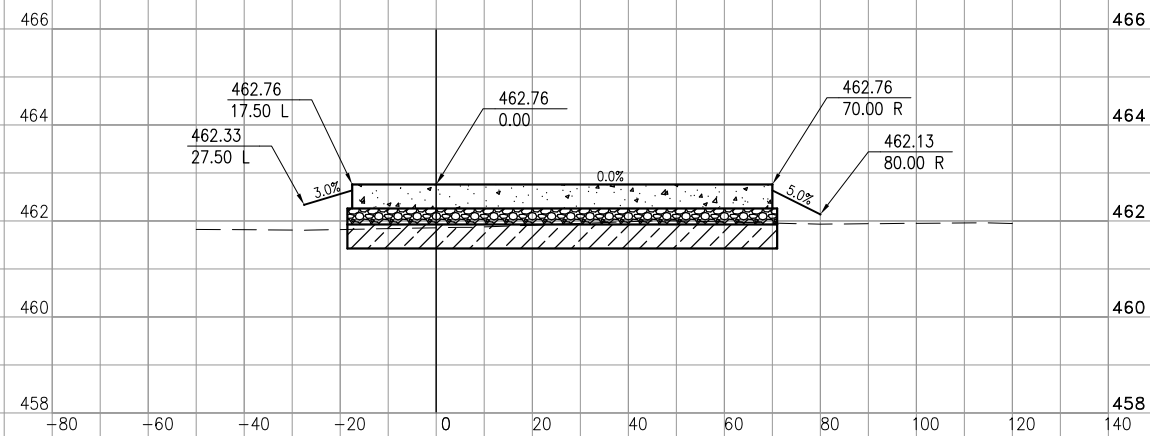


FEB 20, 2013 2:19 PM HAUSM00682

STA.
3+40



STA.
3+00



FOR ADDITIONAL GRADING
INFORMATION, SEE
GRADING PLAN (TYP.)

REVISION	DATE

MT. VERNON AIRPORT

 MT. VERNON, ILLINOIS
 IL. PROJ.: MW-4197 SBG PROJ.: 3-17-0074-B27

Hanson Project No. 12A0044D	LAYOUT	LDH	12/14/12
Filename 13-C-301-TX02.DWG	DRAWN	LDH	12/14/12
Scale H=1/20; V=1/2	REVIEWED	BSS	2/21/13
Date 3/1/13			

HANSON
 © Copyright Hanson Professional Services Inc. 2013
 Hanson Professional Services Inc.
 1525 South Main Street
 Springfield, Illinois 62703-2886

CONSTRUCT APRON AND
TAXIWAY IN SOUTH
FRONTAL AREA
 TAXIWAY AND APRON
CROSS SECTIONS