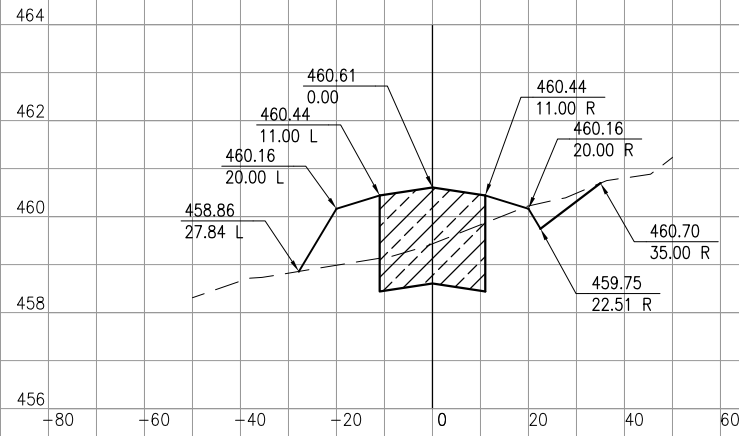
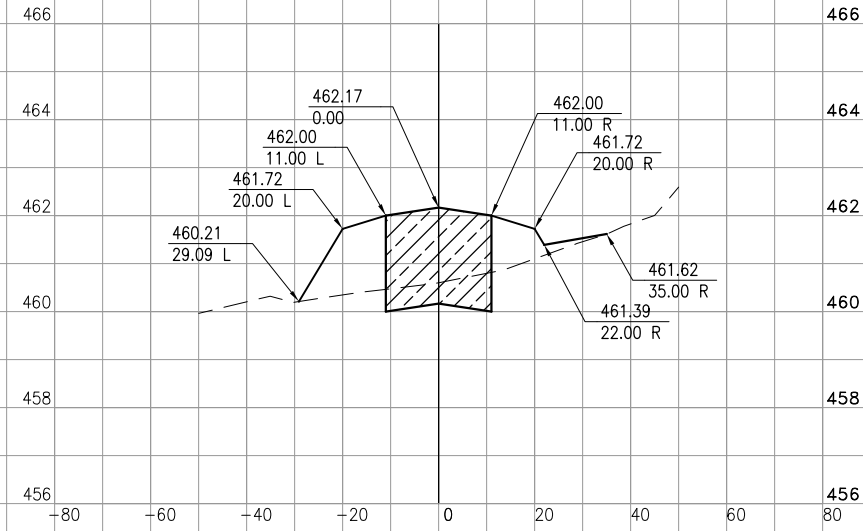


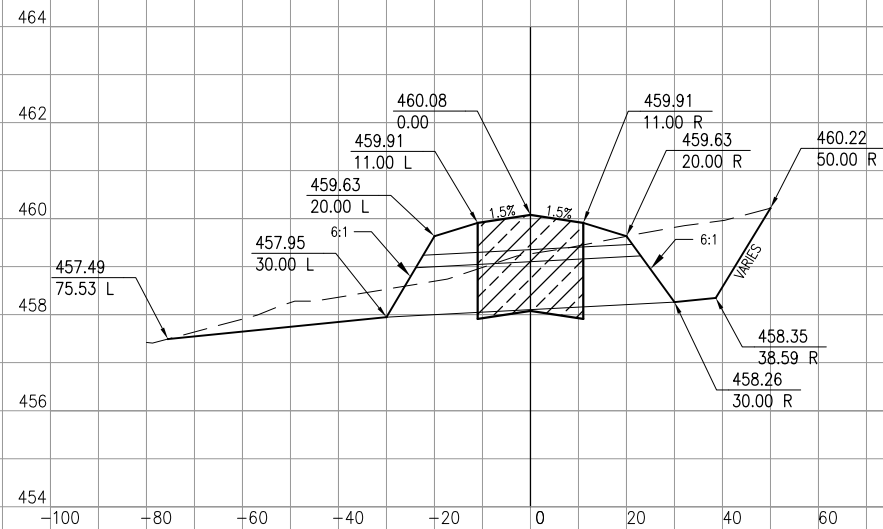
STA. 101+50



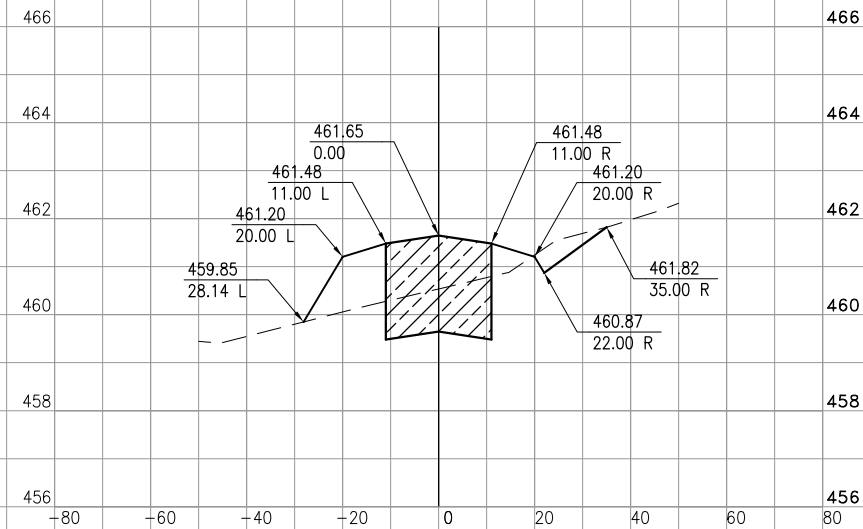
STA. 103+00



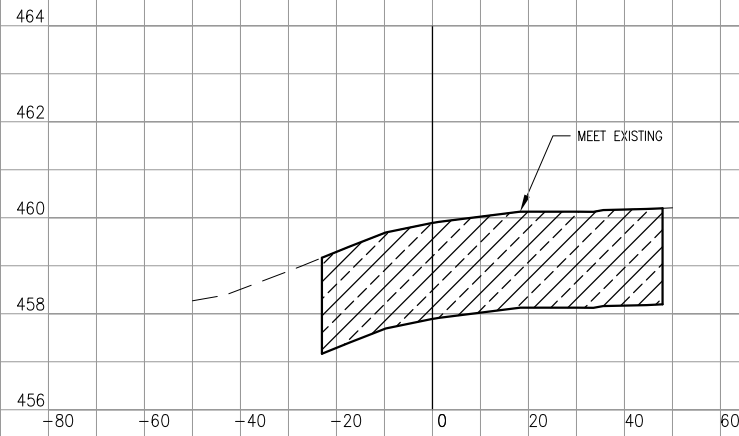
STA. 101+00



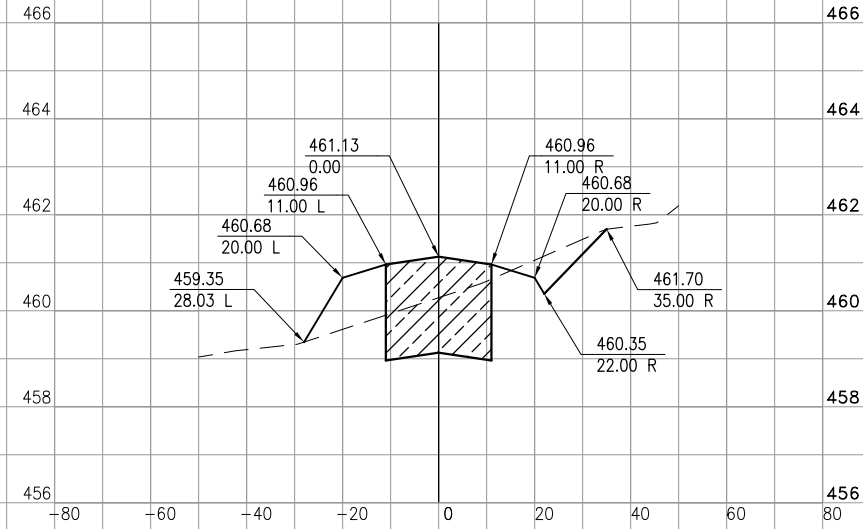
STA. 102+50



STA. 100+50



STA. 102+00



FOR ADDITIONAL GRADING INFORMATION, SEE GRADING PLAN (TYP.)

REVISION

DATE

MT. VERNON AIRPORT



SBG PROJ.: 3-17-0074-B27

IL PROJ.: MW-4197

Hanson Project No. 12A0044D

Filename 14-C-302-HALLO3.DWG

Scale H=1:20; V=1:2

Date 3/1/13

LAYOUT LDH 12/14/12

DRAWN LDH 12/14/12

REVIEWED BSS 2/21/13



© Copyright Hanson Professional Services Inc. 2013
 Hanson Professional Services Inc.
 1525 South Wood Street
 Springfield, Illinois 62703-2886

CONSTRUCT APRON AND TAXIWAY IN SOUTH FRONTAL AREA

HAUL ROAD CROSS SECTIONS